

CONTENTS

CHAP 1	PREFACE	2
CHAP 2	INSTALLATION	2
2.1	UNPACKING	2
2.2	POSITIONING.....	2
2.3	ELECTRICAL CONNECTION	3
2.4	PLUMBING CONNECTION.....	3
2.5	CONNECTION TO THE DRAIN LINE	4
CHAP 3	RISKS AND IMPORTANT WARNINGS	4
CHAP 4	USING YOUR APPLIANCE	5
4.1	SYMBOLS USED.....	5
4.2	STARTING UP.....	5
4.3	LOADING AND WARMING UP	5
4.4	WASHING CYCLE.....	5
4.5	TURNING OFF THE APPLIANCE.....	6
4.6	DISCHARGING THE APPLIANCE.....	7
4.6.1	<i>Models without discharging pump</i>	7
4.6.2	<i>Models with discharging pump</i>	7
4.7	REGENERATING THE ION EXCHANGE RESINS	7
4.8	END OF SERVICE.....	8
CHAP 5	MAINTANANCE	8
5.1	HYGIENE AND CLEANING.....	8
5.2	ROUTINE MAINTENANCE (DAILY).....	8
5.3	WEEKLY MAINTENANCE.....	9
5.4	ANNUAL MAINTENANCE	10
CHAP 6	ADJUSTMENTS AND SETTINGS	10
6.1	DISPENSER.....	10
6.1.1	<i>Rinse agent dispenser</i>	10
6.1.2	<i>Models with no detergent metering unit</i>	11
6.1.3	<i>Models with detergent dispenser (available on request)</i>	11
CHAP 7	DEINSTALLATION	12
CHAP 8	DISPOSAL	12
8.1	CORRECT DISPOSAL OF THIS PRODUCT	12

In legal terms, the manufacturer reserves the property of this document. It is forbidden to reproduce it or divulge it with any means without prior written authorisation.

The manufacturer reserves the right to introduce changes in order to achieve the improvements it deems necessary without prior notice.

Failure to follow the instructions provided in the attached documentation may jeopardize safety of the appliance and immediately cancel the warranty.



The warnings contained in this manual provide important information regarding safety during the various installation, operation and maintenance stages.

Carefully store all documentation near the appliance; give it to the technicians and operators who will be using it. **It is the operator's duty to read, understand and learn this manual before starting any operation on the machine.** The appliance is intended for the professional washing of dishes for communities, so installation, use and maintenance must in all cases to be performed by trained personnel who follow the manufacturer's instructions. Do not leave within the reach of children. The choice of materials, construction in conformity with CE safety directives and complete testing ensure the quality of this machine. In addition to this manual, you will find in the machine:

- wiring diagram
- topographic table

The manufacturer declines all responsibility for damage to things or injuries to persons deriving from failure to comply with the instructions given or from improper use of the machine.

Chap 2 INSTALLATION

Proper installation is essential in order for the machine to operate well. Some of the data needed for machine installation can be found on the data plate placed on the right side of the machine and in duplicate on the cover of this manual.



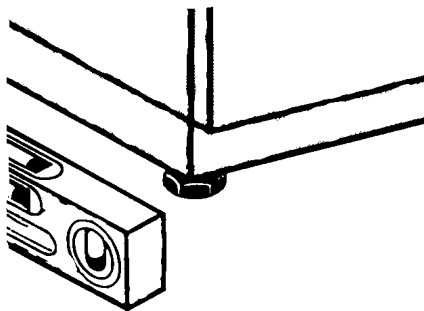
Only qualified, authorised technicians must install the machine.

2.1 Unpacking

Check that the packing is in perfect condition and write down any damage found on the delivery note. After you have removed the packing, **make sure the appliance is intact.** If the machine is damaged, immediately notify the dealer by fax or by registered letter with advice of receipt and the haulage contractor that transported it. If the damage is such as to jeopardize machine safety, do not install and/or use until a qualified technician services it.

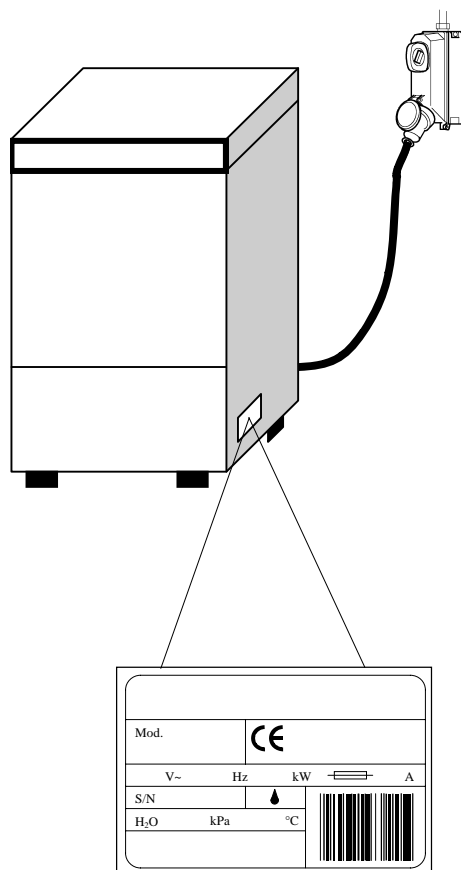


The packing components (plastic bags, foam polystyrene, nails, etc. ...) must not be left within the reach of children and pets as they may be dangerous.



2.2 Positioning

- Check that there are no objects and materials in the installation area that can be damaged by steam that may exit the machine during operation, or at least that they are sufficiently protected.
- In order to ensure stability, install and balance the machine on its four feet.
- Different installation solutions must be agreed upon and approved by the manufacturer.

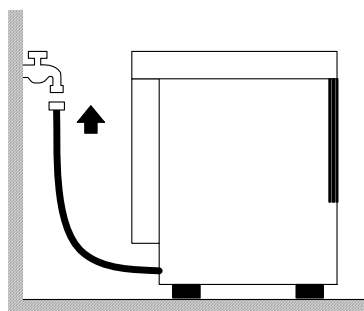


2.3 Electrical connection

- **There must be an omnipolar type of main switch that disconnects all contacts, including the neutral, with a distance of at least 3 mm between the open contacts and with safety circuit breaker tripping or connected with fuses, to be sized or calibrated in conformity with the power indicated on the machine's data plate.**
- The main switch must be located on the electric line close to the installation, and it must serve only one appliance at a time.
- Electric network voltage and frequency must coincide with those given on the data plate.
- There must be an effective earthing system in conformity with the prevention standards in force for operator and equipment safety.
- The power supply cable (type H07RN-F only) must not be pulled or crushed during normal operation or routine maintenance.
- The unipotential terminal fastened to the body must be connected to a unipotential cable having a section suited to the application.
- **Respect the polarities indicated in the wiring diagram.**
- Consult that attached wiring diagram for additional information.



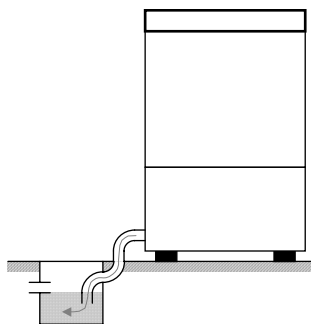
Do not use adaptors, multiple socket-outlets or cables of inadequate type and section or with extension connections not compliant with plant engineering standards in force.



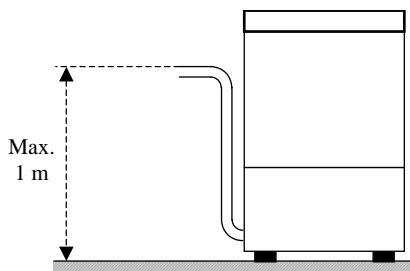
2.4 Plumbing connection

The appliance is to be connected to the water network with a hose. There must be a slide on-off, ball or gate valve **able to quickly and completely turn off the water if necessary** between the water network and the appliance's solenoid valve. The on-off valve must be on the line near and right before the appliance.

- If the system is new or barely used, have the water run a long time before making the connection.
- The water supply, temperature and pressure **must be compatible** with what is indicated on the machine's technical data plate.
- If the water's hardness is greater than 14 F (8 dH), we recommend you use the machine with internal water softener (available on request). If the water's hardness is greater than 35 F (19.5 dH), we recommend you install an external water softener upline of the solenoid valve.



Free drain

With discharge pump (available on request)

2.5 Connection to the drain line

- **The drain line must be made up of a free water trap** of a size proportionate to the delivery of the drain pipe supplied with the machine. The pipe must be able to reach the water trap **without being pulled, squeezed, bent, crushed, pressed or forced by anything**.
- The tank empties by gravity, so the drain must be at a **lower level than the base machine**.
- If the drain is not at a lower level than the base of the machine, you can use the version equipped with a discharge pump (available on request).
- In this case the maximum drain height is 1 m.
- Always check that the drain works properly and that it is not clogged.
- All other solutions must be previously agreed upon and approved by the manufacturer.

Chap 3 RISKS AND IMPORTANT WARNINGS

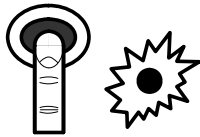
- This appliance is to be used only for the use for which it was expressly designed. All other uses are to be considered unfit and therefore dangerous.
- **The specialised personnel who will install the machine is obliged to appropriately instruct the user on the appliance's operation and any safety measures that are to be complied with, also by providing practical demonstrations.**
- Any type of service done on the machine, also in the case of failure, must be performed only by the manufacturer or by an authorised service centre and by qualified personnel, **using only original spare parts**.
- Always disconnect or separate the machine from the electric and water networks before performing maintenance, repairs or cleaning.
- Untrained personnel must **NOT** use the machine.
- The machine must **NOT** remain live when it is not used.
- **NEVER** open the machine door quickly if it has not finished the cycle.
- **NEVER** use the machine without the factory-installed safety attachments.
- **NEVER** use the machine for washing object of a type, shape, size or material not guaranteed for machine washing or not perfectly intact.
- **NEVER** use the appliance or its parts as a ladder or support for people, things or animals.
- **NEVER** overload the open door of front-loading machines, which are sized to support only the rack loaded with kitchenware.
- **NEVER** immerse bare hands in the washing solutions.
- **NEVER** turn the machine over after installation.

Chap 4 USING YOUR APPLIANCE

4.1 Symbols used

	Push the button corresponding to one of the symbols shown.
	The warning light corresponding to one of the symbols shown lights up.

	Push the button corresponding to one of the symbols shown. The related warning light illuminates.
	The warning light corresponding to one of the symbols shown turns off.



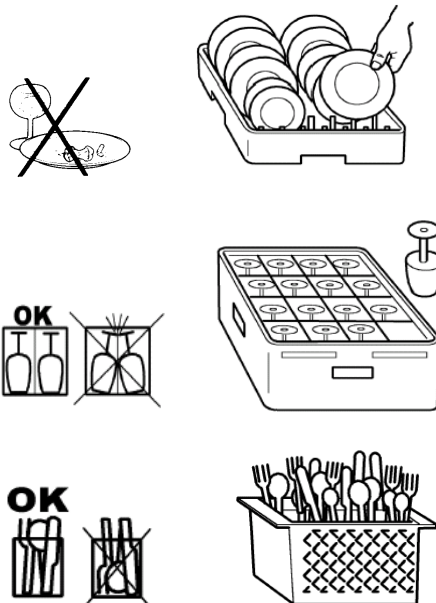
4.2 Starting Up

1. Open the main water tap and engage the main electrical switch.
2. Ensure the overflow cap is present.
3. Push the “on/off” button shown here. If present, the related warning light will light up.

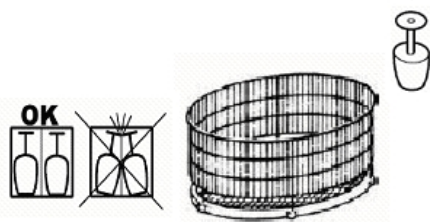
4.3 Loading and Warming Up

- If the tank is empty, the appliance starts filling up once switched on.
- Once the tank is filled up, the warm up process is started. If present, the related warning light goes off.
- As tank and boiler reach the set temperature, the warning light turns off.
- To reduce the waiting time, it is possible to carry out an empty cycle, 5-10 minutes after starting the appliance.

4.4 Washing Cycle



- Check for the presence of dishwashing detergent and rinse agent. Information on the type of products and quantities to be used (automatic or manual) is given in chapter “Adjustments and settings”.
- Use an adequate rack; do not overload the rack or place dishes on top of each other. **Always remove large food particles from dishes**; do not load dishes with dry food residues.
- Place empty bowls upside down in rack. Load dishes and similar items slanted on dedicated rack with internal surface facing upwards. Accommodate all silverware in the supplied basket with handles-down.
- **Wash only items approved for dishwashing.**
- It is advisable to wash the dishes immediately after use, in order to prevent any residuals from hardening and sticking on them.

**For versions with rotating basket:**

- If possible, run the cycle only with the basket full, evenly distributing the dishes.
- Place the lightest dishes near the middle of the rack, and the heaviest ones near the outside.
- Place the smallest dishes near the middle of the rack, and the largest ones near the outside.

- Load rack into dishwasher and shut the door.
- **For versions with rotating basket, make sure the basket turns freely, lightly spinning it clockwise, then close the door and start the cycle.**
- In order to avoid damages, only load items approved for dishwashing.
- Do not place silver and stainless steel cutlery in the same basket. This may corrode the steel and cause the silver to burnish.



On appliances featuring different washing times, select the appropriate time for the loaded items by using the “time selection” knob shown here.



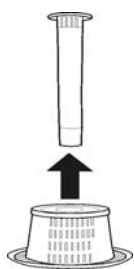
- To start the cycle, press the “start” button shown.
- If available, the “cycle warning light” lights up to indicate that the cycle has started.
- After the washing portion of the cycle is terminated, the appliance automatically initiates the rinse and discharge operations. At the end of the cycle, the warning light turns off.

- If during the cycle the door is accidentally opened, the appliance will automatically stop. To resume the cycle, simply shut the door.
- For a quick drying, immediately remove the rack from the dishwasher, once the cycle is terminated.
- **If the washing solution is found to be excessively dirty or dirt residues are spotted on the tank filter, carry out the standard maintenance operations as described in the “Maintenance” chapter.**
- **To perform other cycles, repeat the operations listed in the “Washing cycle” paragraph.**



4.5 Turning Off the Appliance

Press the “On/off” button as shown. If present, the corresponding warning light will turn off.



4.6 Discharging the Appliance

4.6.1 Models without discharging pump

1. Turn off the appliance as described in the “Turning off the Appliance” paragraph, above.
2. Remove the overflow cap: wait until the tank is completely empty.

4.6.2 Models with discharging pump

1. Turn off the appliance as described in the “Turning off the Appliance” paragraph, above.
2. Remove the overflow cap and shut the door.
3. Push the “discharging pump” button shown to drain.
4. On models without the “discharging pump button”, turn off the appliance as described in the “Turning off the Appliance” paragraph, above.
5. Remove the overflow cap and shut the door.
6. Push the “start” button, shown to drain.

- With the tank completely empty, clean the appliance as described in the “Maintenance” paragraph.
- Turn off the appliance whenever the overflow cap is removed.

4.7 Regenerating the Ion Exchange Resins

If the machine is equipped with an internal softener (available on request), in order to ensure its correct performance, it is necessary to periodically regenerate the ion exchange resins. The number of cycles between each regeneration is set by the hardness of the water, according to the following table.

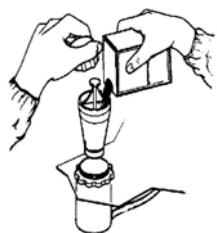
dH	F	No. of Cycles
6,0	10	153
6,5	11	147
7,0	12	140
7,5	13	133
8,0	14	127
8,5	15	120
9,0	16	113

dH	F	No. of Cycles
9,5	17	107
10,0	18	100
10,5	19	93
11,0	20	87
12,0	21	83
12,5	22	80
13,0	23	77

dH	F	No. of Cycles
13,5	24	73
14,0	25	70
14,5	26	67
15,0	27	63
15,5	28	60
16,0	29	57
17,0	30	53

dH	F	No. of Cycles
17,5	31	52
18,0	32	50
18,5	33	48
19,0	34	47
19,5	35	43

- It is suggested to carry out the regeneration during breaks.
- Turn off the appliance as indicated in paragraph “Turning off the appliance”.
- Drain the appliance as indicated in paragraph “Discharging the appliance”.
- Clean the dishwasher as directed in chapter “Maintenance”. At the end of the cleaning procedure, open the main water tap and engage the main electrical switch.



- Make sure the overflow cap has been removed.
- Open the salt dispenser inside the tank.
- Pour approx. 250g of regenerating salt (cooking salt with no additives and grains of 1-2 mm in diameter).
- Close the dispenser flap.
- Shut the door



- **Without turning the appliance on**, press the “start” button until the “cycle warning light” goes off.
- The regeneration cycle is then started and will last for approximately 20 minutes.

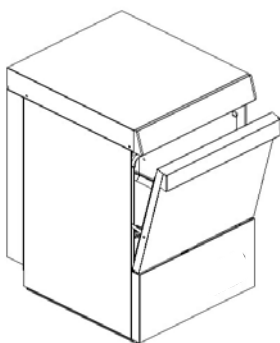


- The regeneration is completed when the cycle warning light turns off.

At the end of the regeneration cycle, with the tank empty and the overflow cap removed, it is suggested to:

- Turn the appliance on by pressing the “On/off” button shown.
- Let water run through for approx. 1 minute so to remove salt residues from the tank.
- Turn the appliance off by pressing the “On/off” button; hence refit the overflow cap.

The appliance is now ready to resume its service.



4.8 End of Service

- At the end of the day always drain the machine as described in the “Machine draining” section.
- **Disconnect the power supply by means of the main switch and close the external water cock.**
- Perform routine maintenance and clean the machine as described in the “Maintenance” section.
- If possible, leave the door ajar to prevent the formation of bad smells inside.

Chap 5 MAINTANANCE



Before carrying out any maintenance operation, drain all the water as described in paragraph “Discharging the Appliance”, cut the power by disengaging the main electric switch, and shut the external water valve.

5.1 Hygiene and cleaning

To guarantee machine hygiene **the routine (daily), weekly and yearly maintenance operations** indicated below must be regularly performed. Also carry out a periodical sanitising treatment with suitable non-corrosive products available on the market.

5.2 Routine maintenance (daily)

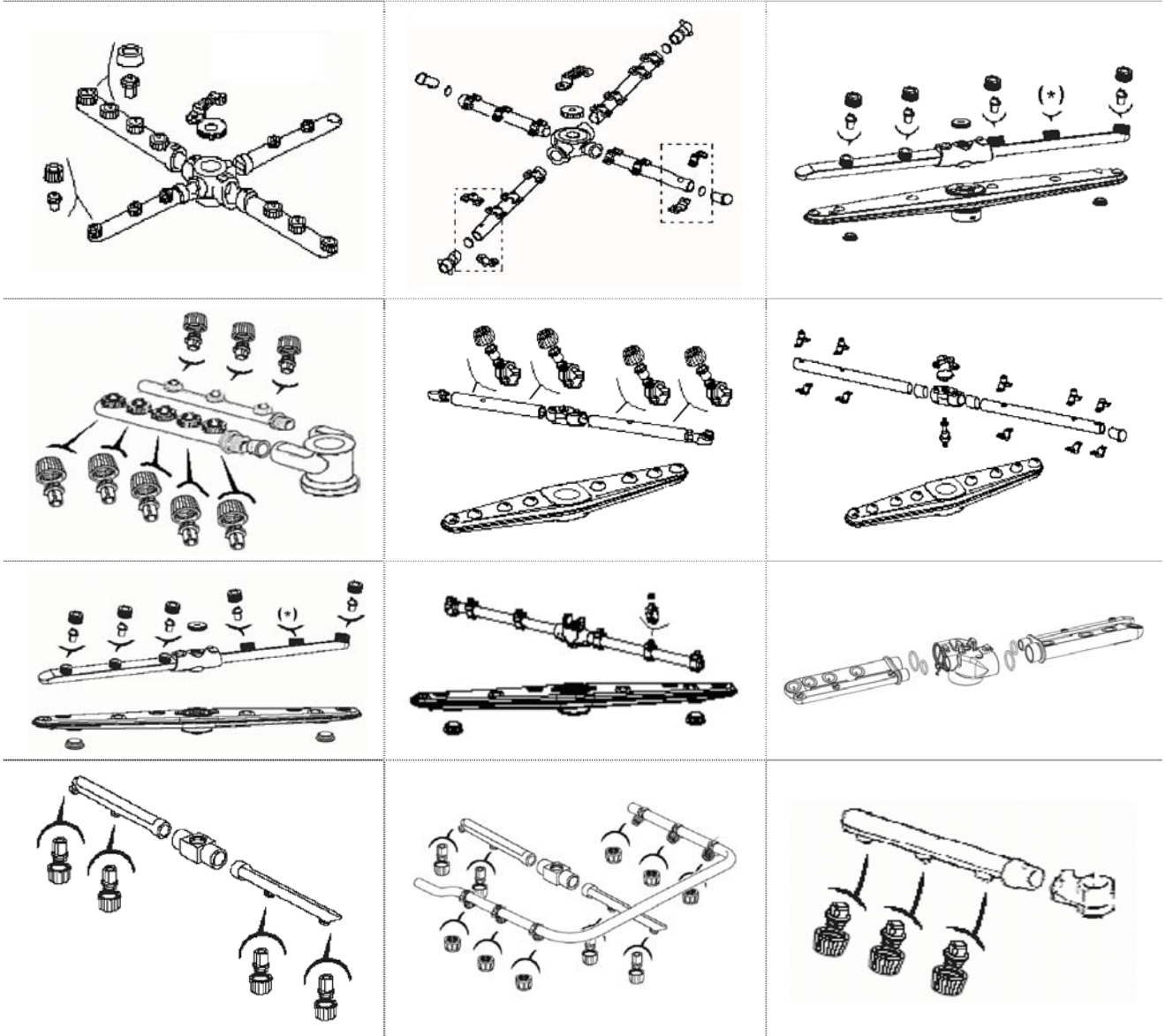
- If dirt residues are found at the bottom of the tank:
- Remove and clean racks, overflow, and filter.

- To clean the steel tank, do not use abrasive detergents or objects; instead, use a lightly soaped damp cloth.
- Do not use pressurised water jets as these may damage the electrical system.

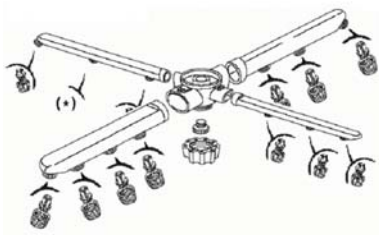
5.3 Weekly Maintenance

- Perform routine maintenance.
- Remove and clean the wash and rinse arms and nozzles.

Illustrated below are the possible configurations of upper and lower wash/rinse arms.



(*) Spray closed. Nozzle not present.



- Clean the arm rotation pins and the wash and rinse water outlet zone.
- Carefully clean the tank and machine, using non-abrasive disinfectant products.
- Correctly refit the nozzles, arms and filters, paying attention to the inclination and coupling of the arms in their respective seats.

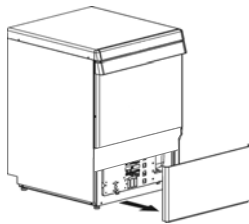
Have your appliance carefully inspected by an authorised technician, and in particular:

- Remove residues from the bottom of the tank.
- Remove and deep clean wash arms and diffusers.
- **Thoroughly clean the weir inserted in the lower wash arm shaft and the water exit area.**
- Correctly refit weir, pivoting pins and wash arms.
- Inspect the conditions of the sealing gaskets and the wear of other components such as pumps, dispensers, etc.
- Inspect the settings of washing detergent and rinse agent dispensers.
- Inspect and eventually clean the resistors.

If the appliance is not used for long periods of time, it is necessary to have it adequately setup. If you have any suspects about the presence of ice, do not run the appliance until an authorised technician has inspected boiler and pipes.

Chap 6 ADJUSTMENTS AND SETTINGS

The following adjustment and setting operations may be carried exclusively by qualified and authorised personnel, paying the utmost care and attention, and taking all precautions in the event that safety features are bypassed.



6.1 Dispenser



Before the **zeroing** operation may be carried out, dispenser(s) and supply pipes must be filled up. The zeroing is performed via the adjusting screws which may be reached by removing the front panel underneath the tank door.

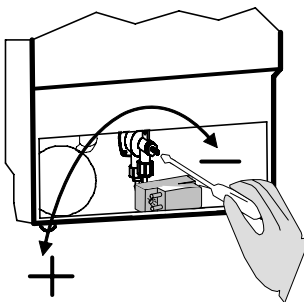


- **The warranty does not cover damages resulting from improper use of the dispenser(s) or incorrect manual feed.**
- **Type and dosage of detergent and rinse agent are crucial in affecting the appliance's performance and service life. Use only liquid products for industrial washing with antifoaming agents.**
- **Adjustments must be made with the appliance hot and correct amount of washing product.**



6.1.1 Rinse agent dispenser

The level of rinse agent inside the container must be adequate; it must never be completely emptied, or topped-up with corrosive or impure products. To fill up the supply pipe and the dispenser, turn on the appliance and start the washing cycle, wait for approx. 20 seconds and press the "On/off" button  /  for 8-10 times with intervals of approximately 10 seconds. Leave it pressed to let the cycle terminate.



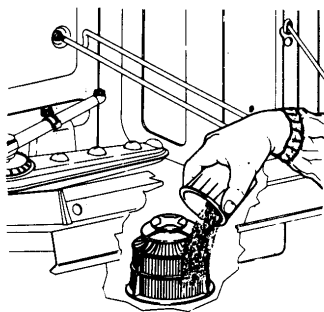
- Turning the adjusting screw anticlockwise, reduces the quantity of rinse agent released, while turning it clockwise, increases the dosage.
 - For a rough estimate concerning the amount of rinse agent required for the first zeroing operation, refer to the dosage suggested by the manufacturer of the product.
 - The screw adjustment must be refined on the basis of the results obtained after at least three rinsing cycles, so to let the system settle.
- Striations on washed items and the formation of foam within the washing solution indicate an excessive quantity of rinse agent. Items covered with water drops and long drying time, indicate

insufficient amount of rinse agent.

- To obtain optimum results, use only rinse agents with a manufacturer's suggested dosage of less than 1.5 gr. /litre.
- 7.9 cm of pipe = 1 ml. of product (= 1 gr. of product with a density of 1 kg/dm³). The amount of water used for the rinsing process is approx. 3 litres/cycle.
- Do not modify the height difference between tank and appliance after setting the dosage.
- If the height difference between tank and base of appliance is more than 80 cm, the dispenser may not work correctly.
- If rinse aid is not used, completely close the dispenser adjustment screw.

6.1.2 Models with no detergent metering unit

Manual feed is discouraged as it does not guarantee the optimal results offered by an automatic system. If, however, an automatic dispenser is not used, introduce the detergent in the pump intake filter area every five cycles, in the dosage suggested by the manufacturer of the detergent. Refer to the technical specifications to find out the amount of water used in the tank; the quantity used for rinsing is approx. 3 litres. At every top-up, add a quantity of detergent corresponding to the quantity of water in the tank and the five following rinsing cycles. For following dosages only add the amount of detergent required for rinsing operations.

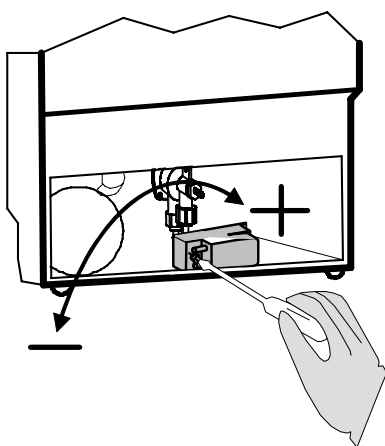


The installation of a detergent dispenser is always recommended.



6.1.3 Models with detergent dispenser (available on request)

The level of detergent inside the container must be adequate; it must never be completely emptied, or topped-up with corrosive or impure products. To fill up the supply pipe it is sufficient to turn on the appliance and perform the first loading with the unit connected.



- Turning the adjusting screw anticlockwise decreases the amount of detergent released, while turning it clockwise, increases the dosage (from 1 to 1.5 ml per rinse per mark, corresponding to approx. 1.2 – 1.8 gr. of product with density 1.2 kg/dm³). Check the appliance's technical specifications to find out about the amount of water in the tank.
- For a rough estimate concerning the amount of rinse agent required for the first zeroing operation, refer to the dosage suggested by the manufacturer of the product.
- The screw adjustment must be refined on the basis of the results obtained after at least three rinsing cycles, so to let the system settle.

- **At the end each cycle, no foam must be present in the tank.**
- If foam is present, first check the type of detergent used and eventually replace with a more adequate one. If foam is still present, check the water temperature in the tank is correct and eventually reduce the dosage of detergent until all foam is successfully eliminated.
- With the dispensers supplied, it is necessary to use only detergent with a manufacturer's suggested dosage less than 5 gr. /litre.

Chap 7 DEINSTALLATION



Only qualified and authorised technical personnel can perform deinstallation.

- **Turn off the power to the machine with the external main switch.**
 - **Shut off the external water supply tap.**
 - **Completely disconnect the machine from the electric and water supply networks.**
 - Empty, clean and completely prepare all the internal water circuits, measuring devices, pumps and boiler.
 - Completely empty the detergent and rinse aid dispensers and tubes connected to them, making sure to correctly dispose of the detergent and rinse aid (contact the supplier of the products used)
-

Chap 8 DISPOSAL

There are no materials on our machines that require special disposal procedures.

8.1 Correct Disposal of this product

(Waste Electrical & Electronic Equipment)

(Applicable in European Union and other European countries with separate collection systems)

This marking shown on the product or its literature, indicates that it should not be disposed with other household wastes at the end of its working life. To prevent possible harm to the environment or human from uncontrolled waste disposal. Please separate this from other types of wastes and recycle it responsibly to promote the sustainable reuse of material resources.



Household users should contact either the retailer where they purchased this product or their local government office, for details of where and how they can take this item for environmentally safe recycling.

INHALT

KAP 1	EINLEITUNG	2
KAP 2	INSTALLATION	2
2.1	AUSPACKEN.....	2
2.2	AUFSTELLEN.....	2
2.3	ELEKTRISCHER ANSCHLUSS	3
2.4	WASSERANSCHLUSS.....	3
2.5	ABFLUSSANSCHLUSS	4
KAP 3	RISIKEN UND WICHTIGE WARNHINWEISE	4
KAP 4	BEDIENUNG DER MASCHINE	5
4.1	BEDEUTUNG DER BENUTZTEN SYMBOLE	5
4.2	EINSCHALTEN	5
4.3	FÜLLEN UND HEIZEN	5
4.4	SPÜLZYKLUS.....	5
4.5	AUSSCHALTEN DER MASCHINE	6
4.6	ENTLEEREN DER MASCHINE	6
4.6.1	<i>Maschine ohne Abwasserpumpe</i>	6
4.6.2	<i>Maschine mit Abwasserpumpe</i>	7
4.7	HARZ-REGENERATION.....	7
4.8	BETRIEBSSENDE	8
KAP 5	WARTUNG	8
5.1	REINIGUNG UND HYGIENE	8
5.2	INSTANDHALTUNG (TÄGLICH)	8
5.3	WÖCHENTLICHE WARTUNG	8
5.4	JÄHRLICHE WARTUNG	9
KAP 6	EINSTELLUNGEN UND KONTROLLEN	10
6.1	DOSIERVORRICHTUNGEN.....	10
6.1.1	<i>Glänzmittel-Dosiergerät</i>	10
6.1.2	<i>Gerät ohne Spülmittel-Dosiergerät</i>	11
6.1.3	<i>Gerät mit Spülmittel-Dosiergerät (auf Anfrage erhältlich)</i>	11
KAP 7	ABBAUEN	11
KAP 8	ENTSORGUNG	12
8.1	KORRELTE ENTSORGUNG PRODUKTS	12

Der Hersteller behält sich entsprechend der Gesetze die Eigentumsrechte am vorliegenden Dokument vor. Ohne vorherige schriftliche Genehmigung sind die Vervielfältigung und Weitergabe dieses Dokuments verboten.

Der Hersteller behält sich das Recht vor ohne Vorankündigung durch Verbesserungen, die von ihm für notwendig befunden wurden, die vorliegende Anleitung zu ändern.

Kap 1 EINLEITUNG

Die Nichtbeachtung der in der vorliegenden Anleitung enthaltenen Anweisungen kann die Sicherheit des Geräts beeinträchtigen und führt zum sofortigen Verfall der Garantie.



Die in der vorliegenden Bedienungsanleitung enthaltenen Warnhinweise geben wichtige Sicherheitsanweisungen bei den einzelnen Installationsphasen, dem Gebrauch und der Wartung.

Die gesamte Dokumentation sorgfältig in der Nähe des Geräts aufbewahren; sie muss den Technikern und Bedienern ausgehändigt werden. **Der Bediener ist verpflichtet die vorliegende Bedienungsanleitung vor jeglicher Arbeit an der Maschine zu lesen, zu verstehen und zu lernen.** Das Gerät ist für das gewerbliche Geschirrspülen in Gemeinschaftsküchen vorgesehen, d. h. die Installation, der Betrieb und die Wartung erfolgen durch ausgebildetes Fachpersonal, das sich an die Herstelleranweisungen halten muss. Von Kindern fernhalten. Die Qualität dieser Maschine wird durch die Materialauswahl, der Herstellung gemäß den CE-Sicherheitsnormen und durch eine vollständige Abnahme garantiert. Außer der Bedienungsanleitung wird folgendes mit der Maschine mitgeliefert:

- Schaltplan
- Detaillierte Zeichnung für die Anbringung der einzelnen Maschinen-Bauteile

Der Hersteller übernimmt keine Haftung für Sach- oder Personenschäden bei Nichteinhaltung der gegebenen Anweisungen oder unangemessenem Einsatz der Maschine.

Kap 2 INSTALLATION

Eine richtige Installation ist grundlegende Voraussetzung für ein gutes Funktionieren der Maschine. Einige wichtige Angaben für die Maschineninstallation befinden sich auf dem Typenschild auf der rechten Maschinenseite, die auch als Kopie auf dem Deckblatt der Bedienungsanleitung wiedergegeben sind.



Die Installation darf ausschließlich von qualifiziertem und autorisiertem Fachpersonal vorgenommen werden.

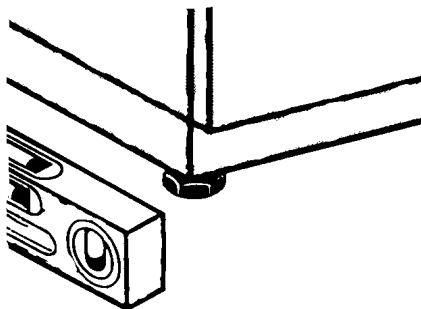
2.1 Auspacken

Die Verpackung auf Schäden überprüfen. Eventuelle bemerkte Schäden auf dem Lieferschein vermerken. Nach dem Entfernen der Verpackung **überprüfen, ob das Gerät vollständig ist.** Ist die Maschine beschädigt, sofort den Verkäufer per Fax oder Einschreiben mit Rückantwort und den Transportunternehmer, der das Gerät transportiert hat, benachrichtigen. Beeinträchtigen die Schäden die Maschinensicherheit, die Maschine vorm Eingriff eines Fachtechnikers nicht installieren bzw. benutzen.



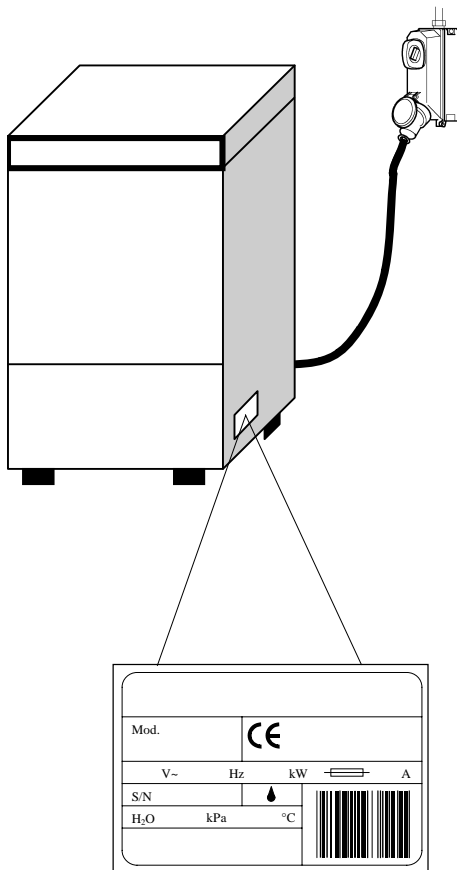
Die Verpackungsteile (Plastiktüten, Styropor, Nägel usw.) von Kindern und Haustieren fernhalten. Die Verpackungsteile können mögliche Gefahreteile darstellen.

2.2 Aufstellen



- Prüfen, dass sich im Installationsbereich keine Gegenstände oder Materialien befinden, bzw. diese ausreichende geschützt sind, die vom Wasserdampf, der während des Betriebs aus der Maschine austreten kann, beschädigt werden können.
- Um die Stabilität sicherzustellen, die Maschine installieren und mit den vier Stellfüßen nivellieren.
- Andere Installationslösungen müssen mit dem Hersteller vereinbart und von diesem genehmigt werden.

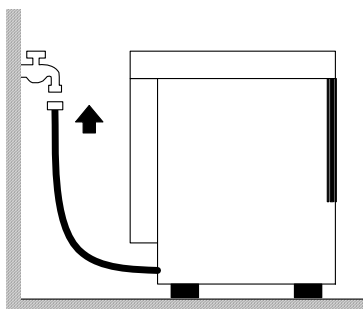
2.3 Elektrischer Anschluss



- **Es muss ein Hauptschalter vorhanden sein, mit dem alle Kontakte einschließlich des Nullleiters getrennt werden. Die getrennten Kontakte müssen einen Abstand von mindestens 3 mm haben. Der Schalter muss über einen magnetthermische Schutzvorrichtung ausgelöst bzw. zusammen mit Sicherungen gekoppelt werden.** Die Sicherungen und der Schalter müssen anhand der auf dem Typenschild angegebenen Maschinenleistung ausgelegt werden.
- Der Hauptschalter muss sich an der Stromleitung in der Nähe des Aufstellungsortes befinden. Am Hauptschalter darf stets nur ein Gerät angeschaltet sein.
- Die Stromspannung und die Frequenz des Stromnetzes müssen mit den Angaben auf dem Typenschild übereinstimmen.
- Für die Sicherheit des Bedieners sowie die Gerätesicherheit muss entsprechend der geltenden Schutzvorschriften eine ausreichende Erdung vorgesehen werden.
- Das Anschlusskabel darf ausschließlich ein Kabel des Typs H07RN-F sein. Das Kabel darf beim normalen Maschinenbetrieb oder der normalen Wartung nicht gezogen bzw. gequetscht werden.
- Die am Gehäuse befestigte Äquipotenzial-Klemme muss an ein Äquipotenzial-Kabel angeschlossen werden, das einen für die Anwendung geeigneten Querschnitt haben muss.
- **Beachten Sie die auf dem Schaltplan angegebene Polarität.**
- Für weitere Informationen siehe den anliegenden Schaltplan.



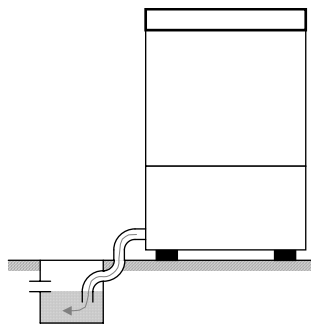
Keine Adapter, Mehrfachstecker, Kabel mit unzureichendem Querschnitt oder mit Verlängerungsanschlüssen verwenden, die nicht den geltenden Anlagennormen entsprechen.



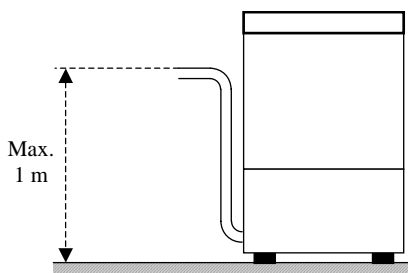
2.4 Wasseranschluss

Das Gerät wird mit einem Schlauch an die Wasserleitung angeschlossen. Zwischen dem Wasseranschluss und dem Elektroventil im Gerät muss ein Absperrventil (Schieber, Kugelhahn oder Schieberventil) angebracht werden, **das in der Lage sein muss notfalls ein schnelles und vollständiges Absperrn der Wasserversorgung sicherzustellen.** Das Absperrventil muss sich an der Wasserleitung in der Nähe und direkt vor dem Gerät befinden.

- Ist die Anlage neu und wenig benutzt worden, vorm Anschließen lange das Wasser laufen lassen.
- Die Wasserversorgung, Temperatur und Druck, **muss mit den Angaben auf dem Typenschild der Maschine übereinstimmen.**
- Liegt die Wasserhärte über 14 F (8 dH) raten wir dazu die Maschine mit eingebautem Wasserenthärter zu benutzen (auf Anfrage erhältlich). Liegt die Wasserhärte über 35 F (19,5 dH) raten wir dazu einen externen Wasserenthärter vor dem Elektroventil zu installieren.



Freier Abfluss

Mit Abfluspumpe (auf Anfrage erhältlich)

2.5 Abflussanschluss



- **Die Abflussleitung muss aus einer Grube mit freiem Siphon bestehen.** Die Maße müssen für den Durchsatz des mit der Maschine mitgelieferten Abflussrohrs geeignet sein. Das Abflussrohr muss ohne gezogen, gebogen, gedrückt, gequetscht oder sonst wie behindert zu werden zur Grube geleitet werden.
- Das Entleeren der Grube erfolgt durch Schwerkraft, d. h. **der Abfluss muss sich unterhalb des Maschinenboden befinden.**
- Falls sich der Abfluss nicht unterhalb des Maschinenboden befindet, kann ein Modell mit Abfluspumpe (auf Anfrage erhältlich) benutzt werden.
- In diesem Fall ist die maximal zulässige Höhe des Abflusses gleich 1 Meter.
- Stets prüfen, dass der Abfluss richtig funktioniert und nicht verstopft ist.
- Alle anderen Lösungen müssen vorher mit dem Hersteller abgesprochen und von diesem genehmigt werden.



Kap 3 RISIKEN UND WICHTIGE WARNHINWEISE

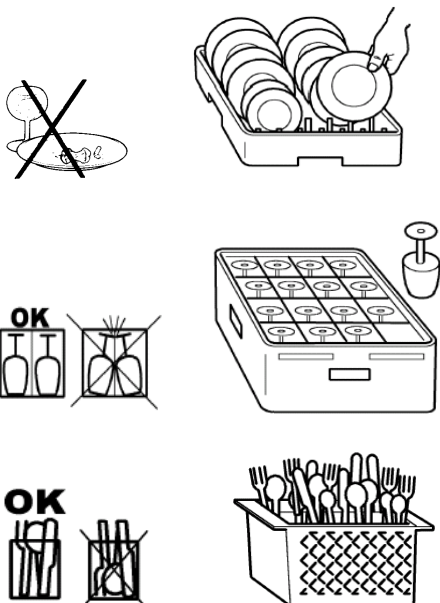
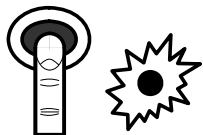
- Dieses Gerät ist nur für den Zweck vorgesehen, für das es ausdrücklich entwickelt wurde. Jeder andere Einsatz ist ungeeignet und daher gefährlich.
- **Das Installations-Fachpersonal ist angehalten den Nutzer in angemessener Weise über die Bedienung des Geräts und eventuell zu beachtende Sicherheitsmaßnahmen, auch mit praktischen Vorführungen, zu unterrichten.**
- Alle Arbeiten an der Maschine, auch bei Störung bzw. Ausfall, dürfen nur vom Hersteller oder einem autorisierten Kundendienst bzw. Fachpersonal vorgenommen werden. **Dabei müssen ausschließlich Original-Ersatzteile verwendet werden.**
- Vor Wartungsarbeiten, Reparatur und Pflege die Maschine stets vom Stromnetz und dem Wasseranschluss trennen.
- Die Maschine darf **NICHT** von nicht ausgebildetem Personal benutzt werden.
- Die Maschine darf **NICHT** unter Spannung bleiben, wenn sie nicht benutzt wird.
- Solange der Spülzyklus nicht beendet ist, **NIEMALS** schnell die Gerätetür öffnen.
- Die Maschine **NIEMALS** ohne die vom Hersteller vorgesehenen Schutzvorrichtungen benutzen.
- Die Maschine **NIEMALS** zum Spülen von Gegenständen benutzen, die von Form, Ausmaßen oder Material nicht zum Spülen in Maschinen garantiert oder die nicht perfekt vollständig sind.
- Das Gerät oder Geräteteile **NIEMALS** als Trittleiter oder Halterung für Personen, Sachen oder Tiere verwenden.
- Die geöffnete Klappe der Maschine mit Frontladung **NIEMALS** überlasten. Die Klappe ist so ausgelegt, dass sie nur den mit Geschirr beladenen Korb aushält.
- **NIEMALS** nackte Hände in die Spüllösung tauchen.
- Die Maschine nach der Installation **NIEMALS** kippen.

Kap 4 BEDIENUNG DER MASCHINE

4.1 Bedeutung der benutzten Symbole

	Die Taste drücken, die einem der angegebenen Symbole entspricht.
	Die zu den angegebenen Symbolen gehörende Kontrolllampe schaltet sich ein.

	Die Taste drücken, die einem der angegebenen Symbole entspricht. Die entsprechende Kontrolllampe schaltet sich ein.
	Die zu einem der angegebenen Symbolen gehörende Kontrolllampe schaltet sich ein.



4.2 Einschalten

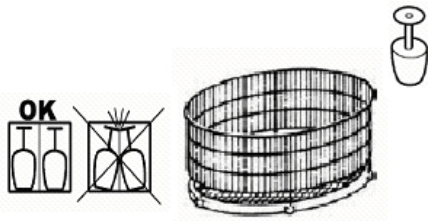
1. Den Wasserhahn öffnen und den Strom-Hauptschalter einschalten.
2. Prüfen, ob der Überlauf vorhanden ist.
3. Den seitlich gezeigten Schalter "Einschalten/Ausschalten" drücken. Wenn vorhanden, schaltet sich die entsprechende Kontrolllampe ein.

4.3 Füllen und Heizen

- Wenn die Wanne leer ist, beginnt sich das Gerät beim Einschalten automatisch zu füllen.
- Ist die Wanne voll beginnt das Heizen. Bei den Geräten, wo sie vorhanden ist, schaltet sich die entsprechende Kontrolllampe ein.
- Die Kontrolllampe schaltet sich aus, wenn Wanne und Boiler die eingestellt Temperatur erreicht haben.
- Um die Wartezeit zu verkürzen, kann 5 – 10 Minuten nach dem Einschalten ein Leerzyklus ausgeführt werden.

4.4 Spülzyklus

- Kontrollieren, ob Spül- und Glänzmittel vorhanden sind. Informationen zu den zu verwendenden Produkten und deren Dosierung (automatisch oder manuell) befinden sich im Kapitel "Einstellungen und Kontrollen".
- Einen geeigneten Korb verwenden. Der Korb darf nicht überladen werden. Das Geschirr nicht übereinander legen. **Das Geschirr stets vorspülen**; nie Geschirr mit angetrockneten oder festen Resten einsetzen.
- Leere Behälter umgedreht in den Korb stellen. Teller und ähnliches geneigt in den Tellerkorb einsetzen. Die innere Oberfläche muss nach oben gerichtet sein. Das Besteck so in den Besteckkorb einsetzen, dass der Griff auf den Korbboden weist.
- **Ausschließlich für den Gerätetyp passendes Geschirr spülen.**
- Es wird empfohlen, das Geschirr sofort nach dem Gebrauch zu waschen, so dass der Schmutz nicht verhärten und sich nicht auf dem Geschirr festsetzen kann.

**Ausführung mit Drehkorb:**

- Führen Sie den Spülzyklus möglichst mit vollem Korb und gleichmäßig verteiltem Geschirr aus.
- Stellen Sie das leichtere Geschirr in die Mitte des Korbs, das schwerere Geschirr an den Korbrand.
- Stellen Sie schmales Geschirr in die Mitte des Korbs, breites Geschirr an den Korbrand.
- Den Korb in die Maschine laden und die Tür schließen.
- **Bei Ausführungen mit Drehkorb sicherstellen, dass der Korb frei dreht; drehen Sie ihn dazu von Hand leicht nach rechts, schließen Sie dann die Tür und schalten Sie den Spülzyklus ein.**
- Um Bruch und Beschädigungen zu vermeiden nur unbeschädigtes und für Maschinenspülung garantiertes Geschirr verwenden.
- Niemals Silberbesteck und Besteck aus rostfreiem Stahl in den gleichen Besteckkorb geben. Das Silber könnte anlaufen und der Stahl könnte korrodieren.

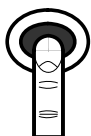


Bei den Geräten, bei denen unterschiedliche Spülzeiten vorhanden sind, die dem Geschirr angepasste Spülzeit an dem seitlich gezeigten Schalter "Zeitwahl" einstellen



- Zum Einschalten des Zyklus die seitlich gezeigte Taste "Start/ Zyklus-Start" drücken.
- Bei den Geräten, wo sie vorhanden ist, schaltet sich die entsprechende "Zyklus-Kontrolllampe" ein, um anzuzeigen, dass der Spülzyklus läuft.
- Nach der Spülphase wird automatisch die Abspül- und Abpumpphase eingeleitet und der Zyklus endet. Bei Zyklusende schaltet sich die Kontrolllampe aus.

- Wird die Tür während des Zyklus versehentlich geöffnet, wird die Maschine automatisch angehalten. Um den Spülvorgang wieder fortzuführen, reicht es aus die Tür zu schließen.
- Um ein schnelles Trocknen zu haben, den Korb bei Zyklusende sofort aus der Maschine ziehen.
- **Ist die Spüllösung zu schmutzig oder werden Schmutzreste am Wannensfilter bemerkt, muss die ordentliche Wartung, wie im Kapitel "Wartung" beschrieben, vorgenommen werden.**
- **Um weitere Spülzyklen auszuführen, erneut die im Abschnitt "Spülzyklus" angegebenen Arbeitsschritte vornehmen.**



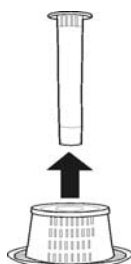
4.5 Ausschalten der Maschine

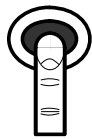
Die Taste "Einschalten/ Ausschalten" wie seitlich gezeigt drücken. Bei den Geräten, wo sie vorhanden ist, schaltet sich die entsprechende Kontrolllampe aus.

4.6 Entleeren der Maschine

4.6.1 Maschine ohne Abwasserpumpe

1. Die Maschine wie im vorstehenden Abschnitt "Ausschalten der Maschine" angegeben ausschalten.
2. Den Überlauf herausziehen: abwarten bis die Wanne vollständig leer ist.





4.6.2 Maschine mit Abwasserpumpe

1. Die Maschine wie im vorstehenden Abschnitt "Ausschalten der Maschine" angegeben ausschalten.
2. Den Überlauf herausziehen und die Tür schließen.
3. Die seitlich gezeigte Taste "Abwasserpumpe" drücken, um das Wasser abzulassen.
4. Bei den Geräten ohne die Taste "Abwasserpumpe" das Gerät wie im Abschnitt "Ausschalten der Maschine" angegeben ausschalten.
5. Den Überlauf herausziehen und die Tür schließen.
6. Die seitlich gezeigte Taste "Start/ Zyklusstart" drücken, um das Wasser abzulassen.

- Bei vollständig entleerter Wanne die Maschine wie im Kapitel "Wartung" beschrieben reinigen.
- Die Maschine jedes Mal ausschalten, wenn der Überlauf herausgezogen wird.

4.7 Harz-Regeneration

Ist das Gerät mit einem eingebauten Wasserenthärter (auf Anfrage erhältlich) ausgestattet, muss für den richtigen Betrieb des Wasserenthärter regelmäßig eine Harz-Regeneration vorgenommen werden. Die Anzahl der Zyklen zwischen einer Regeneration und der nächsten muss entsprechend der nachstehenden Tabelle auf den Härtegrad des Wassers festgelegt werden.

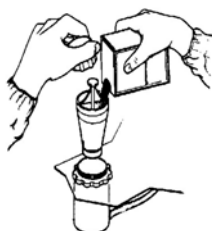
dH	F	Zyklus-Anzahl
6,0	10	153
6,5	11	147
7,0	12	140
7,5	13	133
8,0	14	127
8,5	15	120
9,0	16	113

dH	F	Zyklus-Anzahl
9,5	17	107
10,0	18	100
10,5	19	93
11,0	20	87
12,0	21	83
12,5	22	80
13,0	23	77

dH	F	Zyklus-Anzahl
13,5	24	73
14,0	25	70
14,5	26	67
15,0	27	63
15,5	28	60
16,0	29	57
17,0	30	53

dH	F	Zyklus-Anzahl
17,5	31	52
18,0	32	50
18,5	33	48
19,0	34	47
19,5	35	43

- Wir empfehlen die Harz-Regeneration während der Arbeitspausen vorzunehmen.
- Die Maschine wie im Abschnitt "Ausschalten der Maschine" angegeben ausschalten.
- Die Maschine wie im Kapitel "Entleeren der Maschine" beschrieben entleeren.
- Die Maschine wie im Kapitel "Wartung" beschrieben reinigen. Nach der Reinigung wieder den Wasserhahn öffnen und den Strom-Hauptschalter einschalten.



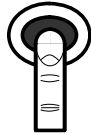
- Sicherstellen, dass der Überlauf entfernt wurde.
- Den Salzbehälter in der Wanne öffnen.
- Ungefähr 250g Regenerations-Salz (Küchensalz ohne Zusätze mit Korngröße von 1 oder 2 mm) in den Behälter füllen.
- Den Behälter fest verschließen.
- Die Tür schließen.



- **Ohne die Maschine einzuschalten**, die Taste "Start/ Zyklusstart" solange drücken, bis die entsprechende Kontrolllampe aufleuchtet.
- Der Regenerationszyklus beginnt und dauert ungefähr 20 Minuten.



○



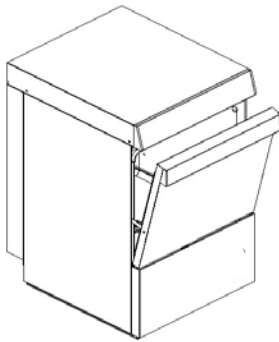
- Wenn sich die Zyklus-Kontrolllampe ausschaltet, ist der Regenerationszyklus beendet.

Am Ende des Regenerationszyklus, bei leerer Wanne und ohne Überlauf, empfehlen wir:

- Das Gerät durch Drücken der seitlich gezeigten Ein-/Aus-Taste einschalten.
- Für ungefähr 1 Minute Wasser laufen lassen, so dass Salzreste aus der Wanne entfernt werden.
- Das Gerät mit der Ein-/Aus-Taste ausschalten und den Überlauf wieder einsetzen.

Die Maschine ist jetzt bereit, um wieder beladen zu werden.

4.8 Betriebsende



- Am Ende des Tages das Gerät immer entleeren. Halten Sie sich dabei an die Anweisungen im Abschnitt "Entleerung des Geschirrspülers".
- **Mit dem Hauptschalter die Stromversorgung trennen und den Hahn der Wasserzufuhr schließen.**
- Die normalen Wartungsarbeiten ausführen und das Gerät entsprechend der Beschreibung im Abschnitt "Instandhaltung" reinigen.
- Lassen Sie die Tür möglichst angelehnt, um das Entstehen unangenehmer Gerüche im Inneren zu vermeiden.

Kap 5 WARTUNG



Vor jeglicher Wartungsarbeit die Maschine, wie im Abschnitt "Entleeren der Maschine" beschrieben, vollständig entleeren, die Stromversorgung am Hauptschalter trennen und den äußeren Wasserhahn schließen.

5.1 Reinigung und Hygiene

Zur Aufrechterhaltung der Hygiene des Gerätes sind **regelmäßig die im Folgenden beschriebenen täglichen, wöchentlichen und jährlichen Wartungsarbeiten auszuführen**. Das Gerät muss außerdem regelmäßig mit geeigneten handelsüblichen Produkten entkeimt werden.

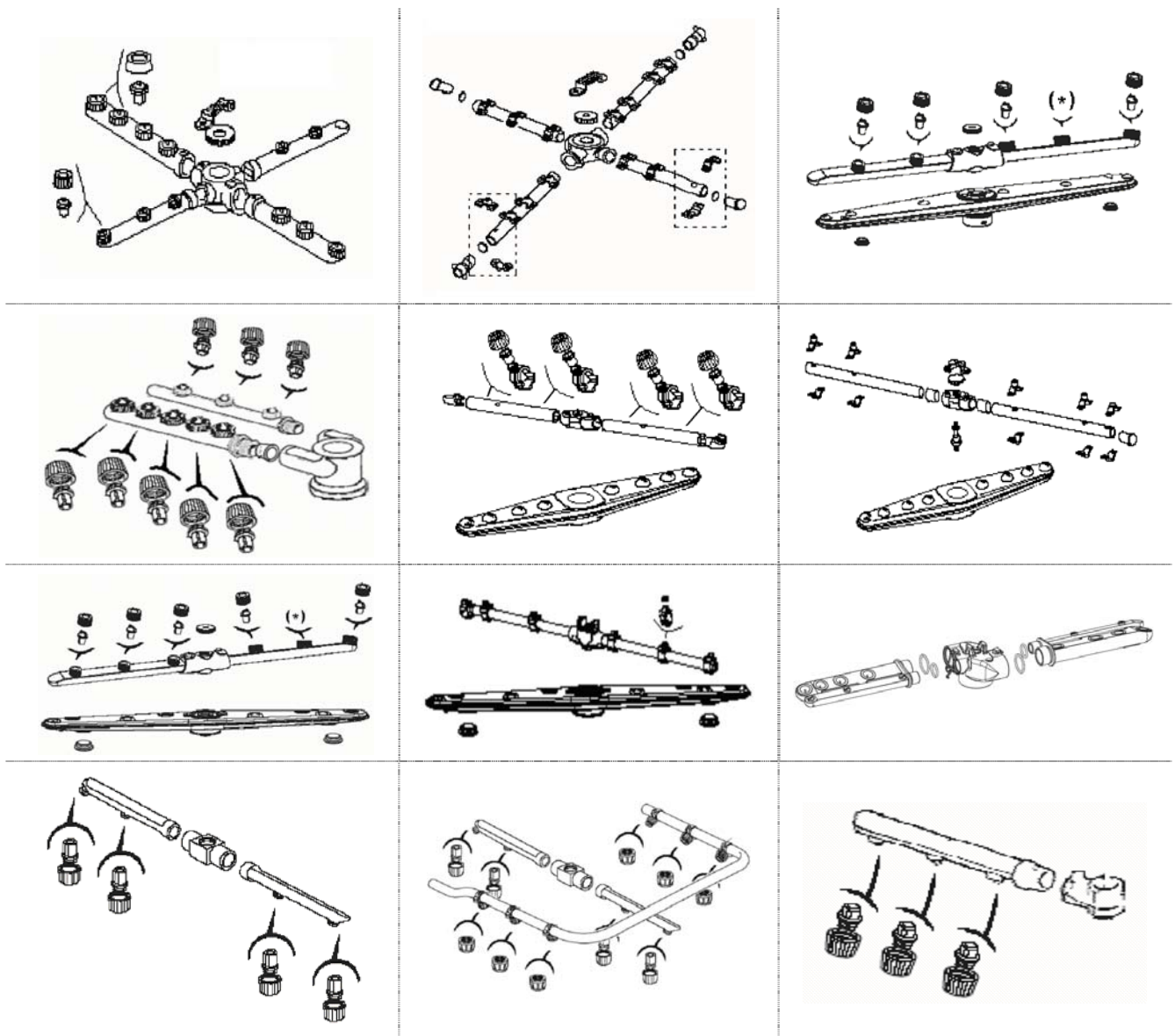
5.2 Instandhaltung (täglich)

- Wenn Schmutzreste am Wannenfilter festgestellt werden.
- Die Körbe, den Überlauf und den Filter ausbauen und reinigen.
- Zum Reinigen der Stahlwanne keine scheuernde Produkte oder Gegenstände benutzen. Es muss mit einem feuchten, leicht eingeseiften Lappen gereinigt werden.
- Keinen Druckwasserstrahl benutzen, da dieser die elektrische Anlage beschädigen könnte.

5.3 Wöchentliche Wartung

- Die normalen Instandhaltungsarbeiten ausführen.
- Die Spül- und Klarspülarne und -düsen reinigen.

Die folgende Abbildung zeigt die möglichen Anordnungen der oberen und unteren Spül-/Klarspülarne.



(*) Düse geschlossen. Düse nicht vorhanden.

- Die Drehzapfen der Spülarme und den Abflussbereich des Spül- und Klarspülwassers reinigen.
- Den Tank und das Gerät sorgfältig mit nicht scheuernden Desinfektionsmitteln säubern.
- Die Düsen, Arme und Filter wieder richtig einbauen; dabei auf die Neigung und den festen Sitz der Arme in den betreffenden Aufnahmen achten.

5.4 Jährliche Wartung

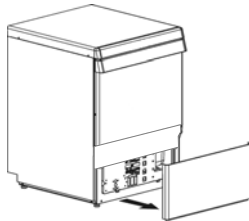
Die Maschine von einem Fachtechniker sorgfältig überprüfen lassen. Folgendes muss besonders überprüft werden:

- Ablagerungen aus der Wanne entfernen.
- Die Spül- und Nachspülarme und Düsen vollständig ausbauen und reinigen.
- **Die Drosselvorrichtung in der Säule des unteren Spülarms und den Ausgangsbereich des Wassers gründlich reinigen.**
- Die Drosselvorrichtung, die Zapfenwelle und die Spül- und Abspülarme wieder richtig einbauen.
- Den Zustand der Dichtungen und den Verschleiß der anderen Bauteile wie Pumpen, Dosiervorrichtungen usw. überprüfen.
- Überprüfung der Einstellungen der Dosiervorrichtungen für Glänz- und Spülmittel.
- Die Heizwiderstände überprüfen und gegebenenfalls reinigen.

Soll die Maschine für einen längeren Zeitraum stillgelegt werden, muss sie entsprechend vorbereitet werden. Wird bei neuer Inbetriebnahme befürchtet, dass das Gerät zwischenzeitlich eingefroren war, darf es nicht benutzt werden, bevor der Boiler und die Leitungen nicht von einem Fachtechniker überprüft wurden.

Kap 6 EINSTELLUNGEN UND KONTROLLEN

Die folgenden Einstellungs- und Kontrollarbeiten dürfen ausschließlich von ausgebildetem und autorisiertem Fachpersonal vorgenommen werden. Diese müssen mit größter Sorgfalt und Aufmerksamkeit vorgehen und geeignete Schutzmaßnahmen treffen, wenn die Maschinen-Schutzvorrichtungen umgangen werden.



6.1 Dosiervorrichtungen

Vor der **Eichung** des oder der Dosiervorrichtungen müssen die Zuleitungen gefüllt sein. Die Eichung erfolgt über die entsprechenden Stellschrauben. Diese sind nach Abbau des Frontpaneels unterhalb der Wannentür zugänglich.



- **Schäden aus falschem Einsatz des oder der Dosiervorrichtungen oder nach einer falschen manuellen Dosierung sind nicht durch die Garantie abgedeckt.**
- **Die Auswahl und die Dosierung des Spül- und des Glanzmittels sind ausschlaggebend für ein gutes Spülergebnis und die Lebensdauer des Gerätes. Nur Flüssigprodukte für gewerblichen Einsatz mit Schaumbremse verwenden.**
- **Die Einstellungen müssen bei warmer Maschine mit gut dosiertem Produkt vorgenommen werden.**



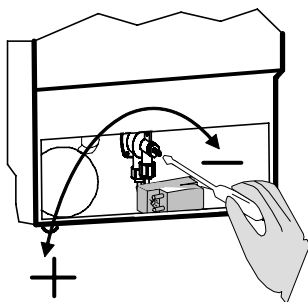
6.1.1 Glanzmittel-Dosiergerät

Der Glanzmittelstand im Behälter muss ausreichend sein. Der Behälter darf sich nie vollständig entleeren, er darf nicht mit korrosiven oder verschmutzten Flüssigkeiten gefüllt werden. Zum Füllen von Zuleitung und Dosiergerät die Maschine einschalten, den

Spülzyklus starten, ungefähr 20 Sekunden abwarten und dann die Taste "Einschalten/ Ausschalten"



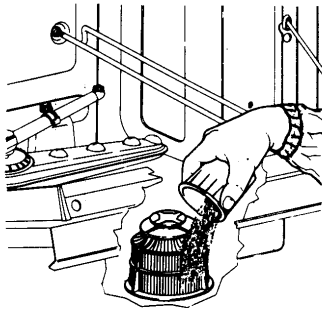
8-10 Mal in einem Abstand von jeweils 10 Sekunden drücken. Gedrückt halten, um den Spülzyklus zu beenden.



- Bei Drehen der Stellschraube in Uhrzeigersinn verringert sich, bei Drehen gegen den Uhrzeigersinn erhöht sich die Menge des abgegebenen Glanzmittels.
- Für Angaben bezüglich der Produktmenge zur ersten Eichung siehe die Angaben des Produktherstellers zur Dosierung.
- Die Feineinstellung erfolgt nach Bewertung der Ergebnisse von mindestens drei Spülzyklen, um gleichmäßige Ergebnisse zu haben.

- Streifen auf dem Geschirr und Schaumbildung in der Spüllösung sind Zeichen für eine übermäßige Glanzmittelmenge. Mit Wassertropfen bedecktes Geschirr und längere Trockenzeiten sind Zeichen für Glanzmittelmangel.
- Um gute Ergebnisse zu erzielen, sollten nur Glanzmittel verwendet werden, bei denen die Herstellerempfehlung unter 1,5 g/ Liter liegt.
- 7,9 cm Leitung = 1 ml Produkt (= 1 g Produkt mit Dichte gleich 1 kg/dm³). Zum Nachspülen werden ungefähr 3 Liter pro Zyklus verwendet.
- Nach Einstellung der Dosierung den Höhenunterschied zwischen Kanister und Maschinenboden nicht ändern.
- Ist der Höhenunterschied zwischen Kanister und Maschinenboden größer als 80 cm, kann es sein, dass das Dosiergerät nicht richtig funktioniert.
- Wenn kein Klarspülmittel verwendet wird, die Stellschraube des Dosierers vollständig schließen.

6.1.2 Gerät ohne Spülmittel-Dosiergerät



Von einer manuellen Dosierung wird abgeraten, da gute Ergebnisse wie bei einer automatischen Dosiervorrichtung nicht garantiert sind. Wird trotzdem keine automatische Dosiervorrichtung benutzt, muss das Spülmittel alle 5 Zyklen im Bereich des Pumpen-Ansaugfilters eingefüllt werden. Die Spülmittelmenge muss den Herstellerangaben entsprechen. Wir verweisen auf die technischen Daten, um die in der Wanne enthaltene Wassermenge zu kennen. Für das Nachspülen werden ungefähr 3 Liter Wasser benutzt. Bei jeden Füllen die für die in der Wanne enthaltene Wassermenge und die nächsten 5 Nachspülvorgänge benötigte Dosierung hinzufügen. Bei den anschließende Dosierungen muss nur das zum Nachspülen benötigte Spülmittel hinzugefügt werden.

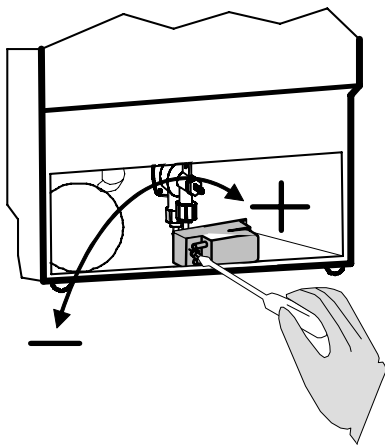


Es wird immer zur Installation eines automatischen Spülmittel Dosiergeräts angeraten.



6.1.3 Gerät mit Spülmittel-Dosiergerät (auf Anfrage erhältlich)

Der Spülmittelstand im Behälter muss ausreichend sein. Der Behälter darf sich nie vollständig entleeren, er darf nicht mit korrosiven oder verschmutzten Flüssigkeiten gefüllt werden. Um die Zuleitung zu füllen reicht es aus abzuwarten, dass sich die Maschine mit angeschlossenem Dosiergerät füllt.



- Bei Drehen der Stellschraube gegen den Uhrzeigersinn verringert sich, bei Drehen in Uhrzeigersinn erhöht sich die Menge des abgegebenen Spülmittels. (um $1 \div 1,5$ ml pro Nachspülen pro Zacke, das entspricht ungefähr $1,2 \div 1,8$ g Produkt mit Dichte gleich $1,2 \text{ kg/dm}^3$). Für die Wassermenge in der Wanne siehe die technischen Daten.
- Für Angaben bezüglich der Produktmenge zur ersten Eichung siehe die Angaben des Produktherstellers zur Dosierung.
- Die Feineinstellung erfolgt nach Bewertung der Ergebnisse von mindestens drei Spülzyklen, um gleichmäßige Ergebnisse zu haben.

- **Am Zyklusende darf sich kein Schaum in der Wanne befinden.**
- Ist Schaum in der Wanne, muss als erstes die Art des verwendeten Spülmittels kontrolliert und dieses gegebenenfalls durch ein geeignetes Spülmittels ausgewechselt werden. Bildet sich weiterhin Schaum, muss die richtige Wassertemperatur in der Wanne überprüft und eventuell die Spülmittelmenge soweit reduziert werden, bis sich kein Schaum mehr bildet.
- Für die mitgelieferten Dosiervorrichtungen dürfen nur Spülmittel benutzt werden, bei denen die Herstellerempfehlung weniger als 5 g/ Liter beträgt.

Kap 7 ABBAUEN



Der Abbau darf nur von ausgebildetem und autorisiertem Fachpersonal vorgenommen werden.

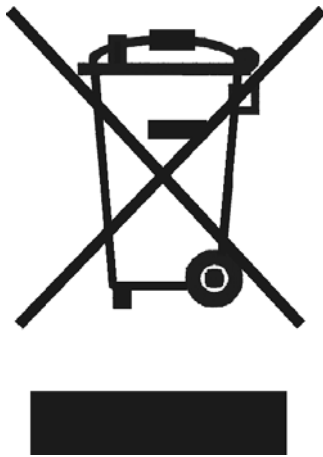
- **Die Stromversorgung zur Maschine am externen Hauptschalter trennen.**
 - **Den externen Hahn für die Wasserversorgung schließen.**
 - **Die Maschine vollständig von der Strom- und Wasserversorgung trennen.**
 - Alle Wasserkreisläufe, die Dosiervorrichtungen, die Pumpen und den Boiler entleeren, reinigen und präparieren.
 - Entleeren Sie die Spülmittel- und Klarspülerdosierer samt dazugehörigen Leitungen; entsorgen Sie die Spül- und Klarspülmittel umweltgerecht (wenden Sie sich bei Fragen hinsichtlich der Entsorgung an den Hersteller der benutzten Produkte).
-

Kap 8 ENTSORGUNG

An unseren Maschinen gibt es keine Materialien, für die besondere Entsorgungsmaßnahmen benötigt werden.

8.1 Korrekte Entsorgung Produkts

(Elektromüll)



(Anzuwenden in den Ländern der Europäischen Union und anderen euroäischen Ländern mit einem separafen Sammelsystem)
Die Kennzeichnung auf dem Produkt bzw., auf der dazugehörigen Literaut gibtan, dass es nach seiner Lebesdauer nicht zusammen mit der normalen Haushaltsmüll entsorgt werden darf. Entsorgen Sie dieses Gerät bitte getrennt von andern Abfällen, um der Umwelt bzw. der menschlchen Gesundheit nicht durch unkontrollirte Müllbeseitigung zu stofflichen Ressourcen zu fördern.

Private Nutzer sliten den Händler, bei dem das Produkt gekauft wurde, oder die zuständigen Behörden kontaktieren, um in Erfahrung zu brigen, wie sie das Gerät auf umweltfreundliche Weise recycein können.

Gewerbliche Nutzer sollten sich an thren Lieferanten wenden und die Bedingungen des Verkaufsvertrags konsultieren. Dieses Produkt darf nicht zusammen mit anderem Geerbemüll entsorgt werden.

TABLE DES MATIÈRES

CHAP 1	PREFACE	2
CHAP 2	INSTALLATION	2
2.1	DÉSEMBALLAGE	2
2.2	POSITIONNEMENT	2
2.3	BRANCHEMENT ÉLECTRIQUE.....	3
2.4	BRANCHEMENT HYDRAULIQUE	3
2.5	BRANCHEMENT À LA LIGNE D'ÉVACUATION.....	4
CHAP 3	RISQUES ET AVERTISSEMENTS IMPORTANTS	4
CHAP 4	UTILISATION DE LA MACHINE	5
4.1	SIGNIFICATION DES SYMBOLES UTILISÉS	5
4.2	MISE EN MARCHÉ	5
4.3	REPLISSAGE ET CHAUFFAGE	5
4.4	CYCLE DE LAVAGE.....	5
4.5	ARRÊT DE LA MACHINE	6
4.6	VIDAGE DE LA MACHINE	7
4.6.1	<i>Machine sans pompe d'évacuation</i>	7
4.6.2	<i>Machine avec pompe d'évacuation</i>	7
4.7	RÉGÉNÉRATION	7
4.8	FIN DE SERVICE.....	8
CHAP 5	ENTRETIEN	8
5.1	NETTOYAGE ET HYGIÈNE	8
5.2	ENTRETIEN COURANT (JOURNALIER)	8
5.3	ENTRETIEN HEBDOMADAIRE.....	9
5.4	ENTRETIEN ANNUEL	10
CHAP 6	RÉGLAGES ET CONTRÔLES	10
6.1	DOSEURS	10
6.1.1	<i>Doseur liquide de rinçage</i>	10
6.1.2	<i>Appareil sans doseur de liquide de lavage</i>	11
6.1.3	<i>Appareil avec doseur de liquide de lavage (disponible sur demande)</i>	11
CHAP 7	DESINSTALLATION	12
CHAP 8	MISE EN DÉCHETTERIE	12
8.1	COMMENT ÉLIMINER CE PRODUIT	12

Le constructeur se réserve selon les termes de la loi la propriété du document présent avec interdiction de reproduction et de divulgation par n'importe quel moyen sans préalable autorisation écrite de sa part.

Le constructeur se réserve le droit d'apporter des modifications sans préavis afin de réaliser des améliorations qu'il aura jugé nécessaires.

Le non respect des indications fournies dans la documentation ci-jointe compromettrait la sûreté de l'appareil et ferait immédiatement déchoir la garantie.



Les avertissements contenus dans ce manuel fournissent d'importantes indications concernant la sécurité durant les différentes phases d'installation, utilisation et entretien.

Conserver soigneusement toute la documentation dans un environnement proche de l'appareil; la remettre aux techniciens aptes à l'utilisation de l'appareil. **Le technicien a l'obligation de lire, comprendre et apprendre ce manuel avant de commencer une quelconque opération sur l'appareil.** L'appareil est destiné au lavage professionnel de la vaisselle pour les collectivités c'est pourquoi l'installation, l'utilisation et l'entretien restent exclusivement destinés à un personnel formé qui observe les intructions du constructeur. Ne pas laisser à la portée des enfants. Le choix des matériaux, la construction selon les directives de sûreté de la CE et une révision complète garantissent la qualité de l'appareil. En plus de ce manuel, sont présents dans l'appareil :

- schéma électrique
- table topographique

Le constructeur décline toutes responsabilités pour dommages matériels ou aux personnes dûs à l'inobservance des instructions données ou à une utilisation inappropriée de l'appareil.

Chap 2 INSTALLATION

Une installation correcte est fondamentale pour le bon fonctionnement de l'appareil. Certaines données nécessaires pour l'installation de l'appareil sont repérables sur la plaque signalétique apposée sur le côté droit de l'appareil lui-même et en copie sur la couverture de ce manuel



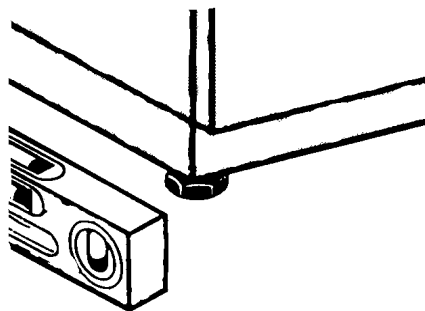
L'installation doit être exclusivement exécutée par des techniciens qualifiés et autorisés.

2.1 Désemballage

Vérifier l'intégrité de l'emballage et écrire sur la feuille de livraison les éventuelles détériorations subies. Après avoir éliminé l'emballage **s'assurer que l'appareil est intact**; si l'appareil est détérioré, avvertir immédiatement le revendeur par fax ou par recommandé avec A.R et le transporteur qui n'a pas effectué le transport. Si les dommages sont suffisants à pouvoir porter préjudice à la sûreté de l'appareil ne pas l'installer ni l'utiliser jusqu'à l'intervention d'un technicien qualifié.



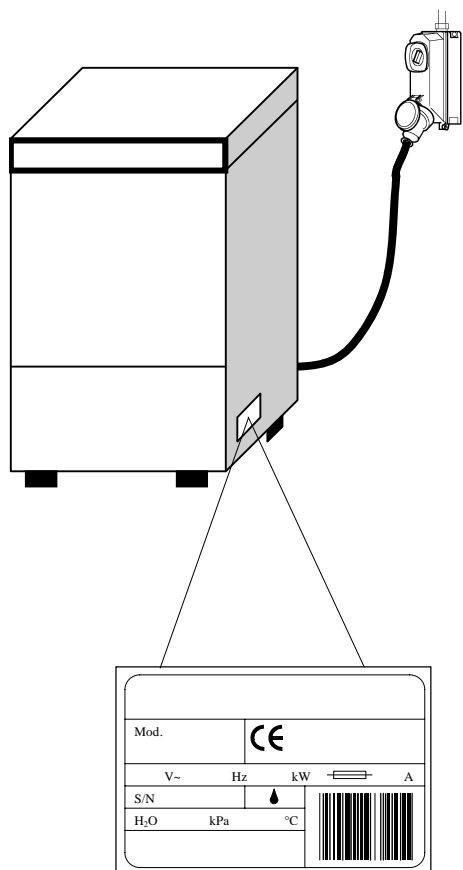
Les éléments de l'emballage (sacs en plastique, polystyrène expansé, clous ect ...) ne doivent pas être laissés à la portée des enfants et des animaux domestiques car ils représentent un danger potentiel.



2.2 Positionnement

- Vérifier que les objets ou matériaux se trouvant dans la zone d'installation et qui pourraient être endommagés par la vapeur d'eau sortant de l'appareil pendant son fonctionnement soient absents ou suffisamment protégés.
- Pour garantir la stabilité, installer et niveller l'appareil sur ses quatre pieds.
- Les différentes solutions d'installation doivent être prises en accord et approuvées par le constructeur.

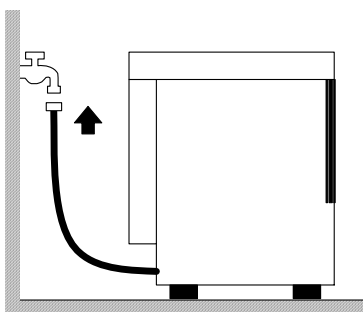
2.3 Branchement électrique



- **Un interrupteur général de type onnipolaire doit être préexistant de façon à interrompre tous les contacts, y compris le neutre. Il doit y avoir une distance d'au moins 3 mm entre les contacts ouverts, un déclenchement magnétothermique de sécurité ou accouplé à des fusibles.** Dimensionner ou tarrer les contacts en conformité à la puissance indiquée sur la plaque signalétique de l'appareil.
- L'interrupteur général doit se trouver sur la conduite électrique près de l'installation et ne doit servir exclusivement qu'un appareil à la fois.
- Tension et fréquence du réseau électrique doivent coïncider avec ceux de la plaque signalétique.
- Une installation de mise à terre efficace doit être présente qui soit correspondante aux normes de prévention en vigueur afin de garantir la sécurité de l'opérateur et de l'appareil.
- Le câble d'alimentation exclusivement de type H07RN-F, ne doit être ni mis en traction ni aplati durant le fonctionnement ou l'entretien quotidien.
- La barette nybloc d'équipotentialité fixé au corps doit être branché à un câble d'équipotentialité de section adaptée à l'application.
- **Respecter les polarités indiquées sur le schéma électrique.**
- Pour de plus amples informations consulter le schéma électrique ci-joint.



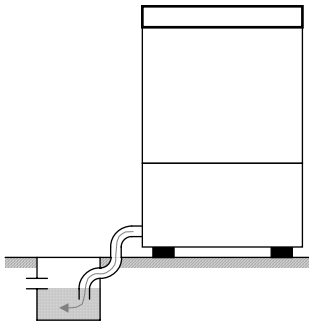
Ne pas utiliser d'adaptateurs, de prises multiples, de câbles de type ou de section inadaptés ou avec des jonctions de rallonge non conformes aux normes d'installation électrique en vigueur.



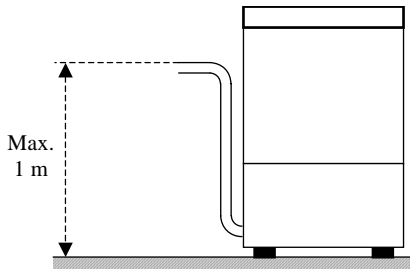
2.4 Branchement hydraulique

L'appareil doit être raccordé au réseau hydraulique à l'aide d'un tube flexible. Entre le réseau hydraulique et l'électrovalve de l'appareil il doit y avoir une vanne d'arrêt à tiroir, sphère ou rideau **capable d'arrêter rapidement et complètement l'eau si nécessaire**. La vanne d'arrêt doit se trouver sur la ligne juste avant l'appareil.

- Si l'installation est neuve ou a été peu utilisée, faire couler l'eau pendant quelque temps avant de procéder au raccord.
- L'alimentation en eau, température et pression **doit être compatible** avec ce qui est indiqué sur la plaque signalétique technique de l'appareil.
- Si la dureté de l'eau est supérieure à 14 F (8 dH) nous conseillons d'utiliser l'appareil avec un adoucissant interne (disponible sur demande). Si la dureté de l'eau est supérieure à 35 F (19,5 dH) nous conseillons d'installer un adoucissant externe avant l'électrovalve.



Evacuation libre

Avec pompe d'évacuation (disponible sur demande)

2.5 Branchement à la ligne d'évacuation

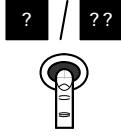
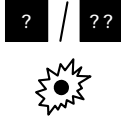
- **La ligne d'évacuation doit être formée d'un siphon libre** de dimension adaptée à la portée du tuyau d'évacuation fourni avec l'appareil. Le tuyau doit pouvoir rejoindre le siphon, **sans être trop tiré, plié, écrasé, pressé ou forcé.**
- La vidange de la cuve se fait par gravité c'est pourquoi l'évacuation doit se trouver à un **niveau inférieur à la base de l'appareil.**
- Dans le cas où l'évacuation ne serait pas à un niveau inférieur à la base de l'appareil, il est possible d'utiliser la version équipée d'une pompe d'évacuation (disponible sur demande)
- Dans ce cas la hauteur maximum de l'évacuation est égale à 1 m.
- Toujours vérifier que l'évacuation fonctionne correctement et qu'elle ne soit pas bouchée.
- Toute autre solution doit être prise en accord et approuvée par le constructeur.

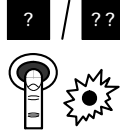
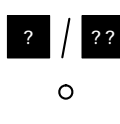
Chap 3 RISQUES ET AVERTISSEMENTS IMPORTANTS

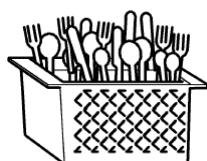
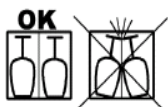
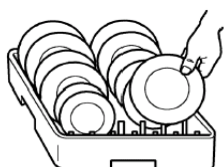
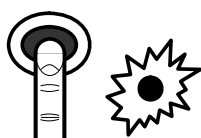
- Cet appareil est uniquement destiné à l'utilisation pour laquelle il a été spécialement conçu. Toute autre utilisation serait considérée comme impropre et donc dangereuse.
- **Le personnel spécialisé qui effectue l'installation est tenu d'instruire correctement l'utilisateur sur le fonctionnement de l'appareil et les éventuelles mesures de sécurité à respecter en fournissant au besoin une démonstration pratique.**
- Tout type d'intervention sur l'appareil, même en cas de panne, devra être exclusivement effectué par un personnel qualifié provenant de la maison constructrice ou d'un centre d'assistance autorisé, **en utilisant exclusivement les pièces de rechange originales.**
- Toujours débrancher ou isoler l'appareil du réseau électrique et hydraulique avant d'effectuer des mesures d'entretien, réparations et nettoyage.
- L'appareil **NE DOIT JAMAIS** être utilisé par un personnel non formé.
- L'appareil **NE DOIT JAMAIS** rester sous tension lorsqu'il n'est pas utilisé.
- **NE JAMAIS** ouvrir vite la porte de l'appareil tant que le cycle n'est pas terminé.
- **NE JAMAIS** utiliser l'appareil sans les protections prévues par le constructeur.
- **NE JAMAIS** utiliser l'appareil pour laver des objets de type, forme, mesure ou matériau non garantis pour le lavage en machine et pas parfaitement intègres.
- **NE JAMAIS** utiliser l'appareil ou ses parties en tant que marche ou support pour les personnes, objets ou animaux.
- **NE JAMAIS** surcharger la porte des appareils à chargement frontal dont les dimensions sont prévues pour soutenir uniquement le panier et la vaisselle.
- **NE JAMAIS** plonger les mains nues dans les solutions de lavage.
- **NE JAMAIS** renverser la machine après son installation.

Chap 4 UTILISATION DE LA MACHINE

4.1 Signification des symboles utilisés

	Appuyer sur la touche correspondant à un des symboles indiqués.
	Le voyant correspondant à un des symboles indiqués s'allume.

	Appuyer sur la touche correspondant à un des symboles indiqués. Le voyant correspondant s'allume.
	Le voyant correspondant à un des symboles indiqués s'éteint.



4.2 Mise en marche

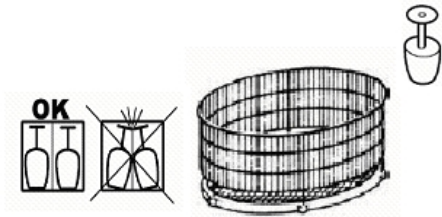
1. Ouvrir le robinet d'arrivée d'eau et brancher l'interrupteur général d'électricité.
2. Vérifier la présence d'un trop-plein.
3. Appuyer sur le bouton "marche / arrêt" indiqué à côté. Le voyant correspondant s'allume, si existant.

4.3 Remplissage et chauffage

- Si le bac est vide, la machine commence à se remplir automatiquement à la mise en marche.
- Si le bac est plein, le chauffage commence. Le voyant correspondant s'allume sur les machines où il est présent.
- Le voyant s'éteint quand la cuve et le chauffe-eau ont atteint la température établie.
- Pour réduire le temps d'attente, il est possible d'effectuer un cycle à vide 5÷10 minutes après la mise en marche.

4.4 Cycle de lavage

- Contrôler la présence de liquides de lavage et rinçage. Les informations concernant le type de produit à utiliser et le dosage (automatique et manuel) se trouvent au chapitre "Réglages et contrôles".
- Utiliser un panier adapté, le remplir sans le surcharger et sans superposer les couverts. **Toujours débarrasser les couverts de leurs résidus**; ne pas mettre les couverts contenant des résidus secs ou solides.
- Placer les récipients vides retournés dans le panier. Mettre les assiettes et assimilés dans le panier incliné approprié avec la surface interne tournée vers le haut. Mettre les couverts mixtes dans le panier approprié avec les manches tournés vers le haut.
- **Laver uniquement la vaisselle adaptée à ce type de machine.**
- Il est conseillé de laver la vaisselle aussitôt après son utilisation afin d'éviter que les saletés ne durcissent ou ne se fixent sur la vaisselle.



Pour les versions avec panier tournant :

- Si possible, mettre en fonction le cycle uniquement lorsque le panier est plein et la vaisselle répartie uniformément dans celui-ci.
- La vaisselle plus légère doit être chargée au centre du panier, celle plus lourde vers l'extérieur.
- La vaisselle plus étroite doit être chargée au centre du panier, celle plus large vers l'extérieur.

- Charger le panier dans la machine et fermer la porte.
- **Pour les versions avec panier tournant, s'assurer que le mouvement rotatif du panier ne présente pas de points durs, en imprimant au panier une légère poussée dans le sens des aiguilles d'une montre. Fermer ensuite la porte et démarrer le cycle.**
- Pour éviter les dommages, n'utiliser que la vaisselle en bon état et garantie pour le lavage en machine.
- Ne pas mettre les couverts en argent et en acier inoxydable dans le même panier. L'argent noircirait et l'acier pourrait rouiller.



Dans les machines où il existe différents temps de lavage, sélectionner le temps de lavage adéquat au moyen de l'interrupteur « sélection temps » indiqué à côté.



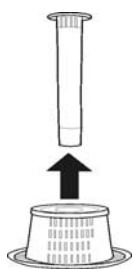
- Pour mettre le cycle en marche, appuyer sur le bouton "start / mise en marche" comme indiqué à côté.
- Dans les machines où il est présent, le "voyant de cycle" s'allume pour signaler que le cycle de lavage fonctionne.
- Après la phase de lavage, les phases de rinçage et d'évacuation de l'eau partent automatiquement puis le cycle se termine. Le voyant s'éteint à la fin du cycle.

- Si la porte est accidentellement ouverte durant le cycle, la machine s'arrête automatiquement. Pour reprendre la cycle là où il a été interrompu, il suffit de refermer la porte.
- Pour obtenir un séchage rapide, sortir immédiatement le panier de la machine à la fin du cycle.
- **Si la solution de lavage apparaît sale ou si on remarque des résidus de saleté sur le filtre du bac, procéder à l'entretien ordinaire comme expliqué au chapitre "Entretien".**
- **Pour effectuer les cycles successifs, répéter les gestes décrits au paragraphe "Cycle de lavage".**



4.5 Arrêt de la machine

Appuyer sur la touche "marche/arrêt" comme indiqué à côté. Le voyant correspondant s'éteint sur les machines où il est présent.



4.6 Vidage de la machine

4.6.1 Machine sans pompe d'évacuation

1. Eteindre la machine comme indiqué au paragraphe ci-dessus "Arrêt de la machine".
2. Extraire le trop-plein: attendre que le bac soit complètement vide.

4.6.2 Machine avec pompe d'évacuation

1. Eteindre la machine comme indiqué au paragraphe ci-dessus "Arrêt de la machine".
2. Extraire le trop-plein et fermer la porte.
3. Appuyer sur le bouton "pompe d'évacuation" indiqué à côté pour évacuer.
4. Pour les machines sans bouton "pompe d'évacuation", éteindre la machine comme indiqué au paragraphe "Arrêt de la machine".
5. Extraire le trop-plein et fermer la porte
6. Appuyer sur le bouton "start/mise en marche du cycle" indiqué à côté pour évacuer.

- Quand le bac est complètement vide, nettoyer la machine comme décrit au paragraphe "Entretien".
- Eteindre la machine chaque fois qu'on doit extraire le trop-plein.

4.7 Régénération

Si la machine est équipée d'un adoucisseur d'eau interne (disponible sur demande), il faut effectuer périodiquement la régénération des résines afin de rétablir le bon fonctionnement de l'adoucisseur. Le nombre de cycle entre une régénération et l'autre doit être établie sur la base de la dureté de l'eau d'après le tableau suivant.

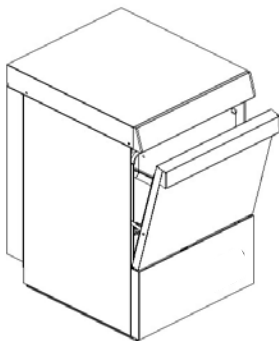
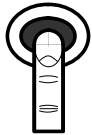
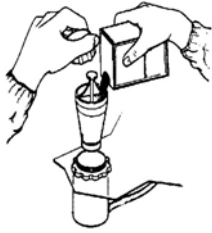
dH	F	N° Cycles
6,0	10	153
6,5	11	147
7,0	12	140
7,5	13	133
8,0	14	127
8,5	15	120
9,0	16	113

dH	F	N° Cycles
9,5	17	107
10,0	18	100
10,5	19	93
11,0	20	87
12,0	21	83
12,5	22	80
13,0	23	77

dH	F	N° Cycles
13,5	24	73
14,0	25	70
14,5	26	67
15,0	27	63
15,5	28	60
16,0	29	57
17,0	30	53

dH	F	N° Cycles
17,5	31	52
18,0	32	50
18,5	33	48
19,0	34	47
19,5	35	43

- Il est conseillé d'effectuer la régénération durant les pauses de travail.
- Eteindre la machine comme indiqué au paragraphe "Arrêt de la machine".
- Vider la machine comme indiqué au paragraphe "Vidage de la machine".
- Nettoyer la machine comme indiqué au chapitre "Entretien". A la fin du nettoyage, réouvrir le robinet d'arrivée d'eau et brancher l'interrupteur général d'électricité.



- Vérifier que le trop-plein a été enlevé.
- Ouvrir le récipient du sel à l'intérieur du bac.
- Verser dans le récipient environ 250g de sel régénérant (sel de cuisine sans additifs en grain de 1 ou 2 mm de diamètre).
- Refermer fermement le récipient.
- Fermer la porte

- **Sans allumer la machine**, appuyer sur le bouton "start / mise en marche du cycle" jusqu'à ce que le « voyant de cycle » correspondant s'allume.
- Le cycle de régénération commence et continue pendant environ 20 minutes.

- Quand le voyant de cycle s'éteint, la régénération est terminée.

A la fin du cycle de régénération, avec le bac vide et l'absence de trop-plein, il est conseillé de:

- Allumer la machine en appuyant sur la touche "marche / arrêt" indiqué à côté
- Laisser couler l'eau environ 1 mn de façon à éliminer les résidus sales de la cuve.
- Eteindre la machine avec la touche marche/ arrêt et réinsérer le trop-plein.

La machine est à nouveau prête pour être chargée.

4.8 Fin de service

- Au terme de la journée, vidanger toujours la machine comme décrit au paragraphe "Vidange machine".
- **Couper l'alimentation électrique de la machine en agissant sur l'interrupteur général et fermer le robinet extérieur d'arrivée d'eau.**
- Effectuer l'entretien courant et nettoyer la machine comme décrit au paragraphe "Entretien".
- Laisser autant que possible la porte entrouverte pour éviter la présence de mauvaises odeurs à l'intérieur.

Chap 5 ENTRETIEN



Avant d'effectuer toute opération d'entretien, évacuer complètement l'eau comme décrit au paragraphe "Vidage de la machine", couper l'électricité par l'interrupteur général externe et fermer le robinet externe d'arrivée d'eau.

5.1 Nettoyage et hygiène

Pour garantir un niveau d'hygiène optimal, il faut effectuer **régulièrement les opérations d'entretien courant (journalier), hebdomadaire et annuel** indiquées ci-après. De plus, il faut faire un traitement périodique d'assainissement avec des produits adaptés et non corrosifs que l'on trouve dans le commerce.

5.2 Entretien courant (journalier)

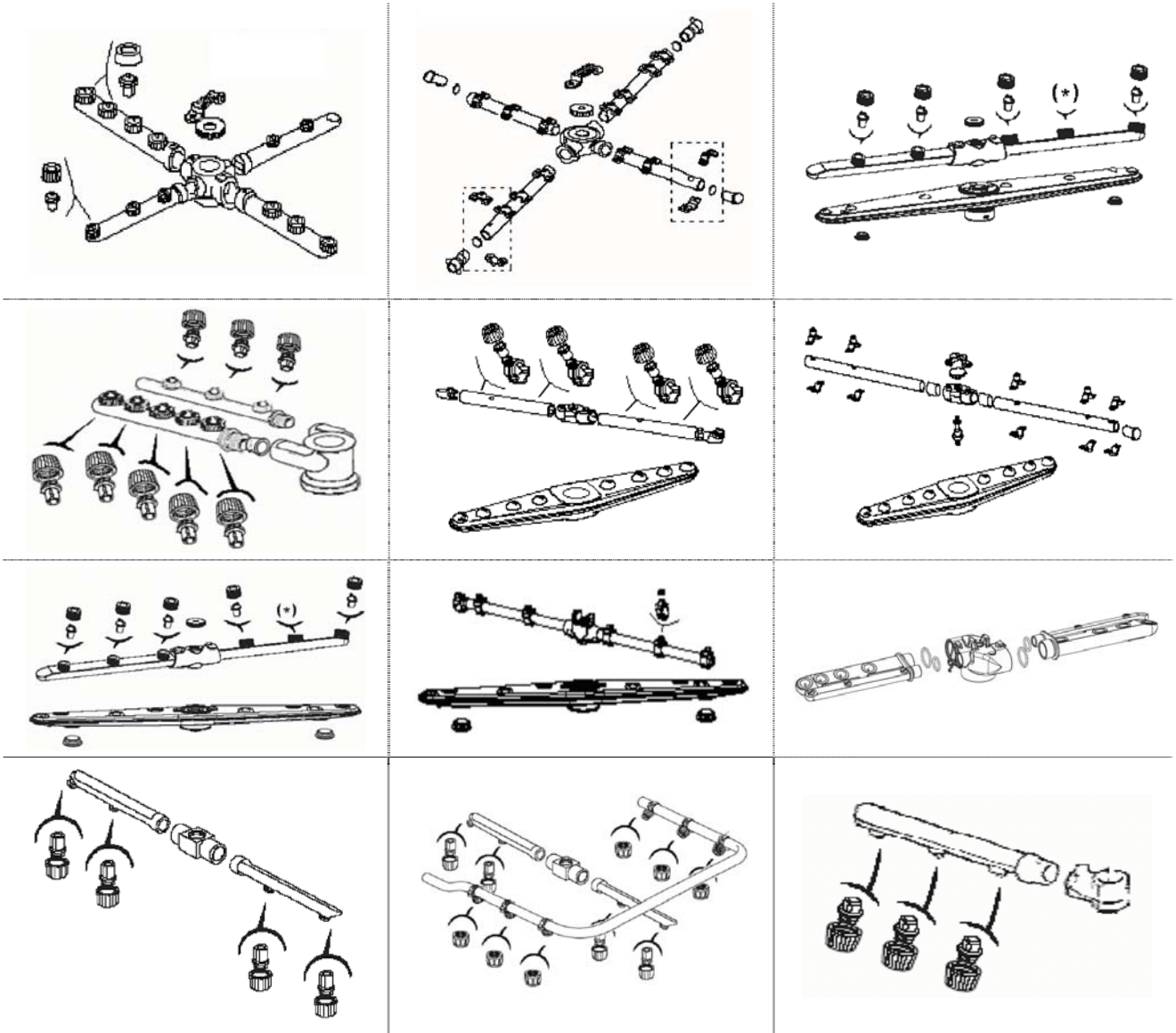
- Quand on remarque des résidus sales sur le filtre du bac.

- Enlever et nettoyer les paniers, le trop-plein et le filtre.
- Pour nettoyer le bac en acier, ne pas utiliser d'objet ni de produits abrasifs; utiliser un linge humide légèrement savonné.
- Ne pas utiliser de jets d'eau comprimés car cela pourrait abimer l'installation électrique.

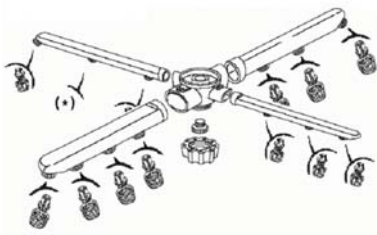
5.3 Entretien hebdomadaire

- Effectuer l'entretien courant.
- Enlever et nettoyer les bras et les gicleurs de lavage et de rinçage.

Les illustrations ci-après montrent les dispositions possibles des bras de lavage/rinçage supérieurs et inférieurs.



(*) Aspersion fermée. Pas de gicleurs.



- Nettoyer les axes de rotation des bras ainsi que la zone de sortie d'eau de lavage et de rinçage.
- Nettoyer parfaitement la cuve et la machine en utilisant des désinfectants non abrasifs.
- Remonter correctement les gicleurs, bras et filtres en veillant à l'inclinaison et à l'accouplement des bras dans leurs logements respectifs.

5.4 Entretien annuel

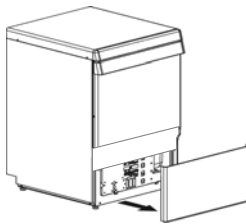
Faire effectuer un contrôle scrupuleux de la machine par un technicien spécialisé. En particulier:

- Enlever les dépôts dans la cuve.
- Démontez et nettoyez complètement les bras et les gicleurs de lavage et rinçage.
- **Nettoyer soigneusement l'obturateur introduit dans la colonne de direction du bras de lavage inférieur et la zone de sortie d'eau.**
- Remonter correctement l'obturateur, le pivot et les bras de lavage et rinçage.
- Contrôle du bon état des rondelles de retenue et de l'usure des autres pièces (pompe, doseur, ect..)
- Contrôle du réglage des doseurs des liquides de rinçage et de lavage.
- Vérifier et éventuellement nettoyer les résistances.

S'il est prévu de ne pas utiliser la machine pendant une longue période, il faut la préparer de façon appropriée. Si, lors de la remise en marche on suspecte la présence de gel, ne pas utiliser la machine tant qu'un technicien qualifié n'aura pas inspecté le chauffe-eau et les tuyaux.

Chap 6 RÉGLAGES ET CONTRÔLES

Les opérations de réglage et de contrôle suivantes doivent être exclusivement effectuées par un personnel qualifié et agréé qui prêtera le soin et l'attention maximum et prendra les précautions nécessaires si la machine n'offre plus de sécurité



6.1 Doseurs



Avant de procéder au **réglage**, le ou les doseurs ainsi que les tuyaux d'alimentation doivent être pleins. Le réglage s'effectue au moyen des vis de réglage accessibles après avoir démonté le panneau frontal sous la porte du bac.

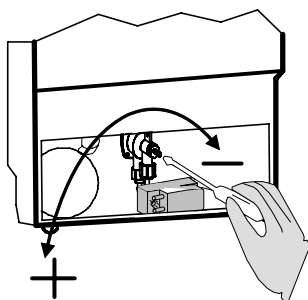


- **La garantie ne couvre pas les dommages consécutifs à une utilisation inadéquate du ou des doseurs ou à un dosage manuel erroné.**
- **Le choix et le dosage des liquides de lavage et de rinçage sont déterminants pour un bon résultat de lavage et pour la durée de l'appareil. N'utiliser que des produits liquides pour lavage industriel à mousse limitée.**
- **Les réglages doivent être effectués sur appareil chaud et avec produit bien dosé.**



6.1.1 Doseur liquide de rinçage

Le niveau du liquide de rinçage dans le conteneur doit être suffisant; il ne doit jamais descendre jusqu'au fond ni être rempli par des produits corrosifs ou impurs. Pour remplir le tuyau d'alimentation et le doseur, mettre la machine en marche, faire partir le cycle de lavage, attendre environ 20 secondes et appuyer sur la touche marche/arrêt  /  8-10 fois à des intervalles d'environ 10 secondes. Maintenir appuyé pour terminer le cycle de lavage.

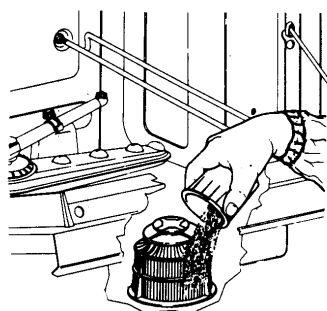


- En tournant la vis de réglage dans le sens des aiguilles d'une montre, la quantité de liquide de rinçage distribuée diminue, tandis qu'en la tournant dans le sens contraire des aiguilles d'une montre, elle augmente.
- Pour avoir une indication sur la quantité de produit au premier réglage, se référer aux doses indiquées par le fabricant du produit choisi.
- Le réglage doit être affiné en fonction des résultats de rinçage obtenus après un minimum de trois cycles pour stabiliser les résultats.

- Des rayures sur la vaisselle et la formation de mousse dans la solution de lavage indiquent un excès de liquide rinçage. Une vaisselle couverte de gouttes d'eau et un séchage lent indiquent un manque de liquide de rinçage.
- Pour obtenir d'excellents résultats, n'utiliser que les liquides de rinçage dont la dose conseillée par le fabricant est inférieure à 1.5 gr/litre.
- 7,9 cm de tuyau = 1 ml. de produit (= 1 gr de produit avec une densité égale à 1 kg/dm³). L'eau utilisée pour le rinçage est d'environ 3 litres/cycle.
- Ne pas modifier la différence de hauteur entre le bidon et la base de la machine après avoir établi le dosage.
- Si la différence de hauteur entre le bidon et la base de la machine est supérieure à 80 cm, le doseur pourrait ne pas fonctionner correctement.
- Si l'on n'utilise pas de liquide de rinçage, fermer complètement la vis de réglage du doseur.

6.1.2 Appareil sans doseur de liquide de lavage

Le dosage manuel est déconseillé car il ne garantit pas les excellents résultats du doseur automatique. Toutefois, si on n'utilise pas de doseur automatique, introduire le liquide de lavage dans la zone du filtre d'aspiration de la pompe tous les 5 cycles, selon la dose conseillée par le fabricant. Se référer aux données techniques pour connaître la quantité d'eau dans le bac alors que l'eau utilisée pour le rinçage est d'environ 3 litres. A chaque remplissage, ajouter le dose pour l'eau contenue dans la cuve et les 5 rinçages successifs. Pour les doses successives, il faudra uniquement ajouter le détergent nécessaire aux rinçages.

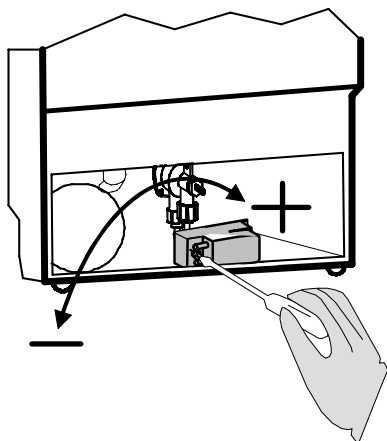


L'installation d'un doseur automatique de liquide de lavage est toujours conseillée.



6.1.3 Appareil avec doseur de liquide de lavage (disponible sur demande)

Le niveau de détergent dans le conteneur doit être suffisant; il ne doit jamais descendre jusqu'au fond ni être rempli par des produits corrosifs ou impurs. Pour charger le tuyau d'alimentation il suffit d'allumer la machine et effectuer le premier chargement avec le doseur branché.



- En tournant la vis de réglage dans le sens contraire des aiguilles d'une montre, la quantité de liquide de lavage distribuée diminue, tandis qu'en la tournant dans le sens des aiguilles d'une montre, elle augmente (de 1 ÷ 1,5 ml par rinçage par graduation qui correspondent à environ 1,2 ÷ 1,8 gr de produit avec une densité égale à 1,2 kg/dm³). Contrôler les données techniques de l'appareil pour connaître la quantité d'eau dans le bac.
- Pour avoir une indication sur la quantité de produit au premier réglage, se référer aux doses indiquées par le fabricant du produit choisi.
- Le réglage doit être affiné en fonction des résultats de rinçage obtenus après un minimum de trois cycles pour stabiliser les résultats.

- **Il ne pas y avoir de mousse dans le bac à la fin du cycle.**
 - Au cas où il y aurait de la mousse, contrôler en premier lieu le liquide lavage utilisé et éventuellement le remplacer par un détergent plus adapté. Si la mousse est toujours présente, vérifier que la température de l'eau dans le bac est correcte et éventuellement réduire le dosage du détergent jusqu'à la disparition totale de la mousse.
 - Pour les doseurs fournis, il faut utiliser uniquement des liquides de lavages dont la dose conseillée par le fabricant est inférieure à 5gr/litre.
-

Chap 7 DESINSTALLATION



La désinstallation ne peut être effectuée que par un personnel qualifié et autorisé.

- **Couper l'alimentation électrique par l'interrupteur général à l'extérieur.**
 - **Fermer le robinet d'arrivée d'eau externe.**
 - **Débrancher complètement l'appareil des réseaux d'alimentation électrique et hydraulique.**
 - Vider, nettoyer et préparer complètement tous les circuits hydrauliques internes, les doseurs, les pompes et la chaudière.
 - Vidanger totalement les doseurs des produits lessiviel et de rinçage, ainsi que les tuyaux qui sont branchés à ceux-ci, en prenant garde d'éliminer correctement les produits lessiviel et de rinçage (appeler le fournisseur des produits utilisés).
-

Chap 8 MISE EN DÉCHETTERIE

Aucun composant de nos appareils n'est soumis à une procédure d'élimination particulière.

8.1 Comment éliminer ce produit

(Déchet d'équipement électrique et électronique)



Ce symbole sur le produit ou sa documentation indique qu'il ne doit pas être éliminé en fin de vie avec les autres déchets ménagers. L'élimination incontrôlée des déchets pouvant porter préjudice à la santé humaine, veuillez le séparer des autres types de déchets et le recycler de façon responsable. Vous Favoriserez ainsi la réutilisation durable des ressources matérielles.

Les particuliers sont invités à contacter le distributeur leur ayant vendu le produit ou à se renseigner auprès de leur mairie pour savoir où et comment ils peuvent se débarrasser de ce produit afin qu'il soit recyclé en respectant l'environnement.

Les entreprises sont invitées à contacter leurs fournisseur et à consulter les condition sde leur contract de vente. Ce produit ne doit pas être éliminé avec les autres déchets commerciaux.

INDICE

CAP 1	PREFAZIONE	2
CAP 2	INSTALLAZIONE	2
2.1	DISIMBALLO	2
2.2	POSIZIONAMENTO	2
2.3	COLLEGAMENTO ELETTRICO	3
2.4	COLLEGAMENTO IDRAULICO	3
2.5	COLLEGAMENTO ALLA LINEA DI SCARICO	4
CAP 3	RISCHI ED AVVERTENZE IMPORTANTI	4
CAP 4	USO DELLA MACCHINA	5
4.1	SIGNIFICATO DELLA SIMBOLOGIA UTILIZZATA	5
4.2	ACCENSIONE	5
4.3	RIEMPIMENTO E RISCALDAMENTO	5
4.4	CICLO DI LAVAGGIO	5
4.5	SPEGNIMENTO MACCHINA.....	6
4.6	SVUOTAMENTO MACCHINA.....	6
4.6.1	<i>Macchine senza pompa di scarico</i>	6
4.6.2	<i>Macchine con pompa di scarico</i>	7
4.7	RIGENERAZIONE RESINE.....	7
4.8	FINE SERVIZIO.....	8
CAP 5	MANUTENZIONE	8
5.1	PULIZIA ED IGIENE	8
5.2	MANUTENZIONE ORDINARIA (GIORNALIERA).....	8
5.3	MANUTENZIONE SETTIMANALE	9
5.4	MANUTENZIONE ANNUALE.....	9
CAP 6	REGOLAZIONE E CONTROLLI	10
6.1	DOSATORI	10
6.1.1	<i>Dosatore brillantante</i>	10
6.1.2	<i>Apparecchio senza dosatore detergente</i>	11
6.1.3	<i>Apparecchio con dosatore detergente (disponibile su richiesta)</i>	11
CAP 7	DISINSTALLAZIONE	11
CAP 8	SMALTIMENTO	12
8.1	CORRETTO SMALTIMENTO DEL PRODOTTO	12

Il costruttore si riserva in termini di legge la proprietà del presente documento con divieto di riprodurlo e divulgarlo con qualsiasi mezzo senza sua previa autorizzazione scritta.

Il costruttore si riserva il diritto di apportare modifiche senza preavviso per realizzare i miglioramenti che ritiene necessari.

Cap 1 PREFERENZE

Il mancato rispetto delle indicazioni fornite nella documentazione allegata può compromettere la sicurezza dell'apparecchio e far decadere immediatamente la garanzia.



Le avvertenze contenute nel presente manuale forniscono importanti indicazioni riguardanti la sicurezza nelle varie fasi di installazione, uso e manutenzione.

Conservare tutta la documentazione con cura nei pressi dell'apparecchio; consegnarla ai tecnici ed agli operatori addetti all'utilizzo. **L'operatore ha l'obbligo di leggere, capire ed apprendere il presente manuale prima di avviare qualsiasi operazione sulla macchina.** L'apparecchio è destinato al lavaggio professionale di stoviglie per collettività quindi l'installazione, l'uso e la manutenzione, rimangono in ogni caso destinati a personale addestrato che osservi le istruzioni del costruttore. Non lasciare alla portata dei bambini. La scelta dei materiali, la costruzione secondo le direttive di sicurezza CE ed un completo collaudo garantiscono la qualità di questa macchina. Oltre al presente manuale, sono presenti nella macchina:

- schema elettrico
- tavola topografica

Il costruttore declina ogni responsabilità per danni a cose o persone derivanti dalla inosservanza delle istruzioni date o da un uso improprio della macchina.

Cap 2 INSTALLAZIONE

Una corretta installazione è fondamentale per il buon funzionamento della macchina. Alcuni dei dati necessari per l'installazione della macchina sono rilevabili sulla targhetta caratteristiche posta sul fianco destro della macchina stessa ed in copia sulla copertina di questo manuale.



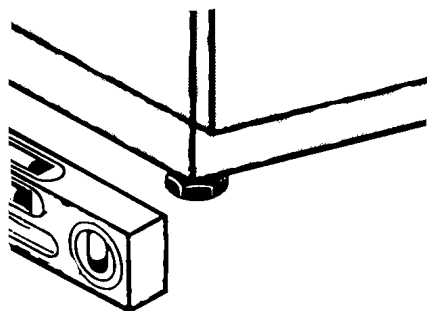
L'installazione deve essere eseguita esclusivamente da tecnici qualificati ed autorizzati.

2.1 Disimballo

Verificare l'integrità dell'imballo, scrivendo sulla bolla di consegna eventuali danni riscontrati. Dopo aver eliminato l'imballo **assicurarsi che l'apparecchio sia integro**; se la macchina è danneggiata, avvertire subito il rivenditore via fax o raccomandata R.R. ed il trasportatore che ne ha effettuato il trasporto. Se i danni sono tali da pregiudicare la sicurezza della macchina, non installare e/o utilizzare fino all'intervento di un tecnico qualificato.



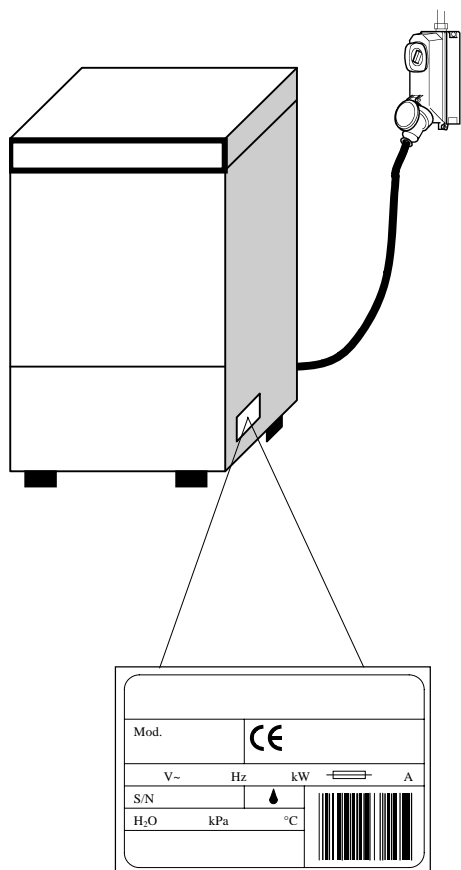
Gli elementi dell'imballo (sacchetti di plastica, polistirolo espanso, chiodi, etc. ...) non devono essere lasciati alla portata dei bambini ed animali domestici in quanto possibile fonte di pericolo.



2.2 Posizionamento

- Verificare che nella zona di installazione non ci siano, o siano sufficientemente protetti, oggetti e materiali che possono essere danneggiati da vapore acqueo che può uscire dalla macchina durante il funzionamento.
- Per garantire la stabilità, installare e livellare la macchina sui suoi quattro piedini.
- Diverse soluzioni di installazione devono essere concordate ed approvate dal costruttore.

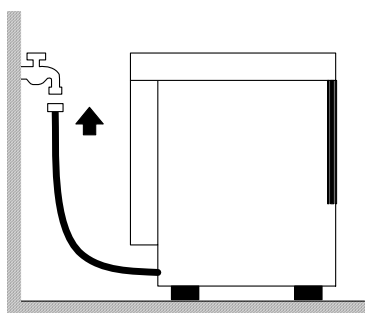
2.3 Collegamento elettrico



- **Deve essere presente un interruttore generale di tipo onnipolare, che interrompa tutti i contatti incluso il neutro, con distanza tra i contatti aperti di almeno 3 mm e con scatto magnetotermico di sicurezza od accoppiato a dei fusibili, da dimensionare o tarare in conformità alla potenza indicata sulla targhetta caratteristiche della macchina.**
- L'interruttore generale deve trovarsi sulla linea elettrica vicino all'installazione e deve servire esclusivamente un'apparecchiatura alla volta.
- Tensione e frequenza della rete elettrica devono coincidere con quelli della targhetta caratteristiche.
- **Deve essere presente un efficace impianto di messa a terra, secondo le vigenti norme di prevenzione, per la sicurezza dell'operatore e dell'apparecchiatura.**
- Il cavo di alimentazione, esclusivamente di tipo H07RN-F, non deve essere messo in trazione o schiacciato durante il normale funzionamento o la manutenzione ordinaria.
- Il morsetto di equipotenzialità fissato al corpo deve essere collegato ad un cavo di equipotenzialità di sezione adatta all'applicazione.
- **Rispettare le polarità indicate nello schema elettrico.**
- Per ulteriori informazioni consultare lo schema elettrico allegato.



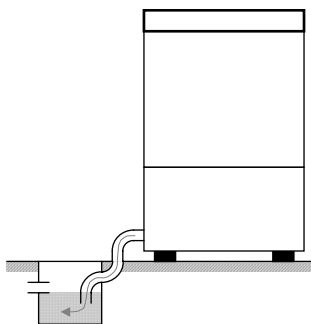
Non usare adattatori, prese multiple, cavi di tipo e di sezione non adeguata o con giunzioni di prolunga non conformi alle norme vigenti in materia di impiantistica.



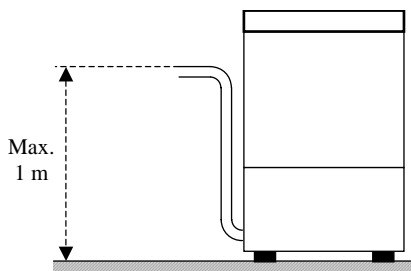
2.4 Collegamento idraulico

L'apparecchio va collegato alla rete idrica mediante un tubo flessibile. Tra la rete idrica e l'elettrovalvola dell'apparecchio deve essere presente una valvola di intercettazione a cassetto, a sfera od a saracinesca **in grado di chiudere rapidamente e completamente l'acqua se necessario**. La valvola d'intercettazione deve trovarsi sulla linea vicino ed subito prima dell'apparecchiatura.

- Se l'impianto è nuovo o poco usato, far scorrere a lungo l'acqua prima del collegamento.
- L'alimentazione d'acqua, temperatura e pressione, **devono essere compatibili** con quanto indicato in targhetta caratteristiche tecniche della macchina.
- Se la durezza dell'acqua è superiore ad 14 F (8 dH) consigliamo di utilizzare la macchina con addolcitore interno (disponibile su richiesta). Se la durezza dell'acqua è superiore ad 35 F (19,5 dH) consigliamo di installare un addolcitore esterno prima dell'elettrovalvola.



Scarico libero

Con pompa scarico (disponibile su richiesta)

2.5 Collegamento alla linea di scarico





- **La linea di scarico deve essere formata da un pozzetto sifonato libero** di dimensioni adeguate alla portata del tubo di scarico fornito con la macchina. Il tubo deve poter raggiungere il pozzetto, **senza essere tirato, costretto, piegato, schiacciato, premuto o forzato da nulla.**
- Lo svuotamento della vasca avviene per gravità, quindi lo scarico deve essere ad un **livello inferiore alla base della macchina.**
- Qualora lo scarico non sia ad un livello inferiore alla base della macchina, è possibile usare la versione provvista di pompa scarico (disponibile su richiesta).
- In questo caso l'altezza massima dello scarico è pari ad 1 m.
- Verificare sempre che lo scarico funzioni correttamente e che non sia intasato.
- Ogni altra soluzione deve essere preventivamente concordata ed approvata dal costruttore.





Cap 3 RISCHI ED AVVERTENZE IMPORTANTI

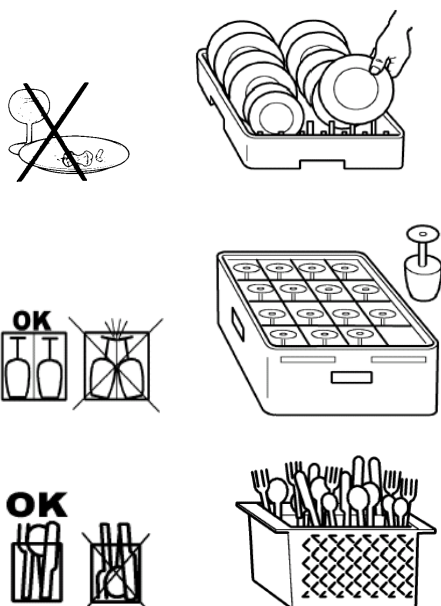
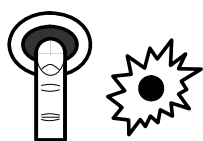
- Questo apparecchio è destinato solo all'uso per il quale è stato espressamente concepito. Ogni altro uso è da considerarsi improprio e quindi pericoloso.
- **Il personale specializzato che effettua l'installazione è tenuto ad istruire adeguatamente l'utente circa il funzionamento dell'apparecchio e le eventuali misure di sicurezza da rispettare, anche fornendo dimostrazioni pratiche.**
- Qualsiasi tipo di intervento sulla macchina, anche in caso di guasto, dovrà essere effettuato solamente dalla casa costruttrice o da un centro di assistenza autorizzato e da personale qualificato, **utilizzando esclusivamente ricambi originali.**
- Scollegare o isolare sempre la macchina dalla rete elettrica ed idrica prima di effettuare manutenzioni, riparazioni, e pulizia.
- La macchina **NON** deve essere utilizzata da personale non addestrato.
- La macchina **NON** deve rimanere sotto tensione quando non viene utilizzata.
- Non aprire **MAI** velocemente la porta della macchina se non ha finito il ciclo.
- Non utilizzare **MAI** la macchina senza le protezioni predisposte dal costruttore.
- Non utilizzare **MAI** la macchina per lavare oggetti di tipo, forma, misura, o materiale non garantiti per il lavaggio in macchina o non perfettamente integri.
- Non utilizzare **MAI** l'apparecchio o sue parti come scala o sostegno per persone, cose o animali.
- Non sovraccaricare **MAI** lo sportello aperto delle macchine a caricamento frontale, che è dimensionato per sostenere il solo cesto carico di stoviglie.
- Non immergere **MAI** le mani nude nelle soluzioni di lavaggio.
- Non rovesciare **MAI** la macchina dopo l'installazione.

Cap 4 USO DELLA MACCHINA

4.1 Significato della simbologia utilizzata

	<p> Premere il tasto che corrisponde ad uno dei simboli indicati.</p>
	<p> La spia che corrisponde ad uno dei simboli indicati si accende.</p>

	<p> Premere il tasto che corrisponde ad uno dei simboli indicati. L'analogica spia si accende.</p>
	<p> La spia che corrisponde ad uno dei simboli indicati si spegne.</p>



4.2 Accensione

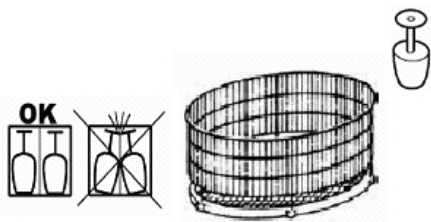
1. Aprire il rubinetto di rete dell'acqua ed inserire l'interruttore generale dell'elettricità.
2. Verificare la presenza del troppopieno.
3. Premere il pulsante di "accensione / spegnimento" a lato indicato. Se presente, la spia corrispondente si accende.

4.3 Riempimento e riscaldamento

- Se la vasca è vuota, la macchina inizierà a riempirsi automaticamente quando viene accesa.
- A vasca piena inizia il riscaldamento. Nelle macchine in cui è presente, la spia corrispondente si accende.
- Quando vasca e boiler raggiungono le temperature impostate, la spia si spegne.
- Per ridurre il tempo di attesa è possibile eseguire un ciclo a vuoto 5 – 10 minuti dopo l'accensione.

4.4 Ciclo di lavaggio

- Controllare la presenza di detersivo e brillantante. Informazioni sul tipo di prodotti da utilizzare e sul dosaggio (automatico o manuale) si trovano al capitolo "Regolazione e controlli".
- Usare un cesto adeguato, riempiendolo senza sovraccaricarlo e senza sovrapporre le stoviglie. **Effettuare sempre lo sbarazzo preliminare delle stoviglie;** non mettere stoviglie con residui secchi o solidi.
- Posizionare i recipienti vuoti rovesciati nel cesto. Inserire i piatti e simili nell'apposito cesto inclinati, con la superficie interna rivolta verso l'alto. Nel cestello apposito inserire le posate miste, con l'impugnatura rivolta verso il basso.
- **Lavare solamente le stoviglie adeguate al tipo di macchina.**
- Si consiglia di lavare le stoviglie subito dopo l'uso onde evitare l'indurimento e la fissazione dello sporco sulle stoviglie stesse.

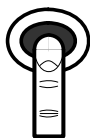
**Per le versioni con cesto rotante:**

- Se possibile, eseguire il ciclo solamente con cesto pieno, distribuendo uniformemente le stoviglie.
- Posizionare le stoviglie più leggere verso il centro del cesto, le più pesanti verso l'esterno.
- Posizionare le stoviglie più strette verso il centro del cesto, le più larghe verso l'esterno.

- Caricare il cesto in macchina e chiudere la porta.
- **Per le versioni con cesto rotante, verificare che il cesto ruoti liberamente, imprimendogli una leggera spinta in senso orario, poi chiudere la porta ed avviare il ciclo.**
- Per evitare rotture, usare solo stoviglie integre e garantite per il lavaggio a macchina.
- Non sistemare posate d'argento e d'acciaio inossidabile nello stesso cestello portaposate. Ne risulterebbe la brunitura dell'argento e la probabile corrosione dell'acciaio.



Nelle macchine in cui sono presenti diversi tempi di lavaggio, selezionare il tempo di lavaggio adeguato alle stoviglie mediante l'interruttore "selezione tempi" a lato indicato.



- Per avviare il ciclo premere il pulsante di "start / avvio ciclo" a lato indicato.
- Nelle macchine in cui è presente, la corrispondente "spia di ciclo" si accende per segnalare che il ciclo di lavaggio è in esecuzione.
- Dopo la fase di lavaggio partono automaticamente le fasi di risciacquo e scarico ed il ciclo termina. Alla fine del ciclo, la spia si spegne.

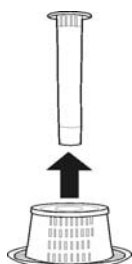
- Se durante il ciclo la porta viene accidentalmente aperta la macchina si ferma automaticamente. Per riprendere da dove interrotto è sufficiente richiudere la porta.
- Per avere un'asciugatura rapida, a fine ciclo estrarre immediatamente il cesto dalla macchina.
- **Se la soluzione di lavaggio risultasse troppo sporca o quando si notano residui di sporco sul filtro della vasca fare la manutenzione ordinaria come specificato nel capitolo "Manutenzione".**
- **Per eseguire cicli successivi, eseguire nuovamente le azioni descritte al paragrafo "Ciclo di lavaggio".**

**4.5 Spegnimento macchina**

Premere il tasto di "accensione / spegnimento" come a lato indicato. Nelle macchine in cui è presente, la spia corrispondente si spegne.

4.6 Svuotamento macchina**4.6.1 Macchine senza pompa di scarico**

1. Spegnere la macchina come indicato al paragrafo sopra "Spegnimento macchina".
2. Estrarre il troppopieno: attendere che la vasca sia completamente vuota.





4.6.2 Macchine con pompa di scarico

1. Spegner la macchina come indicato al paragrafo sopra “Spegnimento macchina”.
2. Estrarre il troppopieno e chiudere la porta.
3. Premere il pulsante “pompa scarico” a lato indicato per scaricare.
4. Per le macchine senza il pulsante “pompa scarico”, spegnere la macchina come indicato al paragrafo “Spegnimento macchina”.
5. Estrarre il troppopieno e chiudere la porta.
6. Premere il pulsante “start/ avvio ciclo” a lato indicato per scaricare.

- A vasca completamente vuota, pulire la macchina come descritto al capitolo “Manutenzione”.
- Spegner la macchina ogni volta che viene estratto il troppopieno.

4.7 Rigenerazione resine

Se la macchina è dotata dell'addolcitore interno (disponibile su richiesta), per ripristinare il corretto funzionamento dell'addolcitore occorre eseguire periodicamente la rigenerazione delle resine scambiatrici. Il numero di cicli tra una rigenerazione e l'altra va stabilito in base alla durezza dell'acqua secondo la tabella seguente.

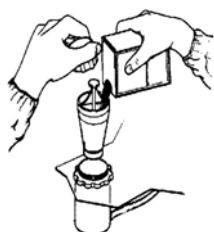
dH	F	N° Cicli
6,0	10	153
6,5	11	147
7,0	12	140
7,5	13	133
8,0	14	127
8,5	15	120
9,0	16	113

dH	F	N° Cicli
9,5	17	107
10,0	18	100
10,5	19	93
11,0	20	87
12,0	21	83
12,5	22	80
13,0	23	77

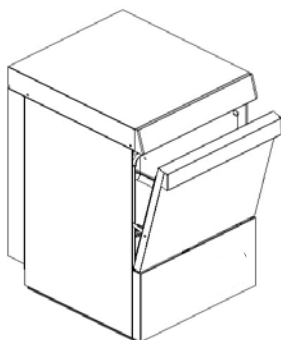
dH	F	N° Cicli
13,5	24	73
14,0	25	70
14,5	26	67
15,0	27	63
15,5	28	60
16,0	29	57
17,0	30	53

dH	F	N° Cicli
17,5	31	52
18,0	32	50
18,5	33	48
19,0	34	47
19,5	35	43

- Si consiglia di eseguire la rigenerazione durante le pause di lavoro.
- Spegner la macchina come indicato al paragrafo “Spegnimento macchina”.
- Svuotare la macchina come indicato al paragrafo “Svuotamento macchina”.
- Pulire la macchina come indicato al capitolo “Manutenzione”. Alla fine della pulizia aprire nuovamente il rubinetto di rete dell'acqua ed inserire l'interruttore generale dell'elettricità.



- Accertarsi che sia stato tolto il troppopieno.
- Aprire il contenitore di sale all'interno della vasca.
- Versare nel contenitore 250g circa di sale da rigenerazione (sale da cucina senza additivi in grani da 1 o 2 mm di diametro).
- Richiudere con forza il contenitore.
- Chiudere la porta



- **Senza accendere la macchina**, premere il pulsante di “start / avvio ciclo” fino a quando la corrispondente si accende la “spia di ciclo”.
- Il ciclo di rigenerazione inizia e continua per circa 20 minuti.

- Quando la spia di ciclo si spegne la rigenerazione è terminata.

Al termine del ciclo di rigenerazione, con la vasca vuota e senza troppopieno, si consiglia di:

- accendere la macchina premendo il tasto di “accensione / spegnimento a lato indicato
- lasciare scorrere l'acqua per circa 1 minuto, in modo da eliminare i residui di sale dalla vasca.
- Spegnerla la macchina per con il tasto di accensione / spegnimento e reinserire il troppopieno.

La macchina è pronta per essere caricata nuovamente.

4.8 Fine servizio

- A fine giornata, svuotare sempre la macchina come descritto al paragrafo “Svuotamento macchina”.
- **Togliere alimentazione elettrica tramite l'interruttore generale e chiudere il rubinetto esterno dell'acqua.**
- Eseguire la manutenzione ordinaria e pulire la macchina come descritto al paragrafo “Manutenzione”.
- Se possibile, lasciare la porta socchiusa per evitare la formazione di cattivi odori all'interno.

Cap 5 MANUTENZIONE



Prima di eseguire qualsiasi operazione di manutenzione, scaricare completamente l'acqua, come descritto al paragrafo “Svuotamento macchina”, togliere elettricità tramite l'interruttore generale esterno e chiudere la valvola esterna dell'acqua.

5.1 Pulizia ed igiene

Per garantire l'igiene della macchina devono essere eseguite **regolarmente le operazioni di manutenzione ordinaria (giornaliera), settimanale e annuale** indicate in seguito. Eseguire inoltre un trattamento periodico di sanitizzazione con adeguati prodotti, non corrosivi, da commercio.

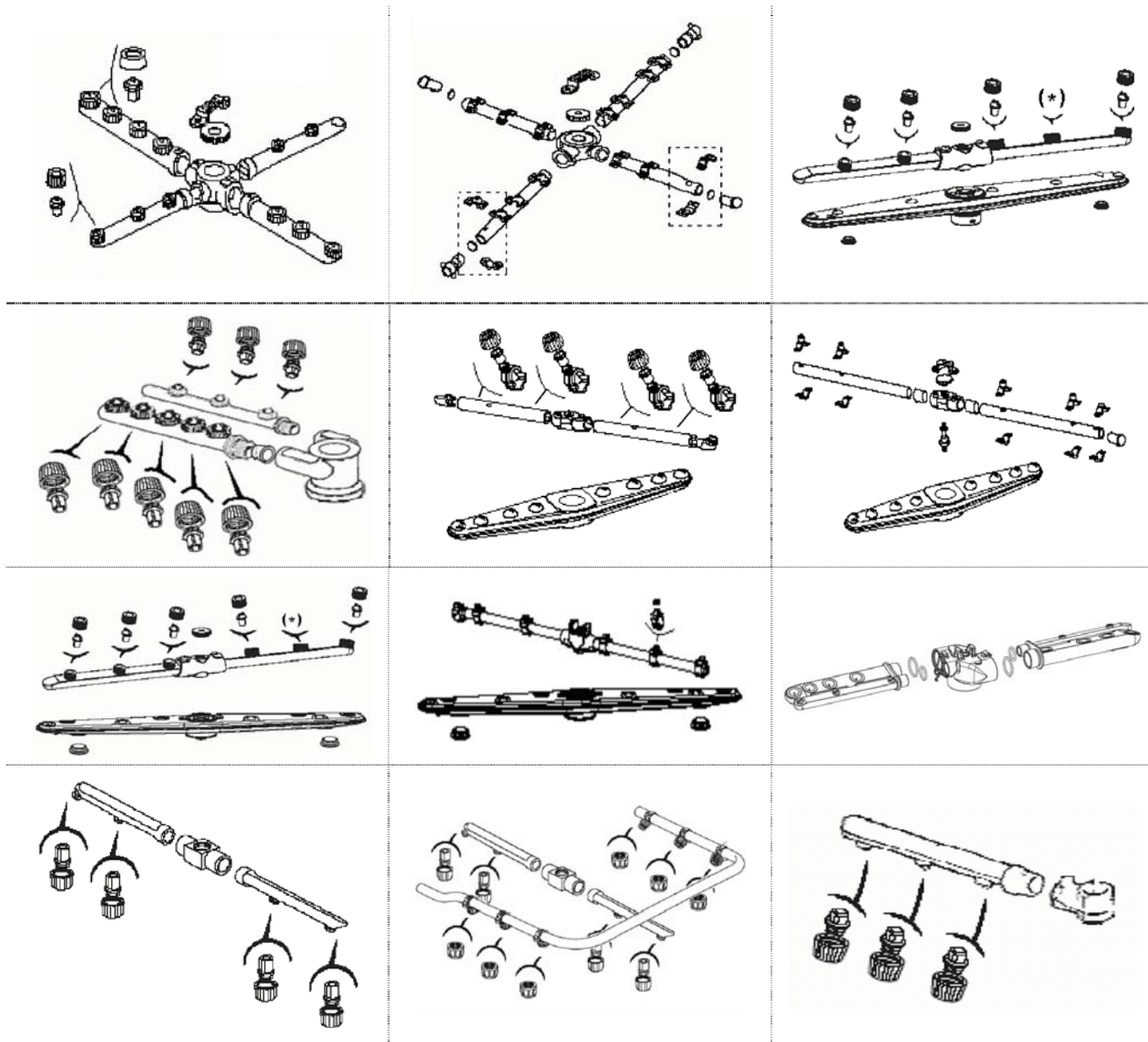
5.2 Manutenzione ordinaria (giornaliera)

- Quando si notano residui di sporco sul filtro vasca.
- Togliere e pulire i cesti, il troppopieno ed il filtro.
- Per pulire la vasca d'acciaio non usare prodotti od oggetti abrasivi; utilizzare invece un panno umido leggermente insaponato.
- Non usare getti d'acqua in pressione perché potrebbero danneggiare l'impianto elettrico.

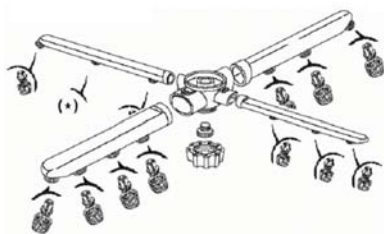
5.3 Manutenzione settimanale

- Eseguire la manutenzione ordinaria.
- Togliere e pulire bracci ed ugelli di lavaggio e risciacquo.

In seguito si illustrano le possibili configurazioni di bracci di lavaggio/risciacquo superiori ed inferiori.



(*) Spruzzo chiuso. Ugello non presente.



- Pulire i perni di rotazione dei bracci e la zona d'uscita dell'acqua di lavaggio e di risciacquo.
- Pulire accuratamente vasca e macchina, con prodotti disinfettanti non abrasivi.
- Rimontare correttamente ugelli, bracci e filtri prestando attenzione alle inclinazioni ed all'innesto dei bracci nelle rispettive sedi.

5.4 Manutenzione annuale

Far controllare accuratamente ad un tecnico specializzato la macchina. In particolare:

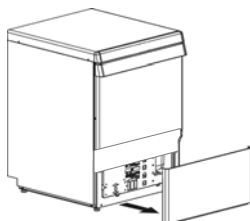
- Rimozione dei depositi dalla vasca.
- Smontare e pulire completamente bracci ed ugelli di lavaggio e risciacquo.

- **Pulire accuratamente il parzializzatore inserito nel piantone del braccio di lavaggio inferiore e la zona d'uscita dell'acqua.**
- Rimontare correttamente il parzializzatore, il perno ed i bracci di lavaggio e risciacquo.
- Controllo del buono stato delle guarnizioni di tenuta e dell'usura degli altri componenti come pompe, dosatori, ecc.
- Controllo della regolazione dei dosatori di brillantante e di detergente.
- Verificare ed eventualmente pulire le resistenze.

Se la macchina deve rimanere ferma per lunghi periodi è necessario farla preparare adeguatamente. Se alla nuova accensione si sospetta la presenza di ghiaccio, non utilizzare l'apparecchio finché un tecnico qualificato non abbia ispezionato boiler e tubi.

Cap 6 REGOLAZIONE E CONTROLLI

Le seguenti operazioni di regolazione e controllo devono essere eseguite esclusivamente da personale qualificato ed autorizzato, prestando la massima cura ed attenzione, prendendo le precauzioni necessarie se si devono escludere le sicurezze della macchina.



6.1 Dosatori



Prima di procedere con la **taratura**, il dosatore o i dosatori ed i tubi di alimentazione dovranno essere pieni. La taratura si effettua tramite le corrispondenti viti di regolazione accessibili con lo smontaggio del pannello frontale sotto la porta vasca.

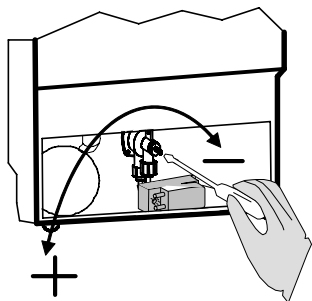


- **La garanzia non copre danni conseguenti ad un errato impiego del o dei dosatori o nel caso di errato dosaggio manuale.**
- **La scelta ed il dosaggio del detergente e del brillantante sono determinanti per il buon risultato del lavaggio e per la durata dell'apparecchio. Usare solo prodotti liquidi per lavaggio industriale a schiuma frenata.**
- **Le regolazioni vanno fatte a macchina calda e con prodotto ben dosato.**



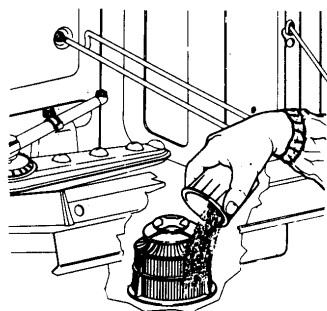
6.1.1 Dosatore brillantante

Il livello del brillantante nel contenitore deve essere sufficiente; non va mai fatto scendere fino allo svuotamento né rabboccato con prodotti corrosivi o impuri. Per riempire il tubo di alimentazione ed il dosatore, accendere la macchina, far partire il ciclo di lavaggio, attendere circa 20 secondi e premere il pulsante di "accensione / spegnimento"  /  per 8-10 volte ad intervalli di circa 10 secondi. Lasciare premuto per far terminare il ciclo di lavaggio.



- Ruotando la vite di regolazione in senso orario la quantità di brillantante erogata diminuisce, mentre ruotandola in senso antiorario essa aumenta.
- Per avere un'indicazione sulla quantità di prodotto per la prima taratura, fare riferimento alle dosi indicate dal fornitore di prodotto prescelto.
- La regolazione va affinata valutando i risultati di risciacquo ottenuti dopo almeno tre cicli, per stabilizzare i risultati.
- Striature sulle stoviglie e formazione di schiuma nella soluzione di lavaggio indicano eccesso di brillantante. Stoviglie coperte da gocce d'acqua ed una asciugatura piuttosto lenta indicano scarsità di brillantante.
- Per avere ottimi risultati utilizzare solo brillantanti la cui dose consigliata dal produttore sia minore di 1.5 gr/litro.
- 7,9 cm di tubo = 1 ml. di prodotto (= 1 gr di prodotto con densità pari a 1 kg/dm³). L'acqua utilizzata per il risciacquo è circa 3 litri/ciclo.

- Non modificare la differenza di altezza tra la tanica e la base della macchina dopo avere impostato il dosaggio.
- Se la differenza di altezza tra la tanica e la base della macchina è superiore agli 80 cm, il dosatore può non funzionare correttamente.
- Se non si utilizza il brillantante, chiudere completamente la vite di regolazione del dosatore stesso.

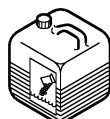


6.1.2 Apparecchio senza dosatore detergente

Il dosaggio manuale è sconsigliato in quanto non garantisce i risultati ottimali di un dosatore automatico. Se comunque non si utilizza un dosatore automatico, introdurre il detersivo nella zona del filtro di aspirazione della pompa ogni 5 cicli, secondo la dose consigliata dal fabbricante. Riferirsi ai dati tecnici per conoscere la quantità di acqua in vasca mentre l'acqua utilizzata per il risciacquo è circa 3 litri. Ad ogni riempimento aggiungere la dose per l'acqua contenuta nella vasca ed i 5 risciacqui successivi. Per le dosi successive si aggiungerà solo il detersivo necessario ai risciacqui.

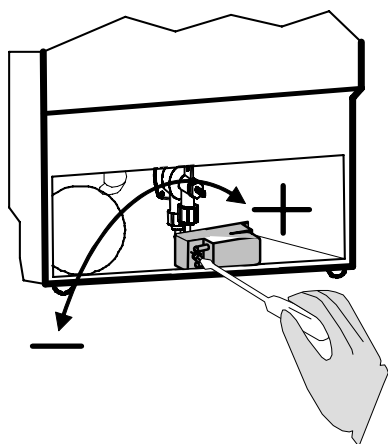


L'installazione di un dosatore automatico del detergente è sempre raccomandata.



6.1.3 Apparecchio con dosatore detergente (disponibile su richiesta)

Il livello del detergente nel contenitore deve essere sufficiente; non va mai fatto scendere fino allo svuotamento né rabboccato con prodotti corrosivi o impuri. Per caricare il tubo di alimentazione è sufficiente accendere la macchina ed effettuare il primo caricamento con il dosatore collegato.



- Ruotando la vite di regolazione in senso antiorario la quantità di detergente erogata diminuisce, mentre ruotandola in senso orario essa aumenta (da 1 ÷ 1,5 ml per risciacquo per tacca che corrispondono a circa 1,2 ÷ 1,8 gr di prodotto con densità pari a 1,2 kg/dm³). Controllare i dati tecnici della macchina per conoscere la quantità di acqua in vasca.
- Per avere un'indicazione sulla quantità di prodotto per la prima taratura, fare riferimento alle dosi indicate dal fornitore di prodotto prescelto.
- La regolazione va affinata valutando i risultati di lavaggio ottenuti dopo almeno tre cicli, per stabilizzare i risultati.

- **In vasca non deve essere presente schiuma alla fine di un ciclo.**
- Nel caso in cui ci fosse schiuma, per prima cosa controllare il tipo di detergente utilizzato, ed eventualmente sostituirlo con un detergente più adatto. Se la schiuma continua ad essere presente, controllare che la temperatura dell'acqua in vasca sia corretta ed eventualmente ridurre il dosaggio del detergente fino all'eliminazione completa della schiuma.
- Con i dosatori in dotazione è necessario utilizzare solo detersivi la cui dose consigliata dal produttore sia minore di 5gr/litro.

Cap 7 DISINSTALLAZIONE



La disinstallazione può essere eseguita solo da personale tecnico qualificato ed autorizzato.

- **Togliere l'alimentazione alla macchina tramite l'interruttore generale esterno.**
 - **Chiudere il rubinetto esterno di alimentazione acqua.**
 - **Scollegare completamente la macchina dalle reti di alimentazione elettrica ed idraulica.**
 - Svuotare, ripulire e preparare completamente tutti i circuiti idraulici interni, i dosatori, le pompe.
 - Svuotare completamente i dosatori di detergente e brillantante ed i tubi ad essi collegati, prestando attenzione a smaltire correttamente il detergente ed il brillantante (contattare il fornitore dei prodotti utilizzati).
-

Cap 8 SMALTIMENTO

Sulle nostre macchine non esistono materiali che richiedono particolari procedure di smaltimento.

8.1 Corretto smaltimento del prodotto

(Rifiuti elettrici ed elettronici)

(Applicabile nei paesi dell'Unione Europea e in quelli con sistema di raccolta differenziata)



Il marchio riportato sul prodotto o sulla sua documentazione indica che il prodotto non deve essere smaltito con altri rifiuti domestici al termine del ciclo di vita.

Per evitare eventuali danni all'ambiente o alla salute causati dall'inopportuno smaltimento dei rifiuti, si invita l'utente a separare questo prodotto da altri tipi di rifiuti e di riciclarlo in maniera responsabile per favorire il riutilizzo sostenibile delle risorse materiali.

Gli utenti domestici sono invitati a contattare il rivenditore presso il quale è stato acquistato il prodotto o l'ufficio locale preposto per tutte le informazioni relative alla raccolta differenziata e al riciclaggio per questo tipo di prodotto.

Gli utenti aziendali sono invitati a contattare il proprio fornitore e verificare i termini e le condizioni del contratto di acquisto. Questo prodotto non deve essere smaltito unitamente ad altri rifiuti commerciali.

INDICE

CAP 1	INTRODUCCION	2
CAP 2	INSTALACION.....	2
2.1	DESEMBALAJE	2
2.2	COLOCACIÓN	2
2.3	CONEXIÓN ELÉCTRICA.....	3
2.4	CONEXIÓN HIDRÁULICA.....	3
2.5	CONEXIÓN A LA LÍNEA DE DESAGÜE.....	4
CAP 3	RIESGOS Y ADVERTENCIAS IMPORTANTES.....	4
CAP 4	USO DE LA MÁQUINA.....	5
4.1	SENTIDO DE LA SIMBOLOGÍA UTILIZADA	5
4.2	ENCENDIDO	5
4.3	LLENADO Y CALENTAMIENTO.....	5
4.4	CICLO DE LAVADO	5
4.5	APAGADO DE LA MÁQUINA	6
4.6	VACIADO DE LA MÁQUINA.....	7
4.6.1	<i>Máquinas sin bomba de vaciado.....</i>	<i>7</i>
4.6.2	<i>Máquinas con bomba para el vaciado.....</i>	<i>7</i>
4.7	REGENERACIÓN DE LAS RESINAS	7
4.8	FIN DEL SERVICIO.....	8
CAP 5	MANUTENCIÓN	8
5.1	LIMPIEZA E HIGIENE	8
5.2	MANTENIMIENTO ORDINARIO (DIARIO)	8
5.3	MANUTENCIÓN SEMANAL	9
5.4	MANUTENCIÓN ANUAL	10
CAP 6	REGULACIÓN Y CONTROLES	10
6.1	DOSIFICADORES	10
6.1.1	<i>Dosificador abrillantador.....</i>	<i>10</i>
6.1.2	<i>Aparato sin dosificador de detergente.....</i>	<i>11</i>
6.1.3	<i>Aparato con dosificador de detergente (disponible sí pedido).....</i>	<i>11</i>
CAP 7	DESMONTAJE	12
CAP 8	ELIMINACIÓN.....	12
8.1	ELIMINACIÓN CORRECTA DE ESTE PRODUCTO	12

El fabricante se reserva dentro de los términos de la ley la propiedad de este documento, la prohibición de la reproducción y la difusión del mismo sin su previa autorización escrita.

El fabricante se reserva el derecho de aportar modificaciones sin previo aviso para realizar mejoras que retiene sean necesarias.

Cap 1 INTRODUCCION

El no cumplimiento de las indicaciones suministradas en la documentación adjunta puede crear riesgos para el aparato e invalidar inmediatamente la garantía.



Las advertencias contenidas en este manual suministran indicaciones inherentes a la seguridad en las distintas fases de la instalación, uso y mantenimiento.

Guardar toda la documentación cerca del aparato; entregarlo a los técnicos y a los operadores encargados para el uso. **El operador tiene la obligación de leer, entender y aprender este manual antes de iniciar cualquier operación en la máquina.** El aparato es para el lavado profesional de las vajillas para la colectividad, por lo tanto la instalación, el uso y la mantenimiento, están de todas maneras dirigidos a personas preparadas que respeten las instrucciones del constructor. No dejar al alcance de los niños. La elección de los materiales, la construcción según directivas de seguridad CE y un ensayo completo garantizan la calidad de esta máquina. Además a este manual, en la máquina se encuentran:

- esquema eléctrico
- tabla topográfica

El constructor no se hace responsable por daños a cosa o personas debido al no-cumplimiento con las instrucciones suministradas o por uso no correcto de la máquina.

Cap 2 INSTALACION

Una instalación correcta es fundamental para el buen funcionamiento de la máquina. Algunos de los datos necesarios para la instalación de la máquina se encuentran en la placa con las características colocada en el lado derecho de la misma máquina y en copia en la tapa de este manual.



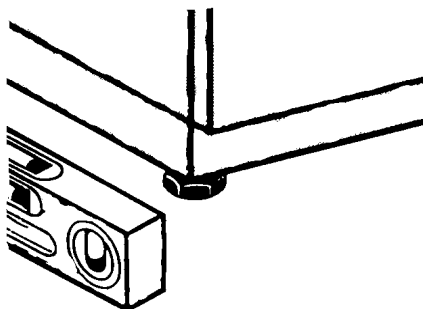
La instalación debe ser realizada exclusivamente por técnicos calificados y autorizados

2.1 Desembalaje

Comprobar la integridad del embalaje, escribiendo en el documento de entrega eventuales daños encontrados. Después de haber eliminado el embalaje **cerciorarse que el aparato esté íntegro**; si la máquina se encuentra dañada, advertir inmediatamente al revendedor con un fax o con una carta certificada con acuse de recibo y la empresa de transporte que lo ha realizado. Si los daños son tales que pueden perjudicar la seguridad de la misma máquina, no instalar y/o utilizar hasta que haya intervenido un técnico calificado.



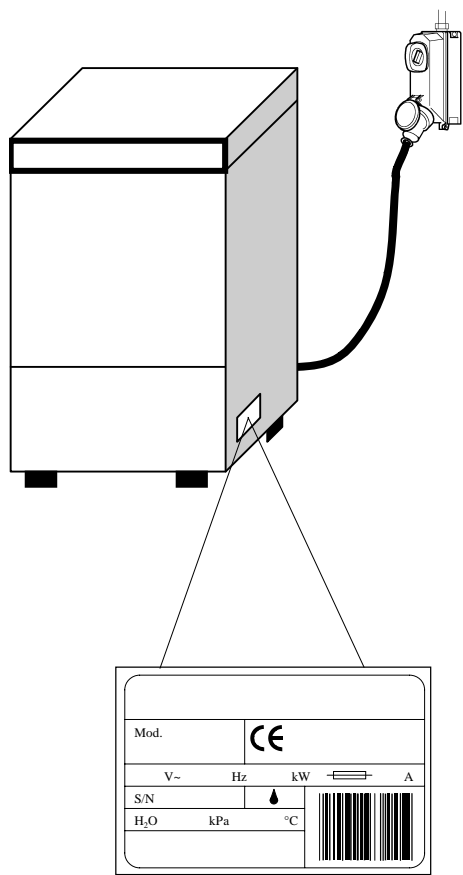
Los elementos del embalaje (bolsas de plástico, espuma de poliestireno, clavos, etc. ...) no deben dejarse al alcance de los niños y animales domésticos puesto que son probables fuentes de peligro.



2.2 Colocación

- Comprobar que en la zona de instalación no haya, o estén protegidos correctamente, objetos y materiales que puedan dañarse con el vapor del agua que eventualmente pueda salir de la máquina durante el funcionamiento.
- Para garantizar la estabilidad, instalar y nivelar la máquina en las cuatro patas.
- Otras soluciones para la instalación deben ser concordadas y aprobado por el fabricante.

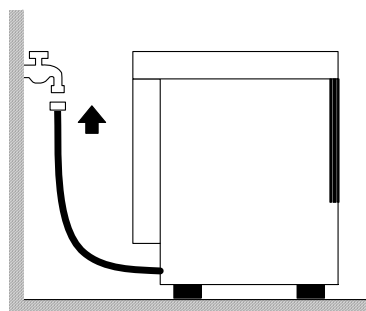
2.3 Conexión eléctrica



- **Debe haber un interruptor general tipo omnipolar, el cual corta todos los contactos inclusive el neutro, con una distancia entre contactos abiertos de por lo menos 3 mm con impulso magnetométrico de seguridad o acoplado con dos fusibles**, con dimensiones o calibrados de acuerdo a la potencia indicada en la placa con las características de la máquina.
- El interruptor general debe estar colocado en la línea eléctrica cerca de la instalación y debe servir exclusivamente un aparato por vez.
- Tensión y frecuencia de la red eléctrica deben coincidir con las descritas en la placa con las características.
- Debe tener una instalación de tierra eficiente, de acuerdo a las normas vigentes sobre la prevención, para la seguridad del operador y del aparato.
- El cable para la alimentación, exclusivamente tipo H07RN-F, no debe estar en tracción o aplastado durante el normal funcionamiento o la normal manutención.
- El terminal de equipotencialidad fijado al cuerpo debe estar conectado a un cable de equipotencialidad de sección adecuada a la aplicación.
- **Respetar las polaridades indicadas en el esquema eléctrico.**
- Para ulteriores informaciones consultar el esquema eléctrico adjunto.



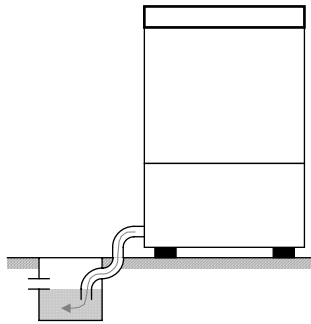
No utilizar, tomas múltiples, cables del tipo y con sección no adecuada o con acoples de prolongación no conformes a las normas vigentes en materia de instalaciones.



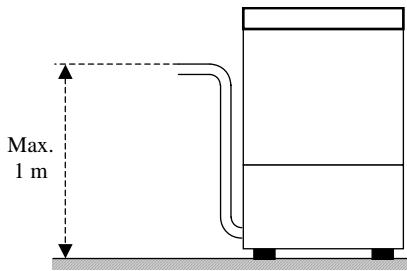
2.4 Conexión hidráulica

El aparato se debe conectar a la red hídrica por medio de un tubo flexible. Entre la red hídrica y la electroválvula del aparato debe haber una válvula de cierre tipo corrediza, de bolas o de compuerta, **capaz de cerrar de forma muy rápida y totalmente el agua si fuese necesario**. La válvula de cierre debe estar ubicada sobre la línea cerca y apenas antes del aparato.

- Si la instalación es nueva o usada poco, dejar salir bastante agua antes de conectarse.
- La alimentación de agua, temperatura y presión, **deben ser compatibles** con lo indicado en la placa con las características de la máquina.
- Si la dureza del agua es superior a 14 F (8 dH) recomendamos utilizar la máquina con endulzador interno (disponible sí pedido). Si la dureza del agua es superior a 35 F (19,5 dH) recomendamos instalar un endulzador externo antes de la electroválvula.



Desagüe libre

Con bomba de vaciado (disponible sí pedido)

2.5 Conexión a la línea de desagüe

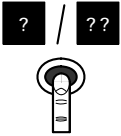
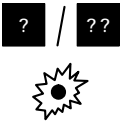
- **La línea de desagüe debe estar realizada con un sumidero con sifón libre** de dimensiones adaptadas al caudal del tubo de desagüe suministrado con la máquina. El tubo tiene que poder alcanzar el sumidero, **sin ser tirado, forzado, doblado, aplastado o apretado.**
- El vaciado de la cuba de la máquina se produce por gravedad, por lo tanto el desagüe tiene que quedar a un **nivel inferior de la máquina**
- En el caso que el desagüe no se encuentre a un nivel inferior respecto a la base de la máquina, es posible usar una versión equipada con bomba para el vaciado (disponible si pedido).
- En este caso la altura máxima del desagüe es de 1 metro.
- Comprobar siempre que el desagüe funcione perfectamente y que no este atascado.
- Cualquier otro tipo de solución debe ser concordada y aprobada antes por el constructor.

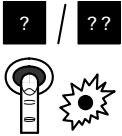
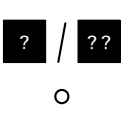
Cap 3 RIESGOS Y ADVERTENCIAS IMPORTANTES

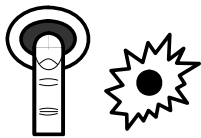
- Este aparato debe ser utilizado únicamente para lo cual ha sido proyectado. Cualquier otro tipo de uso se debe considerar no correcto y por lo tanto peligroso.
- **Las personas especializadas que realizarán la instalación debe instruir correctamente el usuario sobre el funcionamiento del aparato y las eventuales medidas de seguridad que se deben respetar, inclusive realizando demostraciones prácticas.**
- Cualquier tipo de intervención en la máquina, también en caso de anomalía, deberá ser realizado únicamente por el fabricante o por un centro de asistencia autorizado y por personal calificado, **utilizando exclusivamente recambios originales.**
- Desconectar o aislar siempre la máquina de la red eléctrica e hídrica antes de efectuar la manutención, reparaciones y limpieza.
- La máquina **NO** debe ser utilizada por personas no instruidas.
- La máquina **NO** debe quedar bajo tensión cuando no es utilizada.
- No abrir **NUNCA** demasiado rápido la puerta de la máquina si no ha acabado el ciclo.
- No utilizar **NUNCA** la máquina sin las protecciones predispuestas por el fabricante.
- No utilizar **NUNCA** la máquina para lavar objetos del tipo, forma, medidas o material no garantizados para el lavado en la máquina o no perfectamente íntegros.
- No utilizar **NUNCA** el aparato o sus partes como si fuese una escalera o un sostén para personas, cosas o animales.
- No sobrecargar **NUNCA** la puerta abierta de las máquinas con carga frontal, el cual ha sido diseñado con características para sostener únicamente la cesta llena de vajillas.
- No sumergir **NUNCA** las manos sin ser protegidas en la solución para el lavado.
- No volcar **NUNCA** la máquina después de la instalación.

Cap 4 USO DE LA MÁQUINA

4.1 Sentido de la simbología utilizada

	Apretar el botón que corresponde a uno de los símbolos indicados.
	La luz testigo que corresponde a uno de los símbolos indicados se enciende.

	Apretar el botón que corresponde a uno de los símbolos indicados. La luz testigo análoga se enciende.
	La luz testigo que corresponde a uno de los símbolos indicados se apaga.



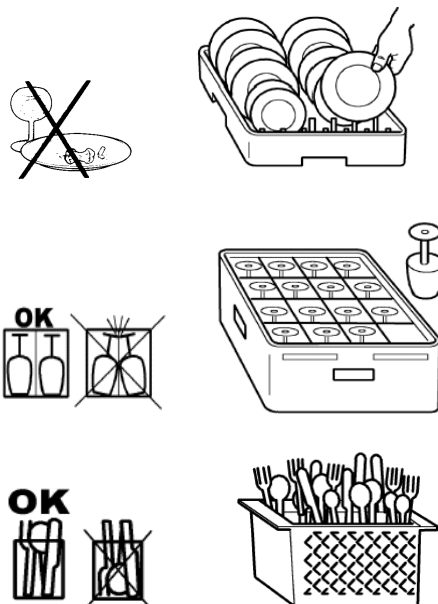
4.2 Encendido

1. Abrir el grifo de red del agua y conectar el interruptor general de la corriente eléctrica.
2. Comprobar que se encuentra presente el tubo de derrame.
3. Apretar el botón de “encendido / apagado” como indicado al lado. Si está presente, la luz testigo correspondiente se enciende.

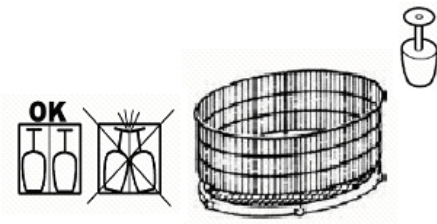
4.3 Llenado y calentamiento

- Si el tanque está vacío, la máquina empezará a llenarse automáticamente en cuanto la enciendas.
- Cuando el tanque está lleno empieza el calentamiento. En las máquinas en que está presente, la luz testigo correspondiente se enciende.
- Cuando el tanque y el boiler alcanzan las temperaturas planteadas, la luz testigo se apaga.
- Para reducir el tiempo de espera, es posible hacer un ciclo en vacío 5 – 10 minutos después del encendido.

4.4 Ciclo de lavado



- Controlar que haya detergente y abrillantador. Las informaciones sobre el tipo de productos que se deben utilizar y sobre la dosis (automático o manual) se encuentran en el capítulo “Regulaciones y controles”.
- Usar una cesta adecuada, sin sobrecargarla y sin sobreponer las vajillas. **Eliminar siempre las partes mas gruesas sobre las vajillas**; no colocar vajillas con restos secos o sólidos.
- Colocar los recipientes vacíos volcados en la cesta. Colocar los platos y similares en el correspondiente contenedor inclinado, con la superficie interna hacia arriba. En la cesta correspondiente colocar los cubiertos mixtos, con el mango hacia abajo.
- **Limpiar sólo las vajillas adecuadas al tipo de máquina.**
- Se aconseja lavar la vajilla inmediatamente después de usarla para evitar que la suciedad se endurezca y se agarre.

**En las versiones con cesto giratorio:**

- Distribuir la vajilla uniformemente y, si es posible, lavar siempre con el cesto lleno.
- Colocar las piezas más ligeras en el centro del cesto y las más pesadas en el borde.
- Colocar las piezas más estrechas en el centro del cesto y las más anchas en el borde.

- Colocar la cesta en la máquina y cerrar la puerta.
- **En las versiones con cesto giratorio, controlar que el cesto gire libremente, dándole un ligero empujón en el sentido de las agujas del reloj. Luego, cerrar la puerta e iniciar el ciclo.**
- Para evitar roturas, usar solo vajillas íntegras y garantizadas para el lavado en la máquina.
- No colocar cubiertos de plata y de acero inoxidable en la misma cesta portacubiertos. Provocarían el bruñido de la plata y la probable corrosión del acero.



En las máquinas en que están presentes varios tiempos de lavado, seleccionar el tiempo de lavado adecuado a las vajillas por medio del interruptor "Selección tiempos" indicado a lado.



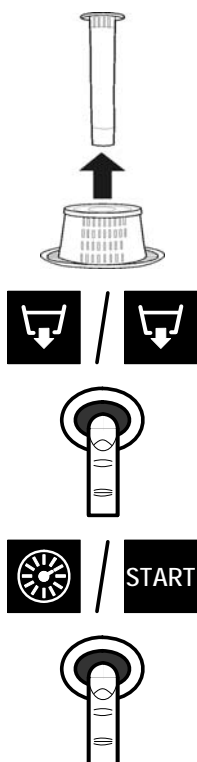
- Para iniciar el ciclo apretar el botón de "start / inicio ciclo" indicado al lado.
- En las máquinas en que está presente, la "luz testigo de ciclo" correspondiente se enciende para señalar que el ciclo de lavado está activo.
- Después de la fase de lavado inician automáticamente las fases de enjuague y vaciado y el ciclo acaba. Al final del ciclo, la luz testigo se apaga.

- Si durante el ciclo se abre la puerta en forma accidental, la máquina se para automáticamente. Para partir nuevamente desde donde se ha interrumpido es suficiente cerrar la puerta.
- Para obtener un secado rápido, al final del ciclo extraer inmediatamente la cesta de la máquina.
- **Si la selección de lavado resultara demasiado sucia o cuando se notan restos de suciedad en el filtro del tanque, realizar la manutención normal como indicado en el capítulo "Manutención".**
- **Para realizar sucesivos ciclos, efectuar nuevamente las acciones descritas en el párrafo "Ciclo de lavado".**



4.5 Apagado de la máquina

Apretar el botón de "encendido / apagado" como indicado al lado. En las máquinas en que está presente, la luz testigo correspondiente se apaga.



4.6 Vaciado de la máquina

4.6.1 Máquinas sin bomba de vaciado

1. Apagar la máquina tal como indicado en el párrafo anterior "Apagado de la máquina".
2. Extraer el rebosadero: esperar que la cuba esté totalmente vacía.

4.6.2 Máquinas con bomba para el vaciado

1. Apagar la máquina tal como indicado en el párrafo anterior "Apagado de la máquina".
2. Extraer el rebosadero y cerrar la puerta.
3. Apretar el botón "bomba de vaciado" indicado a lado para vaciar.
4. En las máquinas sin el botón "bomba vaciado", apagar la máquina tal como indicado en el párrafo "Apagado de la máquina".
5. Extraer el rebosadero y cerrar la puerta. Apretar el botón "start / inicio ciclo" indicado a lado para vaciar.

- Cuando la cuba está completamente vacía, limpiar la máquina tal como descrito en el capítulo "Manutención".
- Apagar la máquina cada vez que se extrae el rebosadero.

4.7 Regeneración de las resinas

Si la máquina está dotada del suavizador de agua interior (disponible sólo si pedido), para restablecer el correcto funcionamiento del suavizador de agua hay que hacer periódicamente la regeneración de las resinas intercambiadoras. El número de ciclos entre una regeneración y otra se determina en base a la dureza del agua, según la tabla siguiente.

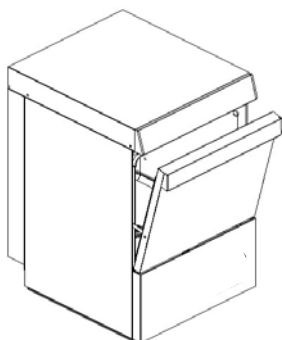
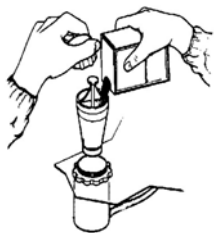
dH	F	Nº Ciclos
6,0	10	153
6,5	11	147
7,0	12	140
7,5	13	133
8,0	14	127
8,5	15	120
9,0	16	113

dH	F	Nº Ciclos
9,5	17	107
10,0	18	100
10,5	19	93
11,0	20	87
12,0	21	83
12,5	22	80
13,0	23	77

dH	F	Nº Ciclos
13,5	24	73
14,0	25	70
14,5	26	67
15,0	27	63
15,5	28	60
16,0	29	57
17,0	30	53

dH	F	Nº Ciclos
17,5	31	52
18,0	32	50
18,5	33	48
19,0	34	47
19,5	35	43

- Se recomienda hacer la regeneración durante las pausas de trabajo.
- Apagar la máquina tal como indicado en el párrafo "Apagado de la máquina".
- Vaciar la máquina tal como indicado en el párrafo "Apagado de la máquina".
- Limpiar la máquina tal como indicado en el capítulo "Manutención". Al final de la limpieza abrir otra vez el grifo de red del agua y conectar el interruptor general de electricidad.



- Cerciorarse que el rebosadero haya sido quitado.
- Abrir el contenedor de la sal en el interior de la cuba.
- Verter en el contenedor unos 250 gramos de sal para regeneración (sal de cocina sin aditivos en granos de 1 a 2 mm de diámetro).
- Cerrar con fuerza el contenedor.
- Cerrar la puerta.

- **Sin encender la máquina**, apretar el botón de “start / inicio ciclo” hasta que la “luz testigo de ciclo” correspondiente se encienda.
- El ciclo de regeneración empieza y sigue por aproximadamente 20 minutos.

- Cuando la luz testigo de ciclo se apaga la regeneración ha terminado.

Al final del ciclo de regeneración, con la cuba vacía y sin rebosadero, se recomienda:

- encender la máquina apretando el botón de “encendido / apagado” indicado a lado
- dejar fluir el agua durante 1 minuto, de manera que se eliminan los restos de sal de la cuba.
- Apagar la máquina con el botón de encendido / apagado y volver a introducir el rebosadero.

La máquina está lista para ser cargada de nuevo.

4.8 Fin del servicio

- Al final del día, vaciar siempre la máquina como se indica en el apartado Vaciado de la máquina.
- **Desconectar la alimentación eléctrica con el interruptor general y cerrar el grifo exterior del agua.**
- Realizar el mantenimiento ordinario y limpiar la máquina como se indica en el apartado Mantenimiento.
- Si es posible, dejar la puerta entreabierta para evitar que se formen olores desagradables en el interior.

Cap 5 MANUTENCIÓN



Antes de realizar cualquier tipo de mantenimiento, descargar totalmente el agua, como descrito en el párrafo “Vaciado de la máquina”, cortar la corriente eléctrica por medio del interruptor general externo y cerrar la válvula externa del agua.

5.1 Limpieza e higiene

Para garantizar la higiene de la máquina, es necesario efectuar **regularmente las operaciones de mantenimiento diario, semanal y anual** que se describen a continuación. Realizar también un tratamiento periódico de desinfección con un producto comercial que no sea corrosivo.

5.2 Mantenimiento ordinario (diario)

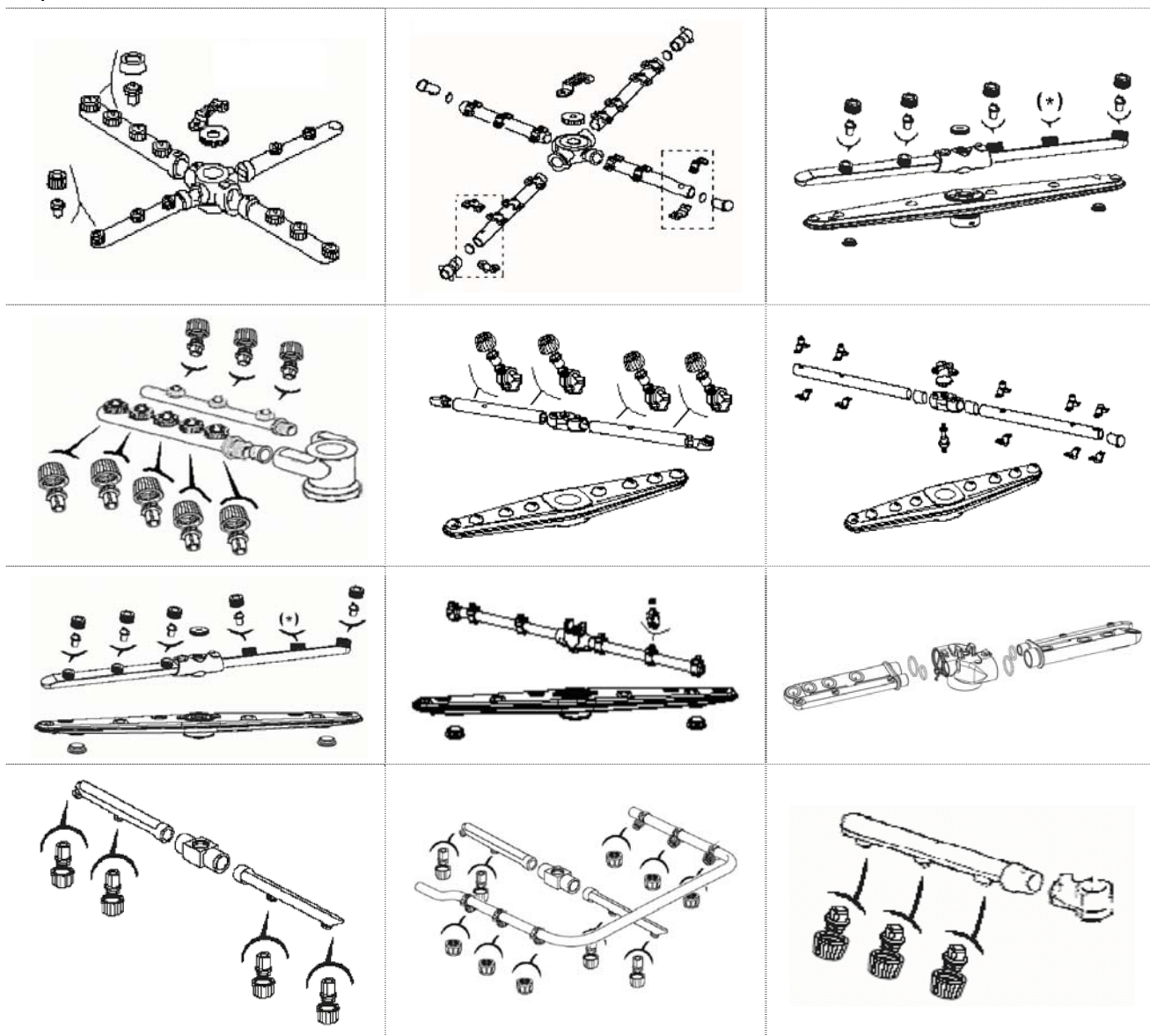
Cuando se notan restos de suciedad en el filtro del tanque:

- Quitar y limpiar las cestas, el rebosadero y el filtro.
- Para limpiar el tanque de acero no usar productos u objetos abrasivos; utilizar en cambio un paño húmedo y apenas enjabonado.
- No usar chorros de agua con presión puesto que podrían dañar la instalación eléctrica.

5.3 Mantenimiento semanal

- Realizar el mantenimiento diario.
- Quitar y lavar los brazos y las boquillas de lavado y aclarado.

A continuación se ilustran las diversas combinaciones posibles de brazos de lavado y aclarado superiores e inferiores.



(*) Orificio cerrado. Sin boquilla.

- Limpiar los pernos de rotación de los brazos y la zona de salida del agua de lavado y aclarado.
- Limpiar esmeradamente la cuba y la máquina con un producto desinfectante que no sea abrasivo.
- Montar correctamente las boquillas, los brazos y los filtros, con la inclinación correcta e insertando bien los brazos en sus alojamientos.

5.4 Mantenimiento anual

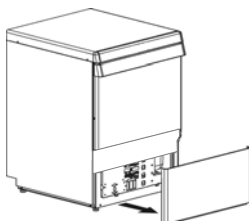
Hacer controlar minuciosamente la máquina a un técnico especializado. Especialmente:

- Eliminación de depósitos en la cuba.
- Desmontar y limpiar completamente brazos y boquillas de lavado y enjuague.
- **Limpiar minuciosamente la persiana de cierre introducida en el plantón del brazo del lavado inferior y la zona de salida del agua.**
- Montar nuevamente y correctamente la persiana de cierre, el perno y los brazos de lavado y de enjuague.
- Comprobación de las buenas condiciones de las juntas de estanqueidad y del desgaste de los demás componentes tal como bombas, dosificadores, etc.
- Comprobación de los dosificadores de abrillantante y de detergente.
- Comprobar y eventualmente limpiar las resistencias.

Si la máquina no será utilizada por un largo tiempo es necesario darle una preparación adecuada. Si en el momento de prenderla nuevamente se sospecha la probable formación de hielo, no utilizar el aparato hasta que un técnico cualificado no haya inspeccionado el boiler y los tubos.

Cap 6 REGULACIÓN Y CONTROLES

Las siguientes operaciones de regulación y de control deben ser realizadas exclusivamente por personal cualificado y autorizado, prestando mucha atención, tomando las precauciones necesarias si se deben excluir las seguridades de la máquina.



6.1 Dosificadores

Antes de proceder con la **regulación**, el dosificador o los dosificadores y el tubo de alimentación deben estar llenos. La calibración se realiza a través de los tornillos de ajuste correspondientes accesibles desmontando el panel frontal debajo de la puerta del tanque.




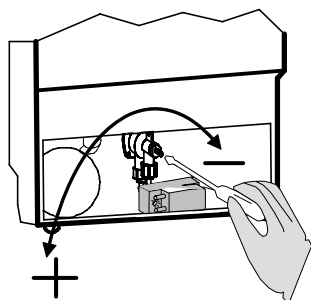
- **La garantía no cubre daños originados por un errado uso del o de los dosificadores o en el caso de errada dosificación manual.**
- **La selección y la dosificación del detergente son determinantes para el buen resultado del lavado y para la vida del aparato. Usar únicamente productos líquidos para lavado industrial de espuma frenada.**
- **Las regulaciones se deben realizar con la máquina caliente y con producto bien dosificado.**



6.1.1 Dosificador abrillantador

El nivel del abrillantador en el contenedor debe ser suficiente; no debe quedar nunca por debajo del desagüe y tampoco se deben añadir productos corrosivos e impuros. Para llenar el tubo de alimentación y el dosificador, prender la máquina e iniciar el ciclo de lavado, esperar

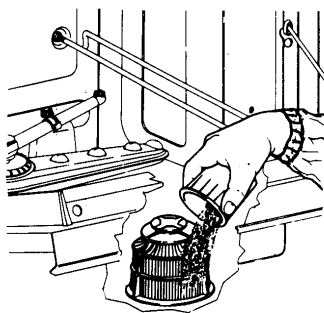
unos 20 segundos y apretar el botón de "encendido / apagado"  8-10 veces a intervalos de unos 10 segundos. Seguir apretando para que el ciclo de lavado termine.



- Girando el tornillo de regulación en el sentido de las agujas del reloj la cantidad de abrillantador suministrada disminuye, mientras girándola en el sentido contrario a las agujas del reloj la misma disminuye.
- Para tener una indicación sobre la cantidad de producto para la primera regulación, referirse a las dosis indicadas por el proveedor del producto elegido.
- La regulación se debe ajustar evaluando los resultados del enjuague obtenidos después de por lo menos tres ciclos, para estabilizar los resultados.

- Rayaduras en las vajillas y formación de espuma en la solución para el lavado indican demasiado abrillantador. Vajillas cubiertas de gotas y secado demasiado lento indican poco abrillantador.
- Para obtener óptimos resultados utilizar solo abrillantadores que el fabricante recomienda dosis inferior a 1.5 gr/litro.
- 7,9 cm di tubo = 1 ml. di producto (= 1 gr di producto con densidad de 1 kg/dm³). El agua utilizada para el enjuague es de alrededor de 3 litros/ciclo.
- No modificar la diferencia de altura entre el tanque y la base de la máquina después de haber ajustado la dosis.
- Si la diferencia de altura entre el recipiente y la base de la máquina es superior a los 80 cm, el dosificador podrá tener problemas de funcionamiento.
- Si no se utiliza abrillantador, cerrar completamente el tornillo de regulación del dosificador.

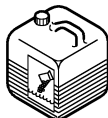
6.1.2 Aparato sin dosificador de detergente



No es recomendado el dosificador manual puesto que no garantiza los óptimos resultados de un dosificador automático. Sin embargo, si no se utiliza un dosificador automático, colocar el detergente en la zona del filtro de aspiración de la bomba cada 5 ciclos, según la dosis recomendada por el fabricante. Referirse a los datos técnicos para conocer la cantidad de agua en la cuba, en cambio el agua que se utiliza para el enjuague es de aproximadamente 3 litros. Por cada llenado añadir la dosis para el agua contenida en la cuba y para los 5 enjuagues sucesivos. Para las dosis siguientes se añadirá sólo el detergente necesario para los enjuagues.

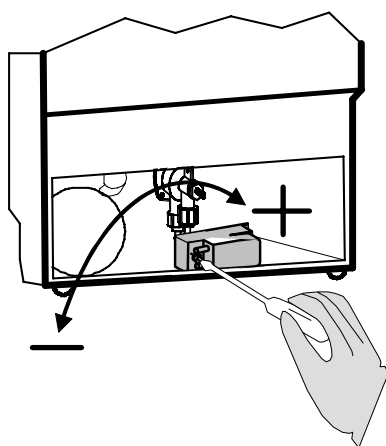


Es siempre recomendada la instalación de un dosificador de detergente automático.



6.1.3 Aparato con dosificador de detergente (disponible sí pedido)

El nivel del detergente en el contenedor debe ser suficiente; no debe llegar nunca hasta el nivel del vaciado y tampoco llenado con productos corrosivos o impuros. Para cargar el tubo de alimentación es suficiente encender la máquina y efectuar la primer carga con dosificador conectado.



- Girando el tornillo de regulación en el sentido contrario a las agujas del reloj la cantidad de detergente suministrada disminuye, mientras girándola en el sentido de las agujas del reloj la misma aumenta (de 1 ÷ 1,5 ml por enjuague por marca el cual corresponde a aproximadamente 1,2 ÷ 1,8 gr de producto con densidad igual a 1,2 kg/dm³). Controlar los datos técnicos de la máquina para conocer la cantidad de agua en la cuba.
- Para tener una indicación sobre la cantidad de producto para la primera regulación, referirse a la dosis indicada por el proveedor del producto elegido.
- La regulación se debe ajustar evaluando los resultados del lavado obtenido después de por lo menos tres ciclos, para estabilizar los resultados.

- **En la cuba no debe haber espuma al final del ciclo.**
- En el caso que haya espuma, lo primero que se debe hacer es controlar el tipo de detergente utilizado, y eventualmente sustituirlo con un detergente mas adecuado. Si aún hay espuma, verificar que la temperatura del agua en la cuba sea correcta y eventualmente reducir la dosis del detergente hasta la total eliminación de la espuma.
- Con los dosificadores del equipamiento es necesario utilizar solo detergentes en los cuales la dosis recomendada por el productor sea inferior a 5gr/litro.

Cap 7 DESMONTAJE



El desmontaje puede ser realizado únicamente por personal técnico cualificado y autorizado.

- Quitar la alimentación de la máquina a través del interruptor general externo.
- Cerrar el grifo externo para la alimentación de agua.
- Desconectar totalmente la máquina de la red de alimentación eléctrica e hidráulica.
- Vaciar, limpiar y preparar totalmente todos los circuitos hidráulicos internos, los dosificadores, las bombas y el calentador.
- Vaciar completamente los dosificadores de detergente y abrillantador y los tubos conectados a ellos. Desechar el detergente y el abrillantador según las indicaciones del fabricante.

Cap 8 ELIMINACIÓN

Nuestras máquinas no contienen materiales que requieran procedimientos de eliminación especiales.

8.1 Eliminación correcta de este producto

(material eléctrico y electrónico de descarte)

(Aplicable en la Unión Europea y en países con sistemas de recogida selectiva de residuos)

La presencia de esta marca en el producto o en el material informativo que lo acompaña, indica que al finalizar su vida útil no deberá eliminarse junto con otros residuos domésticos. Para evitar los posibles daños al medio ambiente o a la salud humana que representa la eliminación incontrolada de residuos, separe este producto de otros tipos de residuos y reciclelo correctamente para promover la reutilización sostenible de recursos materiales.

Los usuarios particulares pueden contactar con el establecimiento donde adquirieron el producto, o con las autoridades locales pertinentes, para informarse sobre cómo y dónde pueden llevarlo para que sea sometido a un reciclaje ecológico y seguro.

Los usuarios comerciales pueden contactar con su proveedor y consultar las condiciones del contrato de compra. Este producto no debe eliminarse mezclado con otros residuos comerciales.



ÍNDICE

CAP 1	PREFÁCIO	2
CAP 2	INSTALAÇÃO	2
2.1	DESEMBALAGEM	2
2.2	POSICIONAMENTO	2
2.3	LIGAÇÃO ELÉCTRICA.....	3
2.4	LIGAÇÃO HIDRÁULICA	3
2.5	LIGAÇÃO À LINHA DE ESCOAMENTO	4
CAP 3	RISCOS E ADVERTÊNCIAS IMPORTANTES.....	4
CAP 4	USO DA MÁQUINA.....	5
4.1	SIGNIFICADO DOS SÍMBOLOS UTILIZADOS	5
4.2	ACCIONAMENTO	5
4.3	ENCHIMENTO E AQUECIMENTO.....	5
4.4	CICLO DE LAVAGEM	5
4.5	DESLIGAMENTO DA MÁQUINA	6
4.6	ESVAZIAMENTO DA MÁQUINA	7
4.6.1	<i>Máquinas sem bomba de escoamento.....</i>	<i>7</i>
4.6.2	<i>Máquinas com bomba de escoamento</i>	<i>7</i>
4.7	REGENERAÇÃO DAS RESINAS	7
4.8	FIM DE SERVIÇO	8
CAP 5	MANUTENÇÃO	8
5.1	LIMPEZA E HIGIENE.....	8
5.2	MANUTENÇÃO ORDINÁRIA (DIÁRIA).....	9
5.3	MANUTENÇÃO SEMANAL	9
5.4	MANUTENÇÃO ANUAL	10
CAP 6	REGULAÇÃO E VERIFICAÇÕES.....	10
6.1	DOSEADORES	10
6.1.1	<i>Doseador da solução para brilho</i>	<i>10</i>
6.1.2	<i>Aparelho sem doseador de detergente</i>	<i>11</i>
6.1.3	<i>Aparelho com doseador de detergente (disponível a pedido).....</i>	<i>11</i>
CAP 7	DESINSTALAÇÃO	12
CAP 8	ELIMINAÇÃO	12
8.1	ELIMINAÇÃO CORRECTA DESTE PRODUCO.....	12

O fabricante reserva-se, nos termos da lei, a propriedade do presente documento sendo vedado reproduzi-lo e divulgá-lo com qualquer meio sem a prévia autorização escrita do mesmo.

O fabricante reserva-se o direito de efectuar modificações sem aviso prévio para realizar os melhoramentos que julgar necessários.

O desrespeito das indicações fornecidas na documentação em anexo pode comprometer a segurança do aparelho e anular imediatamente a garantia.



As advertências contidas no presente manual fornecem indicações importantes relativas à segurança nas várias fases de instalação, uso e manutenção.

Deve-se conservar toda a documentação com cuidado e nas proximidades do aparelho; entregá-la aos técnicos e aos operadores que a utilizam. **O operador é obrigado a ler, entender e aprender o conteúdo do presente manual antes de iniciar qualquer operação na máquina.** O aparelho é destinado à lavagem profissional de louças para colectividade e, portanto, a instalação, o uso e a manutenção são destinados a pessoal treinado que respeite as instruções do fabricante. Não deixar ao alcance de crianças. A escolha dos materiais, o fabrico conforme as directivas de segurança CE e os testes de aprovação completos garantem a qualidade desta máquina. Além do presente manual, são entregues com a máquina:

- esquema eléctrico
- tabela topográfica

O fabricante declina qualquer responsabilidade por danos a coisas ou pessoas que derivem do desrespeito das instruções fornecidas ou de um uso impróprio da máquina.

Uma instalação correcta é fundamental para o bom funcionamento da máquina. Alguns dos dados necessários para a instalação da máquina estão indicados na placa de características colocada do lado direito da máquina e uma cópia encontra-se na capa deste manual.



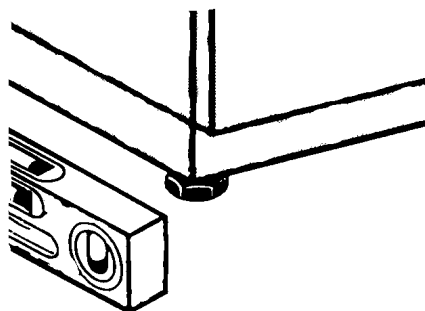
A instalação deve ser efectuada exclusivamente por técnicos qualificados e autorizados.

2.1 Desembalagem

Certificar-se que o estado da embalagem seja perfeito, escrevendo na nota de entrega os possíveis danos encontrados. Após ter eliminado a embalagem, **certificar-se que o aparelho esteja em perfeitas condições e completo**; se a máquina estiver danificada, avisar imediatamente o revendedor via fax ou carta registrada com aviso de recepção e a transportadora que efectuou o transporte. Se os danos prejudicarem a segurança da máquina, esta não deve ser instalada ou utilizada até a resolução do problema por um técnico qualificado.



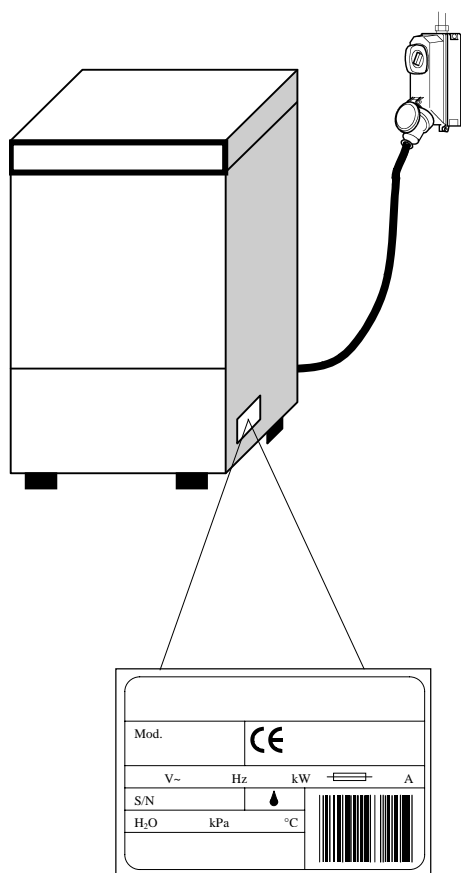
Os elementos da embalagem (sacos de plástico, polistireno expandido, pregos, etc. ...) não devem ser deixados ao alcance de crianças e animais domésticos por serem possível fonte de perigo.



2.2 Posicionamento

- Certificar-se que na área de instalação não existam, ou estejam bem protegidos, objectos e materiais que podem ser danificados pelo vapor de água que pode sair da máquina durante o funcionamento.
- Para garantir estabilidade, instalar e nivelar a máquina em seus quatro pezinhos.
- Soluções diferentes de instalação devem ser concordadas e aprovadas pelo fabricante.

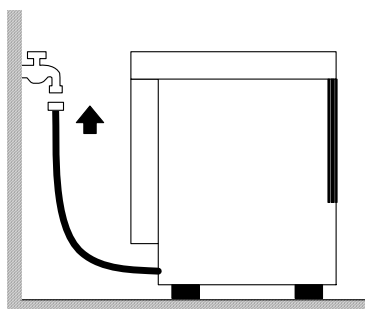
2.3 Ligação eléctrica



- Deve existir um interruptor geral de tipo omnipolar, capaz de interromper todos os contactos incluindo o neutro, com distância entre os contactos abertos de pelo menos 3 mm e com salto magneto-térmico de segurança ou combinado a fusíveis, a dimensionar ou ajustar em conformidade com a potência indicada na placa de características da máquina.
- O interruptor geral deve encontrar-se na linha eléctrica perto da instalação e deve servir exclusivamente um aparelho por vez.
- A tensão e a frequência da rede eléctrica devem coincidir com aquelas da placa de características.
- Deve existir uma instalação de ligação à terra eficaz, em conformidade com as normas vigentes de prevenção, para a segurança do operador e do aparelho.
- O cabo de alimentação, exclusivamente de tipo H07RN-F, não deve ser esticado ou esmagado durante o funcionamento normal ou a manutenção ordinária.
- O grampo de equipotencialidade, fixado ao corpo, deve ser ligado a um cabo de equipotencialidade com secção própria para a aplicação.
- **Respeite as polaridades indicadas no esquema eléctrico.**
- Para mais informações consultar o esquema eléctrico anexo.



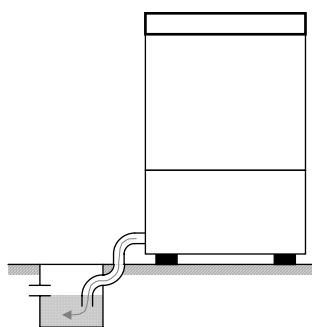
Não usar adaptadores, fichas múltiplas, cabos de tipo e secção não adequados ou com junções de extensão que não estejam em conformidade com as normas vigentes para este tipo de instalação.



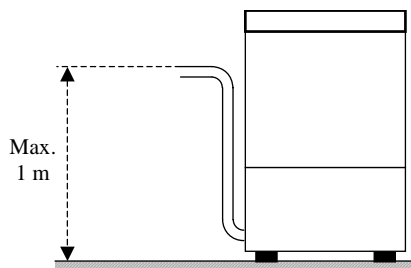
2.4 Ligação hidráulica

O aparelho deve ser ligado à rede hídrica através de um tubo flexível. Entre a rede hídrica e a válvula solenóide do aparelho deve existir um válvula de interceptação de gaveta, ou de esfera **capaz de fechar rapidamente e totalmente a água quando necessário**. A válvula de interceptação deve encontrar-se na linha perto e pouco antes do aparelho.

- Se a instalação for nova ou pouco usada, fazer com que a água escorra por algum tempo antes da ligação.
- A alimentação de água, temperatura e pressão **devem ser compatíveis** com os valores indicados na placa de características técnicas da máquina.
- Se a dureza da água for superior a 14 F (8 dH) aconselhamos utilizar a máquina com depurador interno (disponível a pedido). Se a dureza da água for superior a 35 F (19,5 dH) aconselhamos a instalação de um equipamento externo de depuração antes da válvula solenóide.



Escoamento livre

Com bomba de escoamento (disponível a pedido)

2.5 Ligação à linha de escoamento

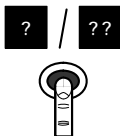
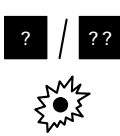
- **A linha de escoamento deve ser formada por um poço sifonado livre** com dimensões adequadas para a capacidade do tubo de escoamento fornecido com a máquina. O tubo deve chegar até o poço **sem ser esticado, comprimido, dobrado, esmagado ou forçado**.
- O esvaziamento do tanque ocorre por gravidade, portanto, o escoamento deve estar a um **nível inferior à base da máquina**.
- Sempre que o escoamento não estiver a um nível inferior à base da máquina, pode-se usar a versão dotada de bomba de escoamento (disponível a pedido).
- Neste caso, a altura máxima do escoamento é equivalente a 1 m.
- Certificar-se sempre que o escoamento esteja a funcionar correctamente e que não esteja entupido.
- Qualquer outra solução deve ser previamente concordada e aprovada pelo fabricante.


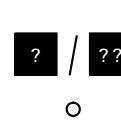
Cap 3 RISCOS E ADVERTÊNCIAS IMPORTANTES

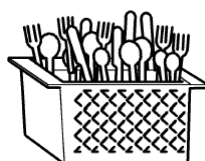
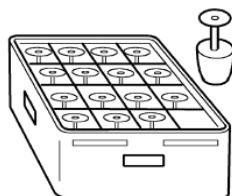
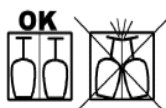
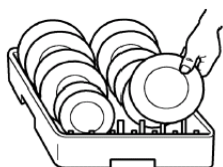
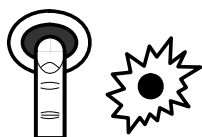
- Este aparelho é destinado somente ao uso para o qual foi expressamente projectado. Qualquer outro uso será considerado impróprio e, portanto, perigoso.
- **O pessoal especializado que efectuar a instalação deve instruir adequadamente o utilizador em relação ao funcionamento do aparelho e às possíveis medidas de segurança a respeitar, fornecendo também demonstrações práticas.**
- Qualquer tipo de operação na máquina, mesmo em caso de problema, deverá ser efectuada somente pelo fabricante ou por um centro de assistência autorizado e por pessoal qualificado, **utilizando exclusivamente peças originais**.
- Desligar ou isolar sempre a máquina da rede eléctrica e hídrica antes de efectuar manutenções, reparações e limpeza.
- A máquina **NÃO** deve ser utilizada por pessoal não treinado.
- A máquina **NÃO** deve permanecer sob tensão quando não for utilizada.
- **NUNCA** abrir a porta da máquina rapidamente se não tiver terminado o ciclo.
- **NUNCA** utilizar a máquina sem as protecções instaladas pelo fabricante.
- **NUNCA** utilizar a máquina para lavar objectos de tipo, forma, medida ou material não garantidos para a lavagem na máquina ou não perfeitamente íntegros.
- **NUNCA** utilizar o aparelho ou suas partes como escada ou suporte para pessoas, coisas ou animais.
- **NUNCA** sobrecarregar a porta aberta das máquinas com abertura frontal, que foi dimensionada para suportar somente o cesto carregado com louça.
- **NUNCA** mergulhar as mãos sem luvas nas soluções de lavagem.
- **NUNCA** tombar a máquina após a instalação.

Cap 4 USO DA MÁQUINA

4.1 Significado dos símbolos utilizados

	Pressionar a tecla que corresponde a um dos símbolos indicados.
	O sinalizador luminoso que corresponde a um dos símbolos indicados se acenderá.

	Pressionar a tecla que corresponde a um dos símbolos indicados. O sinalizador luminoso análogo se acenderá.
	O sinalizador luminoso que corresponde a um dos símbolos indicados se apagará.



4.2 Accionamento

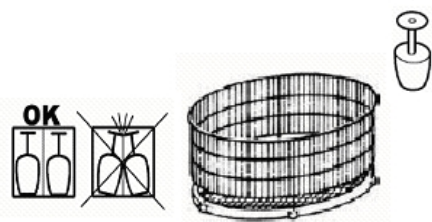
1. Abrir a torneira de rede da água e ligar o interruptor geral de electricidade.
2. Certificar-se que há presença do indicador de demasiado cheio.
3. Pressionar o botão de “accionamento / desligamento” como indicado ao lado. Se presente, o sinalizador luminoso correspondente se acenderá.

4.3 Enchimento e aquecimento

- Se o tanque estiver vazio, a máquina iniciará automaticamente o enchimento quando for ligada.
- Quando o tanque estiver cheio, iniciará o aquecimento. Nas máquinas onde houver sinalizador luminoso correspondente, este se acenderá.
- Quando o tanque e o boiler atingirem as temperaturas programadas, o sinalizador luminoso se apagará.
- Para reduzir o tempo de espera, é possível efectuar um ciclo vazio 5 – 10 minutos após o accionamento.

4.4 Ciclo de lavagem

- Certificar-se que o detergente e a solução para brilho estejam presentes na máquina. As informações sobre os tipos de produto a utilizar e as dosagens (automática ou manual) encontram-se no capítulo “Regulação e verificações”.
- Usar um cesto apropriado, enchê-lo sem sobrecarregá-lo e sem sobrepor as louças. **Efectuar sempre uma remoção preliminar dos resíduos das louças;** não carregar louça com resíduos secos ou sólidos.
- Posicionar os recipientes vazios voltados para baixo no cesto. Inserir os pratos e afins inclinados no cesto específico, com a superfície interna voltada para o alto. Inserir os talheres mistos no cesto específico, com os cabos voltados para baixo.
- **Lavar somente louça apropriadas para este tipo de máquina.**
- É aconselhável lavar a loiça imediatamente após a utilização, para evitar que a sujidade fique incrustada.



Para as versões com cesto rotativo:

- Se possível, execute o ciclo apenas com o cesto cheio, distribuindo a loiça uniformemente.
- Coloque a loiça mais leve no centro do cesto, a mais pesada na parte externa.
- Coloque a loiça mais estreita no centro do cesto, a mais larga na parte externa.

- Carregar o cesto na máquina e fechar a porta.
- **Para as versões com cesto rotativo, certifique-se de que o cesto roda livremente, dando-lhe um ligeiro impulso no sentido dos ponteiros do relógio, depois feche a porta e inicie o ciclo.**
- Para evitar rupturas, usar somente loiça íntegra e garantida para a lavagem em máquina.
- Não colocar talheres de prata e de aço inoxidável no mesmo cesto porta-talheres. Isto causaria o polimento da prata e a provável corrosão do aço.



Nas máquinas com diferentes tempos de lavagem, deve-se seleccionar o tempo de lavagem apropriado para a loiça através do interruptor de "selecção dos tempos" indicado ao lado.



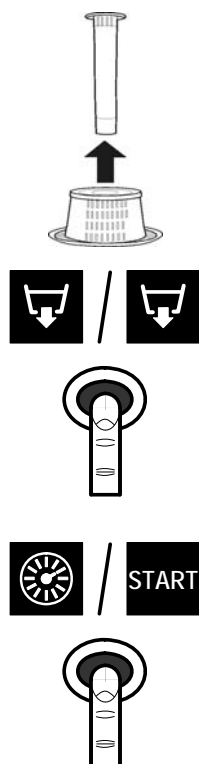
- Para dar início ao ciclo deve-se pressionar o botão de "start / accionamento do ciclo" indicado ao lado.
- Nas máquinas onde houver o "sinalizador luminoso do ciclo, este mesmo indicador se acenderá para avisar que o ciclo de lavagem está em funcionamento.
- Após a fase de lavagem, activam-se, automaticamente, as fases de enxaguamento e escoamento e o ciclo estará terminado. No final do ciclo, o sinalizador luminoso se apagará.

- Se, durante o ciclo, a porta for aberta acidentalmente, a máquina interromperá imediatamente o funcionamento. Para retomar a lavagem do ponto onde foi interrompido, basta fechar a porta.
- Para obter uma secagem rápida, deve-se retirar o cesto da máquina imediatamente após o término do ciclo.
- **Se a solução de lavagem estiver muito suja ou quando encontrar resíduos de sujidade no filtro do tanque deve-se efectuar a manutenção ordinária como especificado no capítulo "Manutenção".**
- **Para efectuar os ciclos seguintes, seguir as indicações descritas no parágrafo "Ciclo de lavagem".**



4.5 Desligamento da máquina

Pressionar a tecla "accionamento / desligamento" como indicado ao lado. Nas máquinas com sinalizador luminoso correspondente, este se apagará.



4.6 Esvaziamento da máquina

4.6.1 Máquinas sem bomba de escoamento

1. Desligar a máquina como indicado no parágrafo acima "Desligamento da máquina".
2. Extrair o indicador de "demasiado cheio": aguardar que o tanque esteja totalmente vazio.

4.6.2 Máquinas com bomba de escoamento

1. Desligar a máquina como indicado no parágrafo "Desligamento da máquina".
2. Extrair o indicador de "demasiado cheio" e fechar a porta.
3. Pressionar o botão "bomba de escoamento" indicado ao lado para o escoamento.
4. Para as máquinas sem botão "bomba de escoamento", deve-se desligar a máquina, como indicado no parágrafo "Desligamento da máquina".
5. Extrair o indicador de "demasiado cheio" e fechar a porta.
6. Pressionar o botão "start/ accionamento do ciclo" indicado ao lado para efectuar o escoamento.

- Quando o tanque estiver totalmente vazio, deve-se limpar a máquina como descrito no capítulo "Manutenção".
- Desligar a máquina todas as vezes que o indicador de "demasiado cheio" for retirado.

4.7 Regeneração das resinas

Se a máquina for dotada de depurador interno (disponível mediante pedido), para restabelecer o funcionamento correcto do depurador, deve-se efectuar, periodicamente, a regeneração das resinas de troca. O número de ciclos entre uma regeneração e a regeneração seguinte deverá ser estabelecido com base na dureza da água como indicado na tabela a seguir.

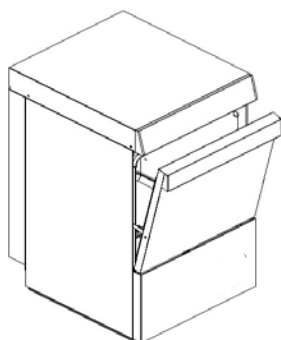
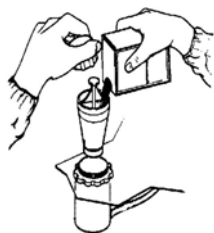
dH	F	Nº Ciclos
6,0	10	153
6,5	11	147
7,0	12	140
7,5	13	133
8,0	14	127
8,5	15	120
9,0	16	113

dH	F	Nº Ciclos
9,5	17	107
10,0	18	100
10,5	19	93
11,0	20	87
12,0	21	83
12,5	22	80
13,0	23	77

dH	F	Nº Ciclos
13,5	24	73
14,0	25	70
14,5	26	67
15,0	27	63
15,5	28	60
16,0	29	57
17,0	30	53

dH	F	Nº Ciclos
17,5	31	52
18,0	32	50
18,5	33	48
19,0	34	47
19,5	35	43

- Aconselhamos efectuar a regeneração durante os intervalos de trabalho.
- Desligar a máquina como indicado no parágrafo "Desligamento da máquina".
- Esvaziar a máquina como indicado no parágrafo "Esvaziamento da máquina".
- Limpar a máquina como indicado no capítulo "Manutenção". Ao terminar a limpeza deve-se abrir novamente a torneira de rede de água e ligar o interruptor geral de electricidade.



- Certificar-se que o indicador de "demasiado cheio" tenha sido retirado.
- Abrir o recipiente para sal situado no interior do tanque.
- Introduzir cerca de 250g de sal de regeneração no recipiente (sal de cozinha sem aditivos em grãos de 1 ou 2 mm de diâmetro).
- Fechar com força o recipiente.
- Fechar a porta
- **Sem ligar a máquina**, deve-se pressionar o botão de "start / accionamento do ciclo" até quando o "sinalizador luminoso de ciclo" correspondente acender-se.
- O ciclo de regeneração terá início e continuará por cerca de 20 minutos.
- Quando o sinalizador luminoso de ciclo apagar-se, a regeneração estará terminada.

Ao término do ciclo de regeneração, com o tanque vazio e sem o indicador de "demasiado cheio" aconselhamos:

- ligar a máquina pressionando a tecla de "accionamento / desligamento" indicado ao lado
- deixar que a água escorra por cerca de 1 minuto, de modo a eliminar os resíduos de sal do tanque.
- Desligar a máquina utilizando a tecla de accionamento / desligamento e reinstalar o indicador de "demasiado cheio".

A máquina estará pronta para ser carregada novamente.

4.8 Fim de serviço

- No final do dia, esvazie sempre a máquina como descrito no parágrafo "Esvaziar a máquina".
- **Desligue a alimentação eléctrica através do interruptor geral e feche a torneira externa da água.**
- Efectue a manutenção ordinária e limpe a máquina como descrito no parágrafo "Manutenção".
- Se possível, deixe a porta entreaberta para evitar a formação de odores desagradáveis no interior.

Cap 5 MANUTENÇÃO



Antes de efectuar qualquer operação de manutenção, deve-se escoar totalmente a água, como descrito no parágrafo "Esvaziamento da máquina", desligar a electricidade através do interruptor geral externo e fechar a válvula externa da água.

5.1 Limpeza e higiene

Para garantir a higiene da máquina, devem efectuar-se **regularmente as operações de manutenção ordinária (diária), semanal e anual** indicadas de seguida. Efectue também um tratamento periódico de desinfectação com produtos adequados, não corrosivos, disponíveis no mercado.

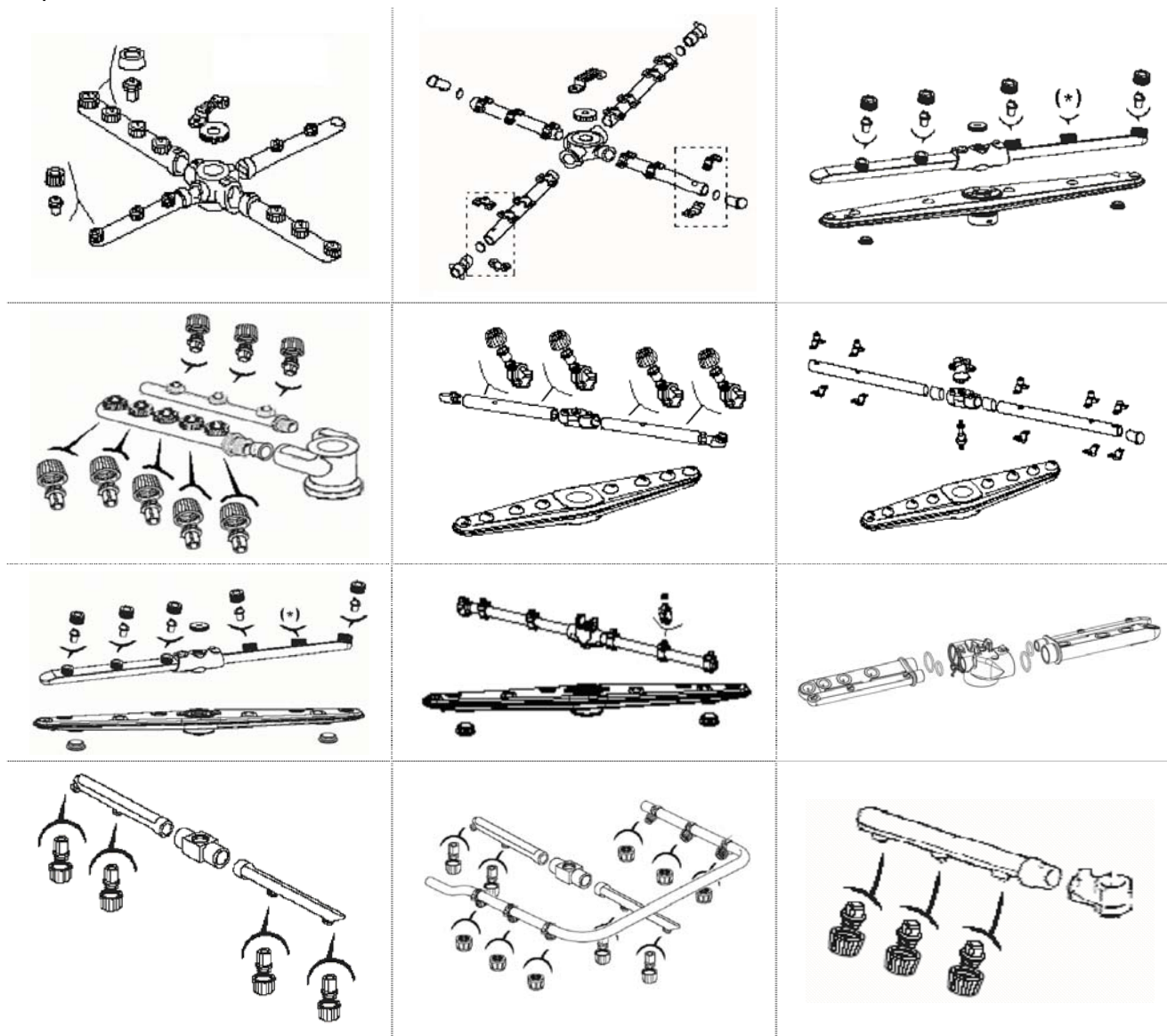
5.2 Manutenção ordinária (diária)

- Quando forem encontrados resíduos no filtro do tanque.
- Extrair e limpar os cestos, o indicador de "demasiado cheio" e o filtro.
- Para limpar o tanque de aço não utilizar produtos ou objectos abrasivos; utilizar um pano húmido com pouco sabão.
- Não usar jactos de água sob pressão pois poderiam danificar a instalação eléctrica.

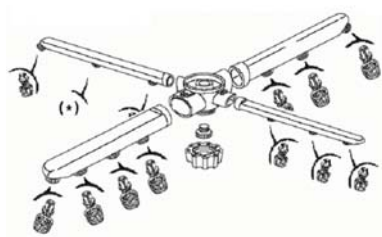
5.3 Manutenção semanal

- Efectue a manutenção ordinária.
- Retire e limpe os braços e os bicos de lavagem e enxaguamento.

A seguir descrevem-se as possíveis configurações de braços de lavagem/enxaguamento superiores e inferiores.



(*) Aspersor fechado. Bico não disponível.



- Limpe os pernos de rotação dos braços e a zona de saída da água de lavagem e de enxaguamento.
- Limpe bem a cuba e a máquina com produtos desinfectantes não abrasivos.
- Volte a montar correctamente bicos, braços e filtros, prestando atenção às inclinações e ao engate dos braços nas respectivas sedes.

5.4 Manutenção anual

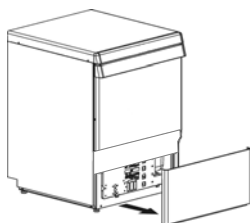
A máquina deve ser meticolosamente controlada por um técnico especializado. Principalmente em relação a:

- Remoção dos depósitos do tanque.
- Desmontagem e limpeza total dos braços e bicos de lavagem e enxaguamento.
- **Limpeza meticulosa do parcializador inserido no eixo do braço de lavagem inferior e a área de saída da água.**
- Reinstalação do parcializador, do pino e dos braços de lavagem e enxaguamento.
- Verificação do bom estado dos vedantes e o estado de desgaste de outros componentes, como bombas, doseadores, etc.
- Verificação da regulação dos doseadores de solução para brilho e de detergente.
- Verificação e, se necessário, limpeza das resistências.

Se a máquina não for utilizada por longos períodos, é necessário que seja preparada adequadamente. Se, quando for novamente ligada, houver suspeita de presença de gelo, utilizar o aparelho somente depois que um técnico qualificado tiver inspecionado o boiler e os tubos.

Cap 6 REGULAÇÃO E VERIFICAÇÕES

As seguintes operações de regulação e verificação devem ser efectuadas exclusivamente por pessoal qualificado e autorizado, prestando a máxima atenção e tomando as precauções necessárias caso for preciso desactivar os dispositivos de segurança da máquina.



6.1 Doseadores

Antes de efectuar o **ajuste**, o doseador ou os doseadores e os tubos de alimentação deverão estar cheios. O ajuste é feito com os parafusos de regulação correspondentes que podem ser encontrados desmontando o painel frontal, abaixo da porta do tanque.




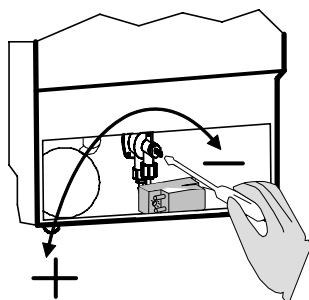
- **A garantia não cobre danos causados por um uso incorrecto do ou dos doseadores ou no caso de dosagem manual incorrecta.**
- **A escolha e a dosagem do detergente e da solução para brilho são determinantes para o bom resultado da lavagem e para a duração do aparelho. Usar somente produtos líquidos para lavagem industrial que produzem pouca espuma.**
- **As regulações devem ser feitas com a máquina quente e com o produto bem doseado.**



6.1.1 Doseador da solução para brilho

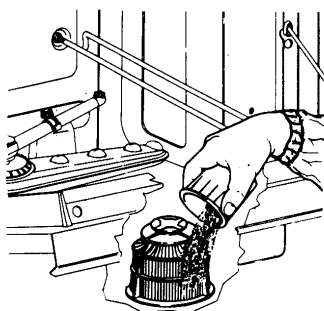
O nível da solução para brilho no recipiente deve ser suficiente; nunca deverá baixar até esvaziar-se nem ser atestado com produtos corrosivos ou impuros. Para encher o tubo de alimentação e o doseador, deve-se ligar a máquina, dar início ao ciclo de lavagem,

aguardar cerca de 20 segundos e pressionar o botão de “accionamento / desligamento”  por 8-10 vezes com intervalos de cerca de 10 segundos. O botão deve ficar pressionado para que o ciclo de lavagem possa terminar.



- Girando o parafuso de regulação no sentido horário, a quantidade de solução para brilho fornecida pela máquina diminuirá, e girando-a no sentido anti-horário esta quantidade aumentará.
- Para obter uma indicação sobre a quantidade de produto para o primeiro ajuste, devem ser utilizadas as doses indicadas pelo fornecedor do produto escolhido.
- A regulação deve ser aperfeiçoada avaliando os resultados de enxaguamento obtidos depois de pelo menos três ciclos, para estabilizar os resultados.

- Estrias nas louças e formação de espuma na solução de lavagem indicam excesso de solução para brilho. A louça coberta com gotas de água e uma secagem muito lenta indicam falta de solução para brilho.
- Para obter óptimos resultados deve-se utilizar somente soluções para brilho onde a dose aconselhada pelo produtor seja menor do que 1.5 gr/litro.
- 7,9 cm de tubo = 1 ml. de produto (= 1 gr de produto com densidade equivalente a 1 kg/dm³). A água utilizada para o enxaguamento é cerca de 3 litros/ciclo.
- Não modificar a diferença de altura entre a cuba e a base da máquina depois de ter determinado a dosagem.
- Se a diferença de altura entre a cuba e a base da máquina for superior a 80 cm, o doseador poderá não funcionar correctamente.
- Se não utilizar o abrillantador, feche completamente o parafuso de regulação do doseador.



6.1.2 Aparelho sem doseador de detergente
A dosagem manual é desaconselhada pois não garante os resultados óptimos de um doseador automático. Se, mesmo assim, não for utilizado um doseador automático, deve-se introduzir o detergente na área do filtro de aspiração da bomba a cada 5 ciclos, segundo a dose aconselhada pelo fabricante. Consultar os dados técnicos para saber a quantidade de água no tanque sendo que a água utilizada para o enxaguamento é de cerca de 3 litros. Para cada enchimento deve-se adicionar a dose para a água contida no tanque e os 5 enxaguamentos seguintes. Para as doses seguintes deve-se adicionar somente o detergente necessário para os enxaguamentos.

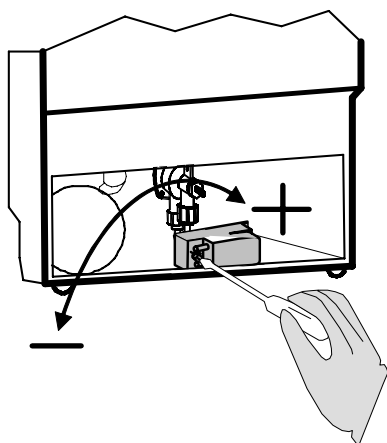


A instalação de um doseador automático é sempre recomendada.



6.1.3 Aparelho com doseador de detergente (disponível a pedido)

O nível do detergente no recipiente deve ser suficiente; nunca deverá baixar até esvaziar-se nem ser atestado com produtos corrosivos ou impuros. Para encher o tubo de alimentação é suficiente ligar a máquina e efectuar o primeiro enchimento com o doseador ligado.



- Girando o parafuso de regulação no sentido anti-horário, a quantidade de detergente fornecido pela máquina será menor, se for girado no sentido horário, esta quantidade aumentará (de 1 ÷ 1,5 ml para cada enxaguamento por marca, que correspondem a cerca 1,2 ÷ 1,8 gr de produto com densidade equivalente a 1,2 kg/dm³). Consultar os dados técnicos da máquina para saber a quantidade de água do tanque.
- Para obter uma indicação sobre a quantidade de produto para o primeiro ajuste, consultar as doses indicadas pelo fornecedor do produto escolhido.
- A regulação deve ser aperfeiçoada avaliando os resultados de lavagem obtidos depois de pelo menos três ciclos, para estabilizar os resultados.

- **No tanque não deve haver presença de espuma no final de um ciclo.**
- Se houver espuma, deve-se, primeiramente, verificar o tipo de detergente utilizado, e, se necessário, substituí-lo com um detergente mais apropriado. Se continuar a haver espuma, verificar se a temperatura da água no tanque é correcta e, se necessário, diminuir a dose de detergente até a eliminação total da espuma.
- Com os doseadores entregues com a máquina é necessário utilizar somente detergentes onde a dose aconselhada pelo produtor seja menor do que 5gr/litro.

Cap 7 DESINSTALAÇÃO



A desinstalação pode ser efectuada somente por pessoal técnico qualificado e autorizado.

- Desligar a alimentação à máquina através do interruptor geral externo.
- Fechar a torneira externa de alimentação de água.
- Desligar totalmente a máquina das redes de alimentação eléctrica e hidráulica.
- Esvaziar, limpar e preparar totalmente todos os circuitos hidráulicos internos, os dosadores, as bombas e o boiler.
- Esvazie completamente os doseadores de detergente e abrillantador e os tubos a eles ligados, certificando-se de que elimina correctamente o detergente e o abrillantador (contacte o fornecedor dos produtos utilizados).

Cap 8 ELIMINAÇÃO

Em nossas máquinas não existem materiais que exijam procedimentos específicos para a eliminação.



8.1 Eliminação Correcta Deste Produto (Resíduo de Equipamentos Eléctricos e Electrónicos)

Esta marca, apresentada no produto ou na sua literatura indica que ele não deverá ser eliminado juntamente com os resíduos domésticos indiferenciados no final do seu período de vida útil. Para impedir danos ao ambiente e à saúde humana causados pela eliminação incontrolada de resíduos deverá separar este equipamento de outros tipos de resíduos e reciclá-lo de forma responsável, para promover uma reutilização sustentável dos recursos materiais.

Os utilizadores domésticos deverão contactar ou o estabelecimento onde adquiriram este produto ou as entidades locais para obterem informações sobre onde e de que forma podem levar este produto para permitir efectuar uma reciclagem segura em termos ambientais.

Os utilizadores profissionais deverão contactar o seu fornecedor para consultar os termos e condições do contrato de compra. Este produto não deverá ser misturado com outros resíduos comerciais para eliminação.

INHOUD

HFDST 1	VOORWOORD	2
HFDST 2	INSTALLATIE	2
2.1	UITPAKKEN	2
2.2	PLAATSING	2
2.3	AANSLUITING ELEKTRICITEIT	3
2.4	HYDRAULISCHE VERBINDING.....	3
2.5	AANSLUITING OP AFVOER	4
HFDST 3	RISICO'S EN BELANGRIJKE MEDEDELINGEN	4
HFDST 4	GEBRUIK VAN DE MACHINE	5
4.1	BETEKENIS VAN DE GEBRUIKTE SYMBOLEN.....	5
4.2	AANZETTEN	5
4.3	VULLEN EN VERWARMEN	5
4.4	WASCYCLUS	5
4.5	MACHINE UITZETTEN	6
4.6	MACHINE LEEG LATEN LOPEN	7
4.6.1	<i>Machines zonder afvoerpomp</i>	7
4.6.2	<i>Machine met afvoerpomp</i>	7
4.7	REGENEREERSYSTEEM	7
4.8	EINDE GEBRUIK.....	8
HFDST 5	ONDERHOUD	8
5.1	REINIGING EN HYGIËNE.....	8
5.2	GEWOON ONDERHOUD (DAGELIJKS).....	9
5.3	WEKELIJKS ONDERHOUD	9
5.4	JAARLIJKS ONDERHOUD	10
HFDST 6	INSTELLINGEN EN CONTROLES	10
6.1	DOSEERINRICHTINGEN	10
6.1.1	<i>Doseerinrichting glansmiddel</i>	10
6.1.2	<i>Apparaat zonder doseerinrichting voor reinigingsmiddel</i>	11
6.1.3	<i>Apparaat met doseerinrichting voor reinigingsmiddel (beschikbaar op verzoek)</i>	11
HFDST 7	EMONTEREN	12
HFDST 8	AFVALVERWERKING	12
8.1	CORRECTE VERWIJDERING VAN DIT PRODUCT	12

De fabrikant is volgens de wet eigenaar van dit document en daarmee is er een verbod om dit document te kopiëren en te verspreiden zonder zijn schriftelijke toestemming vooraf.

De fabrikant behoudt zich het recht voor om door hem noodzakelijk geachte aanpassingen ter verbetering uit te voeren zonder melding vooraf.

Hfdst 1 VOORWOORD

Het niet opvolgen van de aanwijzingen die in de ingesloten documentatie staan, kan de veiligheid van het apparaat in gevaar brengen en de garantie meteen doen vervallen.



De waarschuwingen in deze handleiding geven belangrijke aanwijzingen voor de veiligheid tijdens de verschillende installatiefases, het gebruik en het onderhoud.

Bewaar alle documentatie zorgvuldig in de nabijheid van het apparaat; geef deze aan de monteurs en aan de bedieners die met de apparatuur werken. **De bediener moet deze handleiding lezen, begrijpen en leren vóór het in gebruik nemen van de machine.** Het apparaat is gemaakt voor industrieel vaatwassen, dus de installatie, het gebruik en het onderhoud zijn alleen voorbehouden aan opgeleid personeel die de instructies van de fabrikant in acht nemen. Laat kinderen uit de buurt van de machine blijven. De keuze van de materialen, de constructie volgens de veiligheidsnormen van de EG en een complete test garanderen de kwaliteit van deze machine. Naast deze handleiding, worden tevens bij de machine geleverd:

- elektronisch schema
- topografische tafel

De fabrikant neemt geen verantwoording voor schade aan dingen of personen die voortkomen uit het niet in acht nemen van de gegeven instructies of door een onjuist gebruik van de machine.

Hfdst 2 INSTALLATIE

Een correcte installatie is fundamenteel voor een goede werking van de machine. Sommige benodigde gegevens voor het installeren van de machine staan op het kenmerkenplaatje op de rechter zijkant van de machine en in kopie op de omslag van deze handleiding.



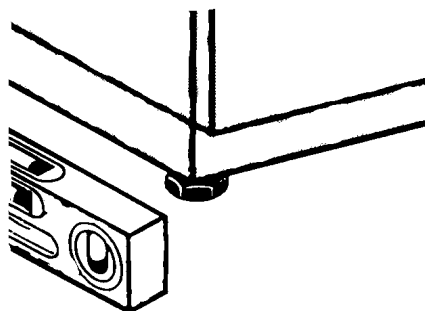
De installatie mag alleen door bekwaam en bevoegd personeel worden uitgevoerd.

2.1 Uitpakken

Kijk of de verpakking heel is. Zo niet, noteer de eventuele ontdekte beschadigingen op de afleveringsbon. Nadat de verpakking verwijderd is, controleer of **het apparaat onbeschadigd is**; mocht de machine beschadigd zijn, breng de verkoper dan meteen per fax of aangetekende brief op de hoogte en informeer ook het bedrijf dat het getransporteerd heeft uitgevoerd. Zijn de beschadigingen zodanig dat deze afbreuk doen aan de veiligheid van de machine, installeer en / of gebruik niets voordat er een vakman bij is geweest.



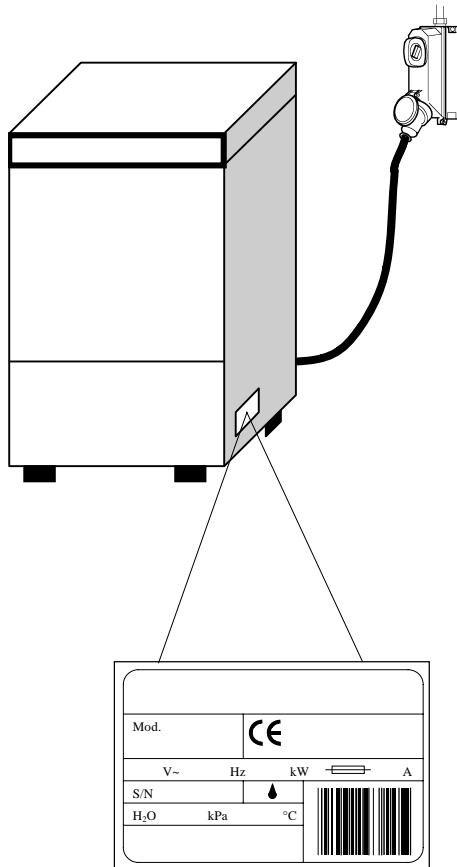
De onderdelen van de verpakking (plastic zakken, uitgezet polystyreen, spijkers, enz. ...) moeten buiten het bereik van kinderen en huisdieren gehouden worden aangezien deze ongelukken kunnen veroorzaken.



2.2 Plaatsing

- Zorg ervoor dat er in de buurt van de installatie, geen, of onvoldoende beschermde, onderdelen en materialen zijn, die beschadigd kunnen worden door waterdamp uit de machine in werking.
- Om de stabiliteit te garanderen moet de machine op vier poten geïnstalleerd en genivelleerd worden.
- De verschillende installatiemogelijkheden moeten overeengekomen worden met, en goedgekeurd worden door de fabrikant..

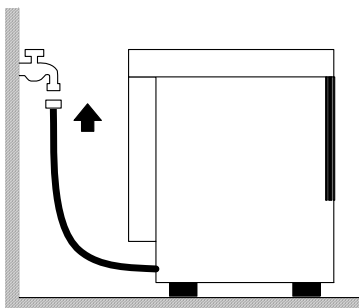
2.3 Aansluiting elektriciteit



- **Er moet een hoofdschakelaar van het éénpolige type aanwezig zijn, die alle contacten, inclusief de neutrale, uitschakelt en een afstand tussen de open contacten heeft van minstens 3 mm en met een magno-termisch veiligheidsmechanisme of gekoppeld is aan zekeringen**, die op de juiste grootte gemaakt of bijgesteld moet worden, afhankelijk van het vermogen op het kenmerkenplaatje op de machine.
- De hoofdschakelaar moet op het elektrische net aangesloten zijn dat dicht bij de installatie zit en mag uitsluitend één apparaat per keer voeden.
- De spanning en frequentie van het elektrische net moeten overeenkomen met die van het kenmerkenplaatje.
- Er moet een doeltreffende aarding-installatie zijn die voldoet aan de huidige preventienormen, nodig voor de veiligheid van de bediener en de apparatuur.
- De voedingskabel, van het type H07RN-F en niet anders, mag tijdens de normale werking of het gewone onderhoud niet op spanning staan of geplet worden.
- De equipotentiële klem die op het lichaam vastzit, moet verbonden zijn met een equipotentiële kabel die een voor deze applicatie geschikte diameter moet hebben.
- **Houd u aan de aangegeven polariteiten in het stroomschema.**
- Voor nadere informatie, zie het bijgevoegde elektronische schema.



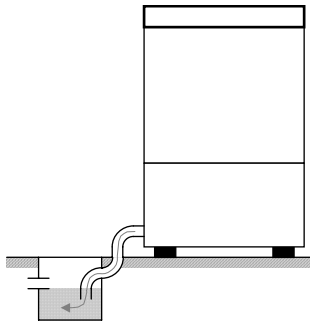
Gebruik geen adapters, meervoudige stopcontacten, kabels van een onjuist type en diameter of met verlengkoppelingen die niet conform zijn aan de huidige normen voor dergelijke installaties.



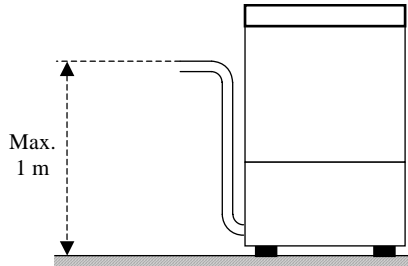
2.4 Hydraulische verbinding

De apparatuur moet met een flexibele slang op de waterleiding worden aangesloten. Tussen de waterleiding en de zekering van het apparaat moet een spoel- of bolklep zitten of een doorstroomregelaar **die in staat is om het watertoevoer snel en volledig te sluiten indien nodig**. De klep die zonodig het water afsluit, moet zich op de lijn, dicht bij en net voor het apparaat bevinden.

- Als de installatie nieuw of weinig gebruikt is, laat voor aansluiting eerst lange tijd het water er doorstromen.
- De hoeveelheid water, de temperatuur en de druk, **moeten overeenkomen met** de gegevens op het plaatje met technische kenmerken van de machine.
- Als de hardheid van het water hoger is dan 14 F (8 dH) raden wij aan om de machine te gebruiken met een interne verzachter (op aanvraag leverbaar). Als de hardheid van het water hoger is dan 35 F (19,5 dH) raden wij aan om een externe verzachter voor de zekering te plaatsen.



Onbelemmerde afvoer



Met afvoerpomp (op aanvraag leverbaar)

2.5 Aansluiting op afvoer

- **Het afvoernet moet over een put beschikken die onbelemmerd kan afvoeren** met afmetingen die passen bij de afvoerslang die bij de machine geleverd is. De slang moet bij de put kunnen, **zonder eraan te trekken, zonder gedwongen, gebogen, geplet of ingedrukt te zijn of door iets geforceerd te zijn.**
- Het bassin wordt geleegd door de zwaartekracht, dus de afvoer moet zich op een **lager niveau bevinden dan de onderkant van de machine.**
- Mocht de afvoer zich niet op een lager niveau dan de onderkant van de machine bevinden, dan is het mogelijk om dit model met een afvoerpomp uit te rusten (op aanvraag leverbaar).
- In dit geval is de maximale hoogte van de afvoer 1 m.
- Zorg altijd dat de afvoer goed werkt en dat er geen verstoppingen zijn.
- Iedere andere oplossing moet eerst met de fabrikant besproken en goedgekeurd worden.

Hfdst 3 RISICO'S EN BELANGRIJKE MEDEDELINGEN

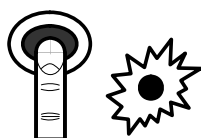
- Dit apparaat is alleen bestemd voor het gebruik waarvoor het ontwikkeld is. Ieder ander gebruik wordt als onjuist beschouwd en is daarom gevaarlijk.
- **Het gespecialiseerde personeel dat de installatie uitvoert, moet de gebruiker goed voorlichten over de werking van het apparaat en welke eventuele veiligheidsvoorschriften in acht genomen moeten worden, ook door het geven van simpele demonstraties.**
- Iedere interventie aan de machine, ook bij storing, mag alleen door de fabrikant of door een goedgekeurde assistentie en door bekwaam personeel uitgevoerd worden, **waarbij alleen originele reserveonderdelen gebruikt mogen worden.**
- Zet de machine altijd eerst uit of zorg dat hij losgekoppeld is van het elektriciteit- en hydraulische net voordat er onderhoud gepleegd wordt, reparatie uitgevoerd wordt of schoon wordt gemaakt.
- De machine mag **NIET** gebruikt worden door onopgeleid personeel.
- De machine mag **NIET** onder spanning blijven staan als deze niet gebruikt wordt.
- Open de deur van de machine **NIET** met snelheid als het programma nog niet is afgelopen.
- Gebruik de machine **NIET** zonder de door de fabrikant voorgeschreven bescherming.
- Gebruik de machine **NIET** voor het wassen van voorwerpen van een type, vorm, maat of materiaal die niet geschikt zijn voor de machinewas of niet volledig zijn.
- Gebruik het apparaat of zijn onderdelen **NIET** als ladder of onderstel voor mensen, dingen of dieren.
- Plaats **NIET** te veel op de open deur van machines met een frontaal laadsysteem, want deze is ontwikkeld om alleen de mand met vaat te dragen.
- Kom **NIET** met blote handen aan het wasmiddel.
- Keer de machine na installatie **NIET** om.

Hfdst 4 GEBRUIK VAN DE MACHINE

4.1 Betekenis van de gebruikte symbolen

 / 	Druk op de toets die bij één van de aangegeven symbolen hoort.
 / 	Het indicatielampje dat bij één van de aangegeven symbolen hoort gaat branden.

 / 	Druk op de toets die bij één van de aangegeven symbolen hoort. Het bijbehorende lampje gaat branden.
 / 	Het indicatielampje dat bij één van de aangegeven symbolen hoort, gaat uit.



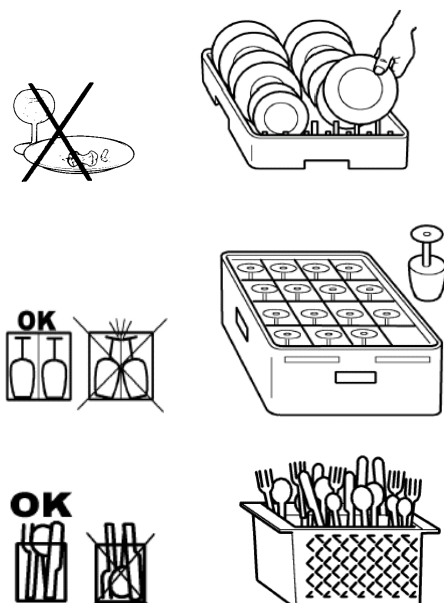
4.2 Aanzetten

1. Open het kraantje van het watertoevoer en schakel de hoofdschakelaar van de stroomtoevoer in.
2. Controleer of de aquastop aanwezig is.
3. Druk op de hiernaast aangegeven aan/uit-knop. Indien aanwezig gaat het bijbehorende lampje branden.

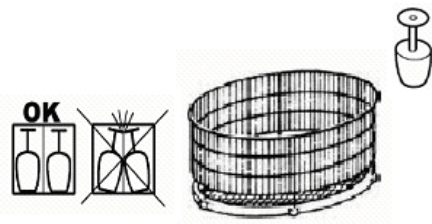
4.3 Vullen en verwarmen

- Als de kuip leeg is, begint de machine wanneer hij wordt aanzet automatisch vol te lopen.
- Als de kuip vol is, begint de verwarming. Op de machines die daarover beschikken, begint het bijbehorende lampje te branden.
- Wanneer de kuip en de boiler de ingestelde temperatuur hebben bereikt, dooft het lampje.
- Om de wachttijd te verkorten is het mogelijk 5 – 10 minuten na het aanzetten een lege cyclus te draaien.

4.4 Wascyclus

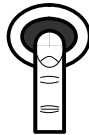


- Controleer of er reinigingsmiddel en glansmiddel aanwezig is. Het hoofdstuk "Instellingen en controles" bevat informatie over het soort product dat moet worden gebruikt, en over de (automatische of handmatige) dosering.
- Gebruik een geschikte korf, vul hem zonder hem te overladen en zonder het vaatwerk over elkaar te plaatsen. **Spoel altijd eerst de resten van het vaatwerk**, zet er geen vaatwerk in met droge of aangekoekte etensresten.
- Zet lege potten omgekeerd in de korf. Zet borden en dergelijke in de speciale schuine korf, met de binnenkant naar boven gericht. Zet gemengd bestek in het speciale korfje, met het handvat naar beneden.
- **Was alleen vaatwerk dat geschikt is voor het type machine.**
- Geadviseerd wordt om de vaat meteen na gebruik te wassen, om te voorkomen dat etensresten hard worden en aankleven op het vaatwerk.

**Bij de versies met draaiende mand:**

- Voer de wascyclus indien mogelijk alleen met een volle mand uit, waarbij u het vaatwerk gelijkmatig verdeelt over de mand.
- Plaats het lichtere vaatwerk in het midden van de mand, en de zwaardere stukken aan de buitenkant.
- Plaats de kleinste stukken in het midden van de mand en de grotere stukken aan de buitenkant.

- Laad de korf in de machine en sluit de deur.
- **Controleer bij de versies met draaiende mand of de mand vrij kan draaien, waarbij u de mand een licht duwtje met de klok mee geeft; sluit de deur en start de cyclus.**
- Gebruik alleen onbeschadigd vaatwerk dat gegarandeerd in de machine kan worden gewassen, om te voorkomen dat het breekt.
- Zet geen zilveren of roestvrijstalen bestek in de bestekkorf. Het zilver zou bruin uitslaan en het roestvrij staal zou worden aangetast.



Bij machines met verschillende wastijden moet de voor het vaatwerk geschikte wastijd worden gekozen met de hiernaast aangeduide schakelaar “selectie wastijden”.



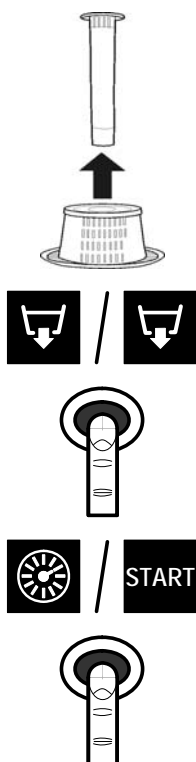
- Druk op de hiernaast aangegeven knop “start / begin cyclus” om de cyclus te starten.
- Op de machines die over een “cycluslampje” beschikken, gaat het lampje branden om aan te geven dat de wascyclus in gang is.
- Na de wasfase starten automatisch de spoel- en afvoerfase, en eindigt de cyclus. Aan het einde van de cyclus dooft het lampje.

- Als tijdens de cyclus de deur per ongeluk wordt geopend, stopt de machine automatisch. Om de cyclus te hervatten waar hij was onderbroken hoeft enkel de deur dicht te worden gedaan.
- Om snel te drogen moet aan het einde van de cyclus onmiddellijk de korf uit de machine worden getrokken.
- **Als het waswater vuil blijkt te zijn of als er vuilresten op het filter van de kuip zitten, moet normaal onderhoud worden uitgevoerd zoals gespecificeerd in het hoofdstuk “Onderhoud”.**
- **Om cycli achter elkaar uit te voeren, moeten de in de paragraaf “Wascyclus” beschreven handelingen opnieuw worden uitgevoerd.**



4.5 Machine uitzetten

Druk op de “aan/uit”-toets zoals hiernaast aangegeven. Op de machines die daarover beschikken dooft het bijbehorende lampje.



4.6 Machine leeg laten lopen

4.6.1 Machines zonder afvoerpomp

1. Zet de machine uit zoals aangegeven in de paragraaf "Machine uitzetten" hierboven.
2. Haal de aquastop eruit: wacht tot de kuip helemaal leeg is.

4.6.2 Machine met afvoerpomp

1. Zet de machine uit zoals aangegeven in de paragraaf "Machine uitzetten" hierboven.
2. Haal het de aquastop eruit en sluit de deur.
3. Druk op de hiernaast aangegeven knop van de "afvoerpomp" om water af te voeren.
4. Bij machines zonder knop voor de afvoerpomp moet de machine uit worden gezet zoals aangegeven in de paragraaf "Machine uitzetten".
5. Haal de aquastop eruit en sluit de deur.
6. Druk op de hiernaast aangegeven knop "start / cyclus beginnen" om water af te voeren.

- Maak wanneer de kuip helemaal leeg is de machine schoon zoals beschreven in het hoofdstuk "Onderhoud".
- Zet altijd de machine uit wanneer de aquastop wordt verwijderd.

4.7 Regeneratiesysteem

Als de machine is uitgerust met een interne waterontharder (op verzoek beschikbaar), moet om de ontharder weer goed te laten werken regelmatig de harsionenuitwisseling worden geregenereerd. Het aantal cycli tussen de ene regeneratie en de andere wordt vastgesteld op grond van de hardheid van het water volgens de volgende tabel.

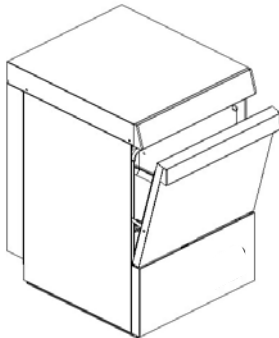
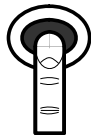
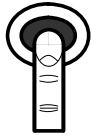
dH	F	N° Cycli
6,0	10	153
6,5	11	147
7,0	12	140
7,5	13	133
8,0	14	127
8,5	15	120
9,0	16	113

dH	F	N° Cycli
9,5	17	107
10,0	18	100
10,5	19	93
11,0	20	87
12,0	21	83
12,5	22	80
13,0	23	77

dH	F	N° Cycli
13,5	24	73
14,0	25	70
14,5	26	67
15,0	27	63
15,5	28	60
16,0	29	57
17,0	30	53

dH	F	N° Cycli
17,5	31	52
18,0	32	50
18,5	33	48
19,0	34	47
19,5	35	43

- Het wordt aangeraden de regeneratie tijdens werkpauses uit te voeren,
- Zet de machine uit zoals aangegeven in de paragraaf "Machine uitzetten".
- Laat de machine leeglopen zoals aangegeven in de paragraaf "Machine leeg laten lopen".
- Maak de machine schoon zoals aangegeven in het hoofdstuk "Onderhoud". Zet na het schoonmaken de kraan van de watertoevoer weer open en schakel de hoofdschakelaar van de stroomtoevoer in.



- Controleer of de aquastop verwijderd is.
- Open het zoutreservoir binnenin de kuip.
- Giet ongeveer 250 g regeneratiezout (keukenzout zonder additieven in korrels met een doorsnee van 1 of 2 mm).
- Duw het reservoir met kracht dicht.
- Sluit de deur.

- Druk, **zonder de machine aan te zetten**, op de knop "start / cyclus beginnen) tot het bijbehorende "cycluslampje" gaat branden.

- De regeneratiecyclus begint en duurt ongeveer 20 minuten.

- Wanneer het cycluslampje dooft is de regeneratie beëindigd.

Na afloop van de regeneratiecyclus, met de kuip leeg en zonder aquastop, wordt aangeraden:

- De machine aan de zetten door op de hiernaast aangegeven aan/uit-knop te drukken.
- Het water ongeveer 1 minuut door te laten lopen, om de zoutresten uit de kuip te verwijderen.
- De machine met de aan/uit-knop uit te zetten, en de aquastop er weer in te plaatsen. De machine is nu weer klaar om te worden ingeladen.

4.8 Einde gebruik

- Haal de machine op het eind van de dag altijd leeg, zoals beschreven wordt in de paragraaf "Leeghalen van de machine".
- **Koppel de elektrische voeding los door middel van de hoofdschakelaar en draai de waterkraan dicht.**
- Voer het gewone onderhoud uit en maak de machine schoon zoals beschreven wordt in de paragraaf "Onderhoud".
- Laat de deur indien mogelijk een beetje open staan om de vorming van onaangename geuren binnenin het apparaat te voorkomen.

Hfdst 5 ONDERHOUD



Voordat enig onderhoud wordt uitgevoerd, moet eerst alle water worden afgevoerd, zoals beschreven in de paragraaf "Machine leeg laten lopen", de externe hoofdschakelaar van de stroomtoevoer worden uitgeschakeld en de externe waterkraan dichtgedraaid.

5.1 Reiniging en hygiëne

Om de hygiëne van de machine te garanderen, **moeten de werkzaamheden voor het gewone onderhoud (dagelijks), het wekelijkse en jaarlijkse onderhoud** stipt worden uitgevoerd zoals hierna aangegeven is. Voer daarnaast regelmatig een desinfectering met geschikte in de handel verkrijgbare, niet-bijtende producten uit.

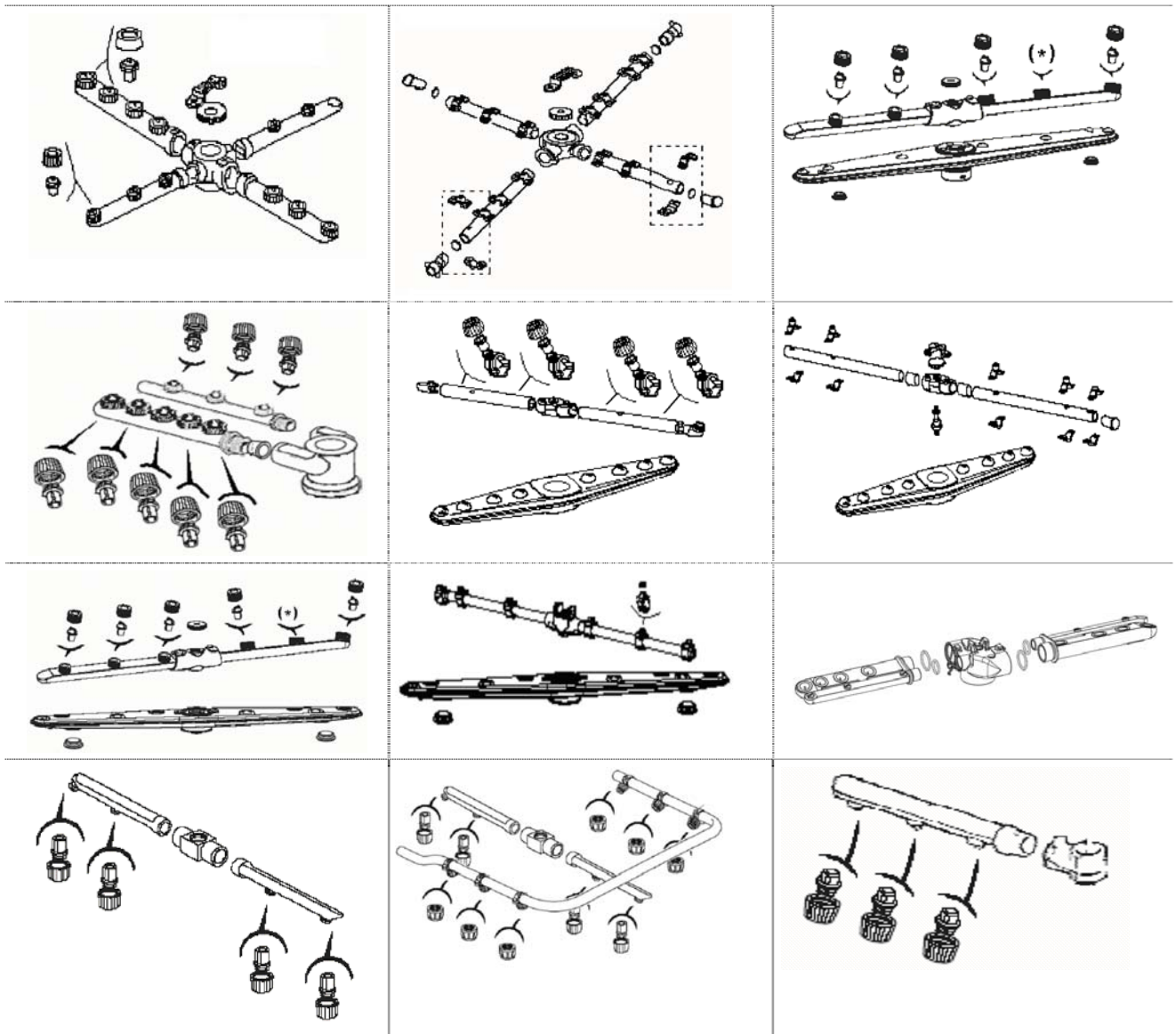
5.2 Gewoon onderhoud (dagelijks)

- Wanneer vuilresten op het kuipfilter worden waargenomen.
- Verwijder de korven, de aquastop en het filter, en maak ze schoon.
- Om de stalen kuip schoon te maken mogen geen schurende producten of voorwerpen worden gebruikt, maar gebruik een vochtige lap met een beetje zeep.
- Gebruik geen waterstraal onder druk, aangezien hierdoor de elektrische installatie beschadigd zou kunnen raken.

5.3 Wekelijks onderhoud

- Voer het gewone onderhoud uit.
- Verwijder en reinig armen en straalpijpen voor het wassen en spoelen.

Hieronder ziet u de mogelijke configuraties van was/spoelarmen aan de boven- en onderkant.



(*) Sproetmond gesloten. Zonder straalpijp.

- Reinig de draaipinnen van de armen en de zone waar het was- en spoelwater naar buiten komt.
- Reinig de kuip en de machine zorgvuldig met niet-schurende desinfecterende producten.
- Monteer straalpijpen, armen en filters opnieuw, waarbij u let op de hoek en de koppeling van de armen in de respectieve zittingen.

5.4 Jaarlijks onderhoud

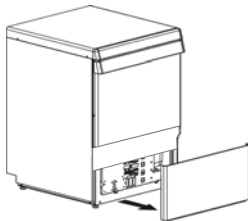
Laat de machine goed nakijken door een gespecialiseerd technicus. In het bijzonder:

- Verwijder de vuilresten uit de kuip
- Demonteer de sproeiarmen en –koppen voor het wassen en spoelen en maak ze helemaal schoon.
- **Maak het verdeelstuk in de basis van de onderste sproeiarm en het deel waar het water uitkomt goed schoon.**
- Hermonteer het verdeelstuk, de pen en de sproeiarmen voor het wassen en spoelen op correcte wijze.
- Controleer of de dichtingen in goede staat verkeren, en of de andere onderdelen zoals de pompen, doseerinrichtingen etc. niet versleten zijn.
- Controleer of de doseerinrichtingen voor het glans- en reinigingsmiddel goed zijn afgesteld.
- Controleer de weerstanden en maak ze eventueel schoon.

Als de machine lange tijd niet wordt gebruikt, moet hij op geschikte wijze worden behandeld. Als wanneer hij opnieuw wordt aangezet wordt vermoed dat er ijs aanwezig is, gebruik het apparaat dan niet tot een gekwalificeerd technicus de boiler en de buizen heeft geïnspecteerd.

Hfdst 6 INSTELLINGEN EN CONTROLES

De volgende instellings- en controlehandelingen mogen uitsluitend door gekwalificeerd en geautoriseerd personeel worden uitgevoerd, dat daarbij zeer zorgvuldig en voorzichtig te werk gaat, en de noodzakelijke voorzorgsmaatregelen neemt als de beveiligingsinrichtingen van de machine moeten worden uitgeschakeld.



6.1 Doseerinrichtingen



Alvorens de doseerinrichting(en) **af te stellen**, moeten deze en de toevoerbuizen vol zijn. Het afstellen wordt uitgevoerd met behulp van de bijbehorende stelschroeven, die toegankelijk zijn door het voorpaneel onder de deur van de kuip te demonteren.

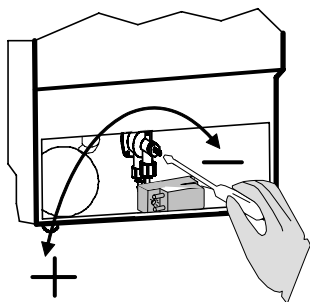


- **De garantie is niet van toepassing op schade die voortkomt uit het verkeerde gebruik van de doseerinrichting(en), of in geval van een verkeerde handmatige dosering.**
- **De keuze en de dosering van het reinigingsmiddel en het glansmiddel zijn bepalend voor een goed wasresultaat en voor de levensduur van het apparaat. Gebruik alleen vloeibare producten voor industrieel wassen met beperkte schuimvorming.**
- **Het afstellen dient plaats te vinden wanneer de machine warm is, en met een goed gedoseerd product.**



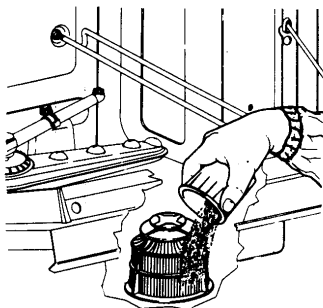
6.1.1 Doseerinrichting glansmiddel

Er moet voldoende glansmiddel in het reservoir zitten; het reservoir mag nooit helemaal leeg raken, of worden bijgevuld met corrosieve of onzuivere producten. Vul de toevoerbuis en de doseerinrichting door de machine aan te zetten, de wascyclus te starten, vervolgens ongeveer 20 seconden te wachten en 8 – 10 keer met een tussenpoos van ongeveer 10 seconden op de “aan/uit”-knop  /  te drukken. Houd hem ingedrukt om de wascyclus te laten eindigen.



- Door de schroef met de wijzers van de klok mee te draaien neemt de hoeveelheid glansmiddel die wordt toegediend af, terwijl door de schroef tegen de wijzers van de klok in te draaien, de hoeveelheid toeneemt.
 - Om een indicatie te krijgen van de hoeveelheid product voor de eerste afstelling, moeten de door de fabrikant van het gekozen product aangegeven doses worden geraadpleegd.
 - De doses moeten preciezer worden afgesteld door de spoelresultaten na minstens drie cycli te beoordelen, voor een stabiel resultaat.
- Strepen op het vaatwerk en schuimvorming op het waswater geven aan dat er te veel glansmiddel is gebruikt. Waterdruppels op het vaatwerk en nogal langzaam drogen geven aan dat er te weinig glansspoelmiddel is gebruikt.
 - Gebruik voor een optimaal resultaat alleen glansmiddelen waarvan de door de fabrikant aanbevolen dosis lager is dan 1,5 g/l.
 - 7,9 cm buis = 1 ml product (= 1 g product met een dichtheid van 1kg/dm³). Voor het spoelen wordt ongeveer 3 liter/cyclus gebruikt.
 - Het verschil in hoogte tussen het reservoir en de basis van de machine mag niet worden gewijzigd nadat de dosering is ingesteld.
 - Als het verschil in hoogte tussen het reservoir en de basis van de machine groter is dan 80 cm, werkt de doseerinrichting niet goed.
 - Als u geen glansspoelmiddel gebruikt, draai de regelschroef van de doseerinrichting dan volledig dicht.

6.1.2 Apparaat zonder doseerinrichting voor reinigingsmiddel



I Handmatig doseren wordt afgeraden, aangezien hiermee niet het optimale resultaat van een automatische doseerinrichting wordt gegarandeerd. Als toch geen automatische doseerinrichting wordt gebruikt, giet dan iedere 5 cycli reinigingsmiddel in het deel van het aanvoerfilter van de pomp, met inachtneming van de door de fabrikant aanbevolen hoeveelheid. Raadpleeg de technische gegevens om de hoeveelheid water in de kuip te weten; voor het spoelen wordt ongeveer 3 liter gebruikt. Iedere keer dat de machine wordt gevuld moet de dosis voor het water in de kuip en de 5 daaropvolgende spoelingen worden toegevoegd. Voor de daaropvolgende doses moet alleen het reinigingsmiddel dat nodig is voor spoelen worden toegevoegd.

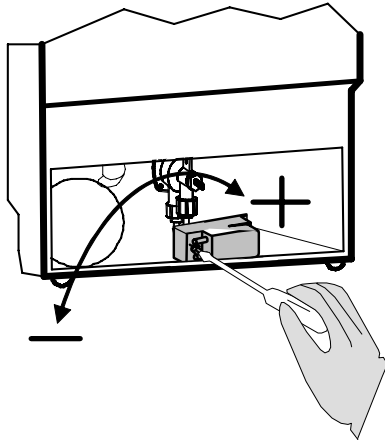


Het wordt altijd aanbevolen een automatische doseerinrichting te laten installeren.



6.1.3 Apparaat met doseerinrichting voor reinigingsmiddel (beschikbaar op verzoek)

Het niveau van het reinigingsmiddel in het reservoir moet voldoende zijn; het reservoir mag nooit helemaal leeg raken, of worden bijgevuld met corrosieve of onzuivere producten. Om de toevoerbuis te vullen is het voldoende de machine aan te zetten en hem voor het eerst te vullen met de doseerinrichting aangesloten.



- Door de regelschroef met de wijzers van de klok mee te draaien neemt de hoeveelheid reinigingsmiddel die wordt toegediend af, terwijl door de schroef tegen de wijzers van de klok in te draaien, de hoeveelheid toeneemt (1 ÷ 1,5 ml per spoeling per streepje, hetgeen overeenkomt met ongeveer 1,2 ÷ 1,8 g product met een dichtheid van 1,2 kg/dm³). Controleer de technische gegevens van de machine om te hoeveelheid water in de kuip te weten.
 - Om een indicatie te krijgen van de hoeveelheid product voor de eerste afstelling, moeten de door de fabrikant van het gekozen product aangegeven doses worden geraadpleegd.
 - De doses moeten preciezer worden afgesteld door de wasresultaten van het spoelen na minstens drie cycli te beoordelen, voor een stabiel wasresultaat.
- **Aan het einde van de cyclus mag er geen schuim in de kuip aanwezig zijn.**
 - Indien er wel schuim aanwezig is, moet eerst het type gebruikte reinigingsmiddel worden gecontroleerd, en eventueel worden vervangen door een geschikter reinigingsmiddel. Als er nog steeds schuim aanwezig is, controleer dan of de temperatuur van het water in de kuip juist is, en verlaag eventueel de dosering van het reinigingsmiddel tot alle schuim is verdwenen.
 - Met de bijgeleverde doseerinrichtingen mogen uitsluitend reinigingsmiddelen worden gebruikt waarvan de door de fabrikant aanbevolen dosis lager is dan 5 g/liter.
 - solo detersivi la cui dose consigliata dal produttore sia minore di 5gr/litro.

Hfdst 7 EMONTEREN



Het demonteren mag alleen door een bekwaam vakman uitgevoerd worden.

- **Haal de elektriciteit van de machine af middels de externe hoofdschakelaar.**
- **Doe de buitenkraan van de watertoevoer dicht.**
- **Haal de machine helemaal van het elektronische en hydraulische net af.**
- Maak alle interne hydraulische circuits, de doseerders, de pompen en de boiler leeg, maak deze schoon en klaar voor gebruik.
- Ledig de doseerinrichtingen en de daarop aangesloten leidingen volledig van afwasmiddel en glansspoelmiddel; werp het afwasmiddel en het glansmiddel op de juiste manier weg (neem contact op met de leveranciers van de gebruikte producten)

Hfdst 8 AFVALVERWERKING

Onze machines bevatten geen materialen die om speciale procedures voor afvalverwerking vragen.



8.1 Correcte verwijdering van dit product (elektrischen & elektronische afvalapparatuur)

Dit merkteken op het product of het bijbehorende informatiemateriaal duidt erop dat het niet met ander huishoudelijk afval verwijderd moet worden aan het einde van zijn gebruiksduur. Om mogelijke schade aan het milieu of de menselijke gezondheid door ongecontroleerde afvalverwijdering te voorkomen, moet u dit product van andere soorten afval scheiden en op een verantwoorde manier recyclen, zodat het duurzame gebruik van materiaalbronnen wordt bevorderd.

Huishoudelijke gebruikers moeten contact opnemen met de winkel waar ze dit product hebben gekocht of met de gemeente waar ze wonen om te vernemen waar en hoe ze dit product milieuriendelijk kunnen laten recyclen.

Zakelijke gebruikers moeten contact opnemen met hun leverancier en de algemene voorwaarden van de koopovereenkomsten nalezen. Dit product moet niet worden gemengd met ander bedrijfsafval voor verwijdering.

INDHOLDSFORTEGNELSE

KAP 1	FORORD	2
KAP 2	INSTALLERING	2
2.1	UDPAKNING	2
2.2	OPSTILLING	2
2.3	TILSLUTNING TIL ELFORSYNINGEN	3
2.4	TILSLUTNING TIL VANDFORSYNINGEN	3
2.5	FORBINDELSE TIL AFLØBSSYSTEMET	4
KAP 3	RISICI OG VIGTIGE PÅBUD	4
KAP 4	BRUG AF MASKINEN	5
4.1	DE ANVENDTE SYMBOLERS BETYDNING	5
4.2	TÆNDING.....	5
4.3	VANDPÅFYLDNING OG OPVARMNING	5
4.4	VASKECYKLUS.....	5
4.5	SLUKNING AF MASKINEN	6
4.6	TØMNING AF MASKINEN.....	7
4.6.1	<i>Maskiner uden udledningspumpe</i>	7
4.6.2	<i>Maskiner med udledningspumpe</i>	7
4.7	REGENERERING AF HARPIKS	7
4.8	DRIFTSAFSLUTNING	8
KAP 5	VEDLIGEHOLDELSE	8
5.1	RENGØRING OG HYGIEJNE.....	8
5.2	ALMINDELIG VEDLIGEHOLDELSE (DAGLIG)	8
5.3	UGENTLIG VEDLIGEHOLDELSE.....	9
5.4	ÅRLIG VEDLIGEHOLDELSE.....	10
KAP 6	REGULERINGER OG KONTROLLER	10
6.1	DOSERINGSANORDNINGER	10
6.1.1	<i>Afspændingsmidlets doseringsanordning</i>	10
6.1.2	<i>Apparat uden opvaskemiddeldoseringsanordning</i>	11
6.1.3	<i>Apparat med opvaskemiddeldoseringsanordning (disponibel på forespørgsel)</i>	11
KAP 7	AFINSTALLERING	12
KAP 8	BORTSKAFFELSE	12
8.1	KORREKT AFFALDSBORTSKAFFLES AF DETTE PRODUKT	12

Fabrikanten forbeholder sig enhver lovmæssig ejendomsret i forbindelse med nærværende dokument, med forbud mod at gengive det og udbrede det med hvilket som helst middel uden dennes skriftlige tilladelse dertil.

Fabrikanten forbeholder sig retten til at foretage ændringer uden varsel med det formål at foretage de udbedringer, som skønnes nødvendige.

Hvis angivelserne i den vedlagte dokumentation ikke overholdes, garanteres der ikke for apparatets sikkerhed, og man risikerer øjeblikkeligt bortfald af garantien.



Advarselsafsnittene i denne vejledning indeholder vigtige sikkerhedspåbud i forbindelse med de forskellige faser af installeringen, anvendelsen og vedligeholdelsen

Al dokumentationen bør opbevares omhyggeligt i nærheden af apparatet; udlevér den til de fagfolk, der skal foretage indgreb, og dem, der betjener den. **Brugeren har pligt til at læse, forstå og blive bekendt med denne brugsvejledning, før han eller hun påbegynder hvilket som helst arbejde med maskinen.** Apparatet er en professionel opvaskemaskine beregnet til anstalter og institutioner, hvorfor installeringen, anvendelsen og vedligeholdelsen under alle omstændigheder er forbeholdt oplærte medarbejdere, der skal overholde fabrikantens anvisninger. Apparatet skal altid være under opsyn, hvis der er børn i nærheden. Maskinens kvalitet garanteres takket være valget af materialerne, bygningen i henhold til EU-direktiverne på sikkerhedsområdet og en fuldstændig afprøvning. Med maskinen følger udover denne vejledning:

- et eldiagram
- en topografisk oversigt

Fabrikanten frælægger sig ethvert ansvar for person- eller materielle skader, der skyldes tilsidesættelse af de opførte anvisninger eller forkert anvendelse af maskinen.

Kap 2 INSTALLERING

En forudsætning for, at maskinen kan fungere ordentligt, er at den installeres rigtigt. Nogle data vedrørende maskinens installering kan aflæses på specifikationsmærkatet på højre side af maskinen, mens der er en kopi deraf på denne vejlednings forside.



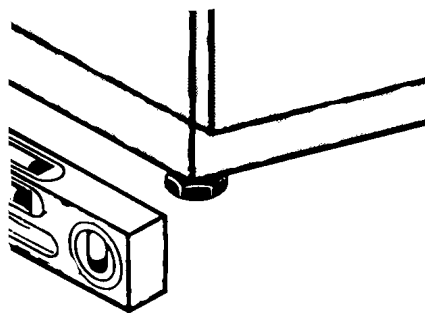
Installeringen må udelukkende foretages af kvalificerede, autoriserede fagfolk.

2.1 Udpakning

Kontrollér venligst, om emballagen er intakt, og nedskriv eventuelle skader på leveringspapirerne. Når man har fjernet emballagen, skal man **forsikre sig om, at apparatet er intakt**; hvis maskinen fremviser skader, skal man omgående give forhandleren og fragtmanden, som har stået for transporten, besked derom, med fax eller anbefalet brev med modtagelsesbevis. Hvis skaderne er så alvorlige, at maskinens sikkerhed sættes på spil, må den ikke installeres og/eller anvendes, før den er blevet undersøgt af en kvalificeret fagmand.



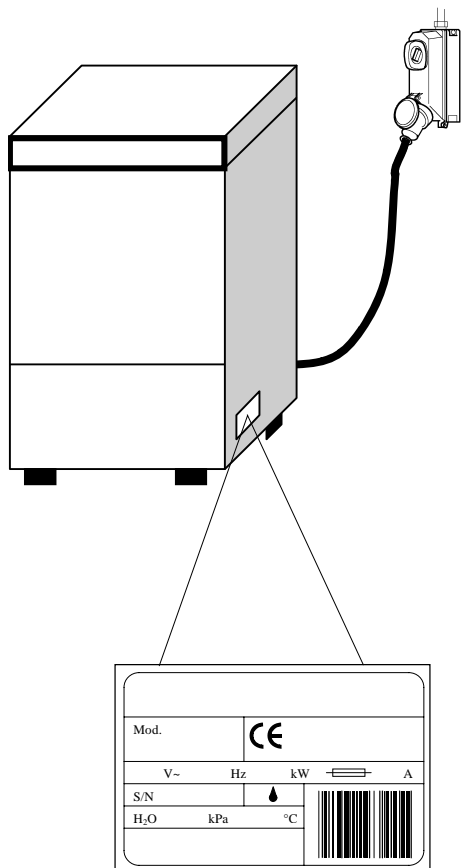
Emballagens bestanddele (plastikposer, ekspansivpolystyren, søm osv.) må ikke efterlades indenfor børns eller husdyrs rækkevidde, da de kan komme til skade.



2.2 Opstilling

- Man skal sørge for, at der på installeringsstedet ikke findes nogen genstande eller materialer, der kan beskadiges af den vanddamp, maskinen udsender under drift, eller at disse er tilstrækkeligt beskyttede.
- For at gøre maskinen helt stabil, skal den installeres og stilles helt lige på de fire støtteben.
- Hvis man ønsker maskinen installeret på anden vis, skal der træffes aftale derom med fabrikanten.

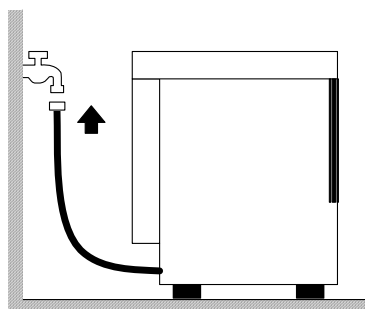
2.3 Tilslutning til elforsyningen



- Der skal være indrettet en retningsuafhængig hovedafbryder, som afbryder samtlige kontakter inklusiv den neutrale, med en afstand på mindst 3 mm mellem de åbne kontakter og automatisk udløsning af sikkerhedsafbryder eller forbundet med sikringer, som skal dimensioneres eller justeres på grundlag af den effekt, der er angivet på maskinens specifikationsmærkat.
- Hovedafbryderen skal befinde sig på elforsyningslinjen, i nærheden af installeringen, og den må ikke anvendes til mere end ét apparat ad gangen.
- Elforsyningens spænding og frekvens skal svare til angivelserne på specifikationsmærkatet.
- Der skal være indrettet en velfungerende jordforbindelse, der opfylder kravene i de gældende normer vedrørende forebyggelse af ulykker, således at brugerens og apparatets sikkerhed ikke sættes på spil.
- Elledningen skal være af typen H07RN-F, og den må hverken strækkes eller klemmes under drift eller i forbindelse med almindelig vedligeholdelse.
- Potentialudligningsklemmen, der er fastgjort til legemet, skal forbindes til en potentialudligningsledning med et passende tværsnit.
- Overhold polariteten angivet i eldiagrammet.
- Der kan indhentes yderligere oplysninger på det vedlagte eldiagram.



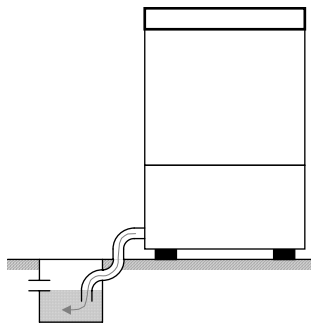
Der må ikke anvendes adaptere, flerdobbelte stik eller ledninger af upassende type eller med forkert tværsnit samt med sammenkoblinger af forlængerledninger, der ikke er i overensstemmelse med de normer, der gælder for lignende anlæg.



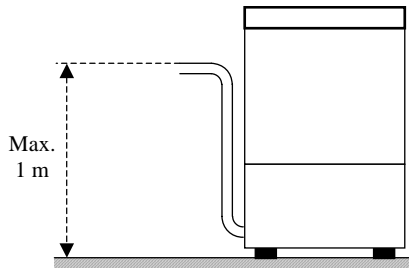
2.4 Tilslutning til vandforsyningen

Apparatet skal tilkobles vandforsyningen ved hjælp af en slange. Mellem vandforsyningen og apparatets magnetventil skal der indrettes en skuffe-, kugle- eller skydespjæld-opfangningsventil, **der er i stand til at lukke helt for vandet på meget kort tid, om nødvendigt**. Opfangningsventilen skal befinde sig på selve forsyningslinjen, lige før apparatet.

- Hvis apparatet er nyt eller kun brugt ganske lidt, skal man lade vandet løbe i lang tid, før man opretter forbindelsen.
- Vandtilførslen, temperaturen og trykket skal passe til angivelserne på maskinens specifikationsmærkat.
- Hvis vandets hårdhedsgrad overstiger 14 F (8 dH), anbefales det at indrette et afhædningsapparat inde i maskinen (kan bestilles). Hvis vandets hårdhedsgrad derimod overstiger 35 F (19,5 dH), anbefales det at installere et udvendigt afhædningsapparat før magnetventilen.



Frit afløb



Med udledningspumpe (kan bestilles)

2.5 Forbindelse til afløbssystemet


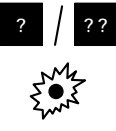
- **Afløbssystemet skal bestå af en fri brønd med vandlås** med mål, der passer til maskinens afløbsrørs kapacitet. Røret skal kunne nå frem til brønden **uden at skulle strækkes, hives, bøjes, klemmes, presses eller overbelastes på nogen vis.**
- Karret tømmes altid ved tyngdekraft, og derfor skal afløbet befinde sig **længere nede end maskinens basis.**
- Hvis afløbet ikke befinder sig længere nede end maskinens basis, kan man anvende den udgave, der er forsynet med en udledningspumpe (kan bestilles).
- I dette tilfælde kan afløbet befinde sig op til 1 m længere oppe.
- Man skal altid undersøge, om afløbet fungerer rigtigt, samt at det ikke er tilstoppet.
- Enhver anden løsning skal aftales med og godkendes af fabrikanten på forhånd.

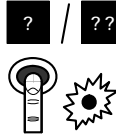
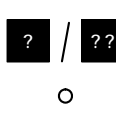
Kap 3 RISICI OG VIGTIGE PÅBUD

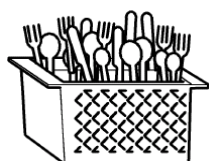
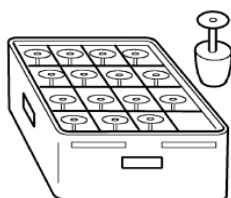
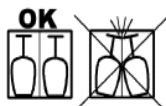
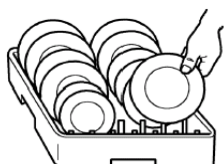
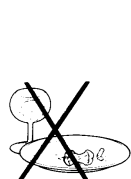
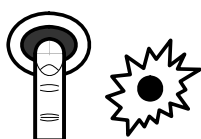
- Dette apparat må kun anvendes til de formål, det er udtrykkeligt beregnet til. Enhver anden anvendelse betragtes som uhensigtsmæssig og således farlig.
- **De faglærte medarbejdere, der foretager installeringen, har pligt til at sætte brugerne ind i betjeningen af apparatet og de sikkerhedsforanstaltninger, der eventuelt skal træffes, blandt andet ved at foretage fremvisninger.**
- Ethvert indgreb på maskinen skal foretages af fabrikanten, et autoriseret servicecenter eller kvalificerede medarbejdere, selv hvis der opstår funktionsforstyrrelser, **og der må kun anvendes originale reservedele.**
- Maskinen skal frakobles eller slutes fra el- og vandforsyningen, før der foretages enhver form for vedligeholdelse, reparationer og rengøring.
- Maskinen må **IKKE** anvendes af medarbejdere, der ikke er blevet oplært.
- Maskinen må **IKKE** blive ved med at være tilkoblet netspændingen, når den ikke anvendes.
- Maskinens dør må **UNDER INGEN OMSTÆNDIGHEDER** åbnes hurtigt, hvis maskinen ikke er færdig med cyklussen.
- Maskinen må **UNDER INGEN OMSTÆNDIGHEDER** anvendes uden de af fabrikanten fastsatte beskyttelsesindretninger.
- Maskinen må **UNDER INGEN OMSTÆNDIGHEDER** anvendes til at vaske genstande, hvis form, mål eller materiale ikke er garanteret egnet til maskinopvask, eller som ikke er fuldstændigt intakte.
- Apparatet eller dele deraf må **UNDER INGEN OMSTÆNDIGHEDER** anvendes som stige eller støtte for mennesker, ting eller dyr.
- Man må **UNDER INGEN OMSTÆNDIGHEDER** overbelaste maskinens åbne dør til påfyldning fortil, som kun kan holde til påfyldningskurven.
- Man må **UNDER INGEN OMSTÆNDIGHEDER** sætte hænderne ned i renevæsken uden handsker.
- Man må **UNDER INGEN OMSTÆNDIGHEDER** vælte maskinen efter den er blevet installeret

Kap 4 BRUG AF MASKINEN

4.1 De anvendte symbolers betydning

	Tryk på tasten, der svarer til et af de viste symboler.
	Signallampen, der svarer til et af de viste symboler, tænder.

	Tryk på tasten, der svarer til et af de viste symboler. Den tilsvarende signallampe tænder.
	Signallampen, der svarer til et af de viste symboler, slukker.



4.2 Tænding

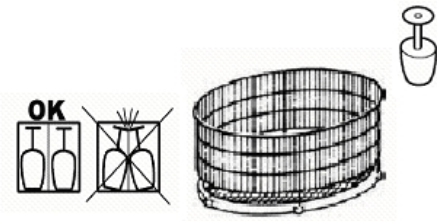
1. Åbn vandtilførselshanen og slå den elektriske hovedafbryder til.
2. Kontroller om overløbsindretningen er tilstede.
3. Tryk på knappen "tænd / sluk", der gengives til venstre. Hvis signallampen forefindes, tænder den.

4.3 Vandpåfyldning og opvarmning

- Når der tændes for maskinen, begynder den automatisk at tage vand ind, hvis karret er tomt.
- Når karret er fyldt, starter opvarmningen. Den tilsvarende signallampe tænder, hvis den forefindes på maskinen.
- Signallampen slukker når kar og kedel opnår de indstillede temperaturer.
- Ventetiden kan afkortes ved at afvikle en cyklus uden at fylde maskinen, 5 – 10 minutter efter tænding.

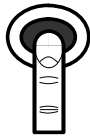
4.4 Vaskecyklus

- Kontroller at afspændings- og opvaskemiddel forefindes. Oplysninger om produkttypen, der kan anvendes, og dosering (automatisk eller manuelt) findes i kapitlet "Regulering og kontroller".
- Der skal anvendes en egnet kurv, der skal fyldes uden at den overfyldes eller at servicet placeres ovenpå hinanden. **Servicet skal altid skylles, før det sættes i maskinen;** sæt aldrig service med indtørrede eller besværlige madrester i maskinen.
- Placer de tomme fade omvendt i kurven. Sæt tallerkner og lignende i de relevante hældende kurve således at den indvendige overflade vender opad. Placer det blandede bestik i den relevante kurv, så grebene vender nedad.
- **Vask udelukkende service, der kan tåle at komme i opvaskemaskinen.**
- Det anbefales at vaske servicet umiddelbart efter brug for at undgå, at snavset bliver hårdt og sætter sig fast på servicet.

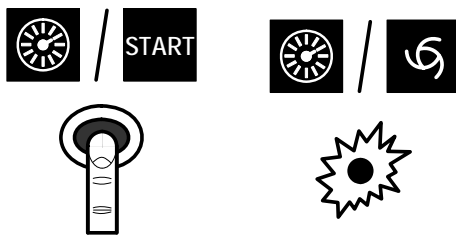
**Til modeller med roterende kurv:**

- Om muligt skal denne cyklus foretages med fyldt kurv med en ensartet fordeling af servicet.
- Placér let service i midten af kurven og tungere service i yderkanten.
- Placér smalt service i midten af kurven og bredere ting i yderkanten.

- Skub kurven ind i maskinen og luk lågen.
- **Til modeller med roterende kurv skal man kontrollere, at kurven drejer frit ved at give den et let skub i retning med uret, og derefter lukke lågen, og sætte cyklussen i gang.**
- Med henblik på at undgå at servicet går i stykker, må der kun sættes intakt service, der kan tåle maskinopvask, i opvaskemaskinen.
- Undlad at anbringe sølvbestik og bestik af rustfrit stål i samme bestikkurv. Ellers kan sølvbestikket blive brunligt og det rustfrie stål angribes af rust.

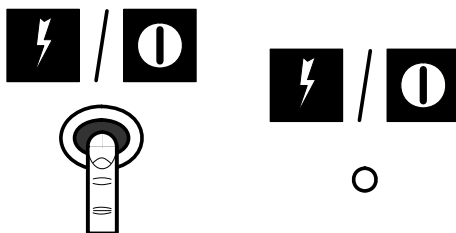


På maskiner med forskellige vasketidsrumsindstillinger, skal man vælge det vasketidsrum der egner sig til servicet ved hjælp af vælgeknappen "tidsrumsmarkering", der gengives til venstre.



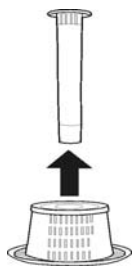
- Tryk på knappen "start / cyklusigangsætning", for at sætte cyklussen i gang.
- På maskiner med den tilsvarende "cyklus-signallampe", tændes den for at signalere at vaskecyklussen er under afvikling.
- Efter vaskefasen går skylle- og udpumpningsfaserne automatisk i gang og cyklussen standser. Når cyklussen er færdig, slukker signallampen.

- Hvis lågen åbnes ved et uheld, under cyklusafviklingen, vil maskinen automatisk standse op. Det er tilstrækkeligt at lukke lågen igen, for at opvasken genoptages.
- Med henblik på at afvikle en hurtig tørring, kan man trække kurven ud af maskinen, så snart cyklussen er fuldført.
- **Hvis vaskeresultatet ikke er tilfredsstillende eller hvis der konstateres snavs i karrets filter, skal den ordinære vedligeholdelse udføres, som anvist i kapitlet "Vedligeholdelse".**
- **For at afvikle de efterfølgende cyklusser, skal man gentage de handlinger, der beskrives i afsnittet "Vaskecyklus".**



4.5 Slukning af maskinen

Tryk på tasten "tænd / sluk", som anvist til venstre. Den tilsvarende signallampe tænder, hvis den forefindes på maskinen.



4.6 Tømning af maskinen

4.6.1 Maskiner uden udledningspumpe

1. Sluk for maskinen, som anvist i ovenstående afsnit "Slukning af maskinen".
2. Træk overløbsindretningen ud: afvent at karret er fuldstændigt tomt.

4.6.2 Maskiner med udledningspumpe

1. Sluk for maskinen, som anvist i ovenstående afsnit "Slukning af maskinen".
2. Træk overløbsindretningen ud og luk lågen.
3. Tryk på knappen "udledningspumpe", som vist ved siden af, for at tømme maskinen.
4. På maskiner uden knappen "udledningspumpe", slukkes maskinen, som anvist i afsnittet "Slukning af maskinen".
5. Træk overløbsindretningen ud og luk lågen.
6. Tryk på knappen "cyklusstart/igangsætning", som vist ved siden af, for at tømme maskinen.

- Når karret er fuldstændigt tomt, skal maskinen rengøres som anvist i kapitlet "Vedligeholdelse".
- Sluk altid for maskinen hver gang overløbsindretningen tages ud.

4.7 Regenerering af harpiks

Hvis maskinen er udstyret med et internt afhærdningsapparat (disponibel på forespørgsel), skal der afvikles en regenerering af udvekslingsharpiksen med jævne mellemrum, for at afhærdningsapparatet kan fungere korrekt. Antallet af cyklusser, mellem to regenereringer, skal fastlægges på baggrund af vandets hårdhedsgrad, i henhold til følgende tabel.

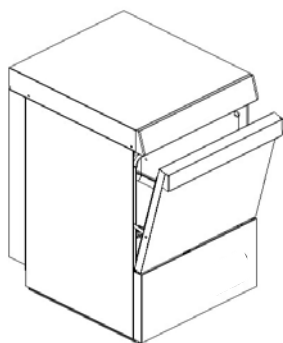
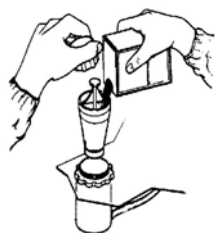
dH	F	Antal cyklusser
6,0	10	153
6,5	11	147
7,0	12	140
7,5	13	133
8,0	14	127
8,5	15	120
9,0	16	113

dH	F	Antal cyklusser
9,5	17	107
10,0	18	100
10,5	19	93
11,0	20	87
12,0	21	83
12,5	22	80
13,0	23	77

dH	F	Antal cyklusser
13,5	24	73
14,0	25	70
14,5	26	67
15,0	27	63
15,5	28	60
16,0	29	57
17,0	30	53

dH	F	Antal cyklusser
17,5	31	52
18,0	32	50
18,5	33	48
19,0	34	47
19,5	35	43

- Det anbefales at udføre regenereringen under en arbejds pause.
- Sluk for maskinen, som anvist i afsnittet "Slukning af maskinen".
- Tøm maskinen, som anvist i afsnittet "Tømning af maskinen".
- Rengør maskinen, som anvist i kapitlet "Vedligeholdelse". Åbn vandtilførselshanen og slå den elektriske hovedafbryder til igen, når rengøringen er fuldført.



- Sørg for at overløbsindretningen er blevet fjernet.
- Åbn saltbeholderen inden i karret.
- Hæld cirka 250 g opvaskesalt i beholderen (køkkensalt uden tilsætningsmidler, hvis korn har en diameter på 1 til 2 millimeter).
- Skru beholderens låg stramt på igen.
- Luk lågen

- Tryk på knappen "cyklusstart / igangsætning", indtil den tilsvarende "cyklus-kontrollampe" tænder, **uden at tænde for maskinen.**

- Regenereringscyklussen starter og fortsætter i cirka 20 minutter.

- Når cyklussens kontrollampe slukker er regenereringen fuldført.

Efter afsluttet regenereringscyklus, med tomt kar og uden overløbsindretning, anbefales det at:

- tænde for maskinen, ved at trykke på tasten "tænd / sluk", som anvist til venstre
- lade vandet løbe i cirka 1 minut, således at saltrester i karret elimineres.
- Sluk maskinen med tasten tænd / sluk og sæt overløbsindretningen i igen.

Maskinen er klar til at få fyldt service i igen.

4.8 Driftsafslutning

- Sidst på dagen bør man altid tømme opvaskemaskinen som beskrevet under "Tømning af maskinen".
- **Afbryd strømmen på hovedafbryderen, og luk for vandet på hovedhanen.**
- Foretag almindelig vedligeholdelse, og rengør maskinen som beskrevet under "Vedligeholdelse".
- Om muligt skal man lade lågen stå på klem for at undgå dannelse af dårlig lugt i maskinen.

Kap 5 VEDLIGEHOELDELSE



Inden der udføres en hvilken som helst form for vedligeholdelsesindgreb, skal maskinen tømmes for alt indhold, som anvist i afsnittet "Tømning af maskinen", elforsyningen skal afbrydes med den eksterne hovedafbryder og den eksterne vandtilførselsventil skal lukkes.

5.1 Rengøring og hygiejne

For at sikre maskinens hygiejne skal man jævnligt foretage de almindelige (daglige), ugentlige og årlige vedligeholdelsesindgreb angivet i det følgende. Sørg desuden for at foretage en regelmæssig hygiejniserings med passende ikke-korroderende produkter, der fås i almindelig handel.

5.2 Almindelig vedligeholdelse (daglig)

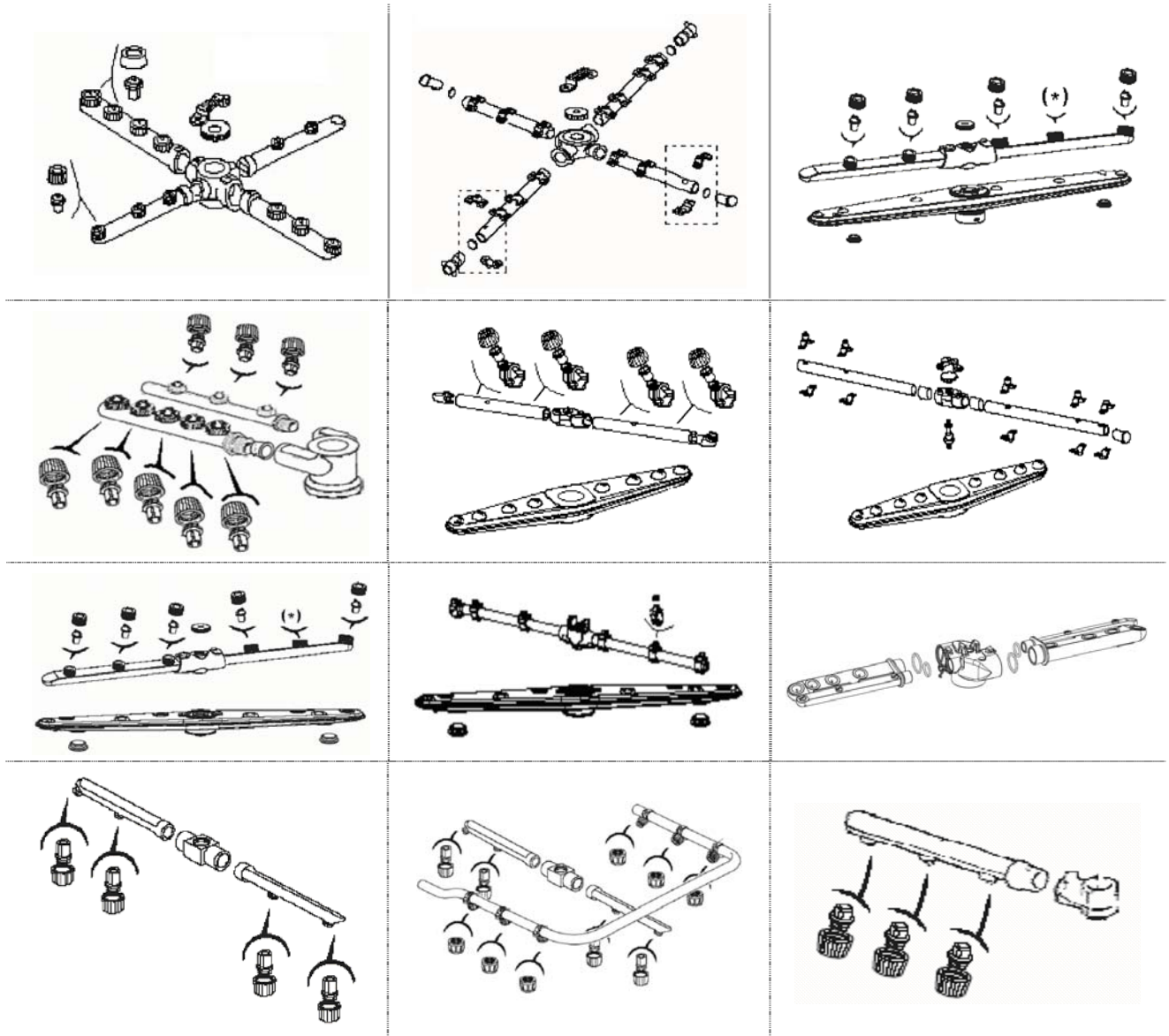
- Hvis der konstateres rester af snavs i karrets filter.

- Tag kurvene, den eventuelle overløbsindretning samt filter ud og rengør.
- Anvend aldrig slibende produkter eller skarpe genstande til rengøring af stålkarret; anvend derimod en klud, fugtet i en mild sæbeopløsning.
- Anvend aldrig vandstråler under tryk, da de kan forårsage skader på det elektriske anlæg.

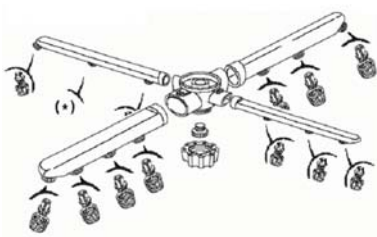
5.3 Ugentlig vedligeholdelse

- Foretag den almindelige vedligeholdelse.
- Fjern og rengør arme og dyser til vask og skyl.

I det følgende vises de mulige konfigurationer af de øverste og nederste vaskearme/skyllearme.



(*) Lukket. Der er ingen dyse.



- Rengør armenes drejemekanismer og området omkring udløbet af vask- og skyllevandet.
- Rengør omhyggeligt kar og maskine med ikke-skurende desinfektionsmidler.
- Genmonter dyser, arme og filtre korrekt, og vær opmærksom på hældninger og på armenes indsættelse i deres respektive lejer.

5.4 Årlig vedligeholdelse

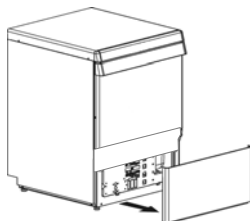
Lad en specialiseret fagmand kontrollere maskinen omhyggeligt. Det er især vigtigt at:

- Aflejninger i karret fjernes.
- Spule- og vaskearmene samt dyserne afmonteres og rengøres grundigt.
- **Rense deleindretningen i den underste vaskearms stamme og vandafløbsområdet omhyggeligt.**
- Montere deleindretningen, tappen og spule- og vaskearmene korrekt igen.
- Kontrollere om pakningerne er i god stand og om de andre komponenter, så som pumper, doseringsanordninger, osv., er slidte.
- Kontrollere afspændings- og opvaskemiddeldoseringsanordningernes regulering.
- Efterse, og eventuelt rengøre, modstandene

Hvis maskinen ikke skal benyttes gennem en længere periode, er det påkrævet at klargøre den på passende vis. Hvis man, når man skal tænde maskinen, har mistanke om at der er is i den, må apparatet ikke anvendes, før en kvalificeret fagmand har udført en inspektion af kedel og rør.

Kap 6 REGULERINGER OG KONTROLLER

De følgende regulerings- og kontrolhandlinger må udelukkende udføres af kvalificeret og autoriseret personale, og de skal udvise den størst mulige forsigtighed og omhu og træffe alle de nødvendige foranstaltninger, hvis der er behov for at slå maskinens sikkerhedsanordninger fra.



6.1 Doseringsanordninger

Inden **justeringen** påbegyndes, skal doseringsapparatet eller doseringsapparaterne og forsyningsledningerne være fyldte. Justeringen afvikles ved hjælp af de relevante reguleringsskruer, hvortil der opnås adgang efter afmontering af frontpanelet under karrets låge.





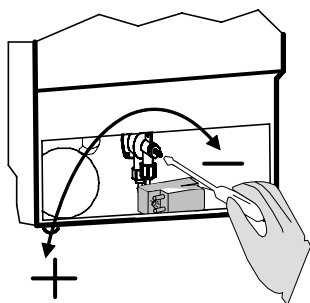
- **Garantien dækker ikke skader, forårsaget af fejlagtig brug af doseringsapparatet eller apparaterne eller i tilfælde af forkert, manuel dosering.**
- **Det rette valg og korrekt dosering af opvaskemiddel og afspændingsmiddel er en forudsætning for at opnå et tilfredsstillende vaskeresultat og for at sikre apparatet en lang levetid. Anvend udelukkende flydende, skumhæmmende opvaskemiddel til industribrug.**
- **Reguleringerne skal afvikles med opvarmet maskine og et veldoseret produkt.**



6.1.1 Afspændingsmidlets doseringsanordning

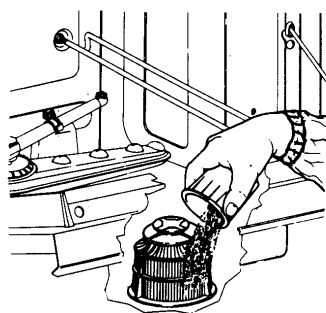
Beholderens afspændingsmiddelniveau skal være tilstrækkeligt; beholderen må under ingen omstændigheder tømmes helt og afspændingsmidlet må aldrig opspædes med ætsende eller urene produkter. Tænd maskinen, sæt cyklussen i gang, afvent cirka 20

sekunder og tryk på knappen "tænd / sluk"  /  8-10 gange, med et interval på cirka 10 sekunder, for at fylde forsyningsledningen og doseringsapparatet. Hold knappen trykket, for at afslutte vaskecyklussen.



- Hvis reguleringsskruen drejes med uret, formindskes den tilsatte mængde afspændingsmiddel, mens mængden øges, hvis den drejes imod uret.
- Hvad angår den produktmængde, der skal anvendes ved den første justering, henvises der til doseringen, der angives af det valgte produkts leverandør.
- Reguleringen skal finindstilles idet skyllerresultaterne vurderes efter mindst tre cyklusser, således at resultatet stabiliseres.

- Hvis servicet bliver stribet og der forekommer skum i vaskeopløsningen, anvendes der for meget afspændingsmiddel. Hvis der derimod opstår dråbeforekomster og servicet tørrer temmelig langsomt, anvendes der for lidt afspændingsmiddel.
- Anvend udelukkende afspændingsmidler hvis anbefalede dosering ikke overstiger 1,5 gram pr. liter.
- 7,9 cm ledning = 1 ml. produkt (= 1 g produkt med en densitet svarende til 1 kg/dm³). Den anvendte mængde skyllevand er cirka 3 liter/cyklus.
- Modifier aldrig højdeforskellen mellem tanken og maskinens base efter at doseringen er blevet indstillet.
- Hvis højdeforskellen mellem tanken og maskinens base overstiger 80 cm, vil doseringsapparatet muligvis ikke fungere korrekt.
- Hvis der ikke anvendes afspændingsmiddel, skal reguleringskruen til doseringsenheden lukkes helt.

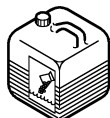


6.1.2 Apparat uden opvaskemiddeldoseringsanordning

Manuel dosering frarådes, idet den ikke kan sikre samme optimale resultater som en automatisk doseringsanordning. Hvis man ikke anvender en automatisk doseringsanordning, skal opvaskemidlet anbringes i pumpens aspirationsfilterområde hver 5. cyklus, i henhold til fabrikantens anbefalede dosering. Jævnfør de tekniske data, med henblik på at kende den vandmængde karret indeholder, hvorimod vandmængden der anvendes til skylleprogrammet svarer til cirka 3 liter. Tilsæt dosisen til den vandmængde karret indeholder og de efterfølgende 5 skylninger ved hver påfyldning. Ved de efterfølgende doseringer, tilsættes kun det nødvendige opvaskemiddel til skylningerne.

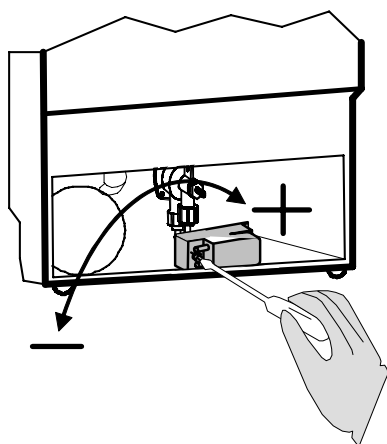


Det anbefales altid at installere en automatisk opvaskemiddeldoseringsanordning.



6.1.3 Apparat med opvaskemiddeldoseringsanordning (disponibel på forespørgsel)

Beholderens opvaskemiddelniveau skal være tilstrækkeligt; beholderen må under ingen omstændigheder tømmes helt og opvaskemidlet må aldrig opspædes med ætsende eller urene produkter. Forsyningsledningen fyldes ved blot at tænde for maskinen og afvikle den første påfyldning med tilsluttet doseringsanordning.



- Hvis reguleringskruen drejes mod uret, formindskes den tilsatte mængde opvaskemiddel, mens mængden øges, hvis den drejes med uret (fra 1 ÷ 1,5 ml pr. afmærkning, der svarer til cirka 1,2 ÷ 1,8 g produkt, ved en densitet svarende til 1,2 kg/dm³). Kontroller maskinens tekniske data, for at kende den vandmængde karret indeholder.
- Hvad angår den produktmængde, der skal anvendes ved den første justering, henvises der til doseringen, der angives af det valgte produkts leverandør.
- Reguleringen skal finindstilles idet skylleresultaterne vurderes efter mindst tre cyklusser, således at resultatet stabiliseres.

- **Karret må ikke indeholde skum ved en cyklusafslutning.**
- Hvis der forekommer skum, skal man først og fremmest kontrollere den anvendte type opvaskemiddel og eventuelt udskifte denne med et bedre egnet middel. Hvis der fortsat dannes skum, skal man kontrollere at vandets temperatur i karret er korrekt og eventuelt reducere opvaskemiddeldoseringen, indtil skumdannelsen fuldstændigt forsvinder.

- Med de medfølgende doseringsanordninger, må der udelukkende anvendes opvaskemiddel hvis anbefalede dosering ikke overstiger 5 gram pr. liter.
-

Kap 7 AFINSTALLERING



Afinstalleringen må udelukkende foretages af teknikere med den fornødne viden og autorisation.

- **Frakobl maskinen netforsyningen ved hjælp af den eksterne hovedafbryder.**
 - **Luk for den eksterne vandhane.**
 - **Kobl maskinen fuldstændigt fra el- og vandforsyningen.**
 - Tøm, rens og klargør alle de interne hydrauliske kredsløb, doseringsanordningerne, pumperne og kedlen.
 - Tøm doseringsenhederne til opvaskemiddel og afspændingsmiddel og de påmonterede rør, og sørg for at bortskaffe både opvaskemiddel og afspændingsmiddel korrekt (kontakt leverandøren af de anvendte produkter).
-

Kap 8 BORTSKAFFELSE

Vores maskiner indeholder ingen materialer, som kræver særlige bortskaffelsesprocedurer.

8.1 Korrekt affaldsbortskaffes af dette produkt

(elektrisk & elektronisk udstyr)



Mærket på dette produkt medfølgende dokumentation betyder. At produktet ikke må bortskaffes sammen med elmindeligt husholdningsaffald efter endt levetid. For at undgå skadelige miljø- eller sundhedspåvirkninger på grund af ukontrolleret affaldsbortskaffelse skal dette produkt bortskaffes særskilt fra andet affald og indleveres behørigt til fremme for bæredygtig materiale genvinding.

Hjemmebrugere bedes kontakte forhandleren, hvor de har købt produktet, eller den lokale myndighed for oplysning om, hvor og hvordan de kan indlevere produktet med henblik på miljøforsvarlig genvinding.

Erhvervsbrugere bedes kontakte leverandøren og læse betingelserne og vilkårene i købekontrakten. Dette produkt bør ikke bortskaffes sammen med andet erhvervsaffald.

INNEHÅLLSFÖRTECKNING

KAP 1	FÖRORD	2
KAP 2	INSTALLATION.....	2
2.1	UPPACKNING	2
2.2	UPPSTÄLLNING	2
2.3	ELEKTRISK ANSLUTNING	3
2.4	HYDRAULISK ANSLUTNING	3
2.5	ANSLUTNING TILL AVLOPPET	4
KAP 3	RISKER OCH VARNINGAR.....	4
KAP 4	HUR MASKINEN SKALL ANVÄNDAS.....	5
4.1	SYMBOLERNAS BETYDELSER	5
4.2	PÅSLAGNING	5
4.3	FYLLNING OCH UPPVÄRMNING	5
4.4	DISKPROGRAM.....	5
4.5	ATT STÅNGA AV MASKINEN	6
4.6	ATT TÖMMA MASKINEN	7
4.6.1	<i>Maskiner utan tömningspump</i>	<i>7</i>
4.6.2	<i>Maskiner med tömningspump</i>	<i>7</i>
4.7	ATT ANVÄNDA SALT	7
4.8	EFTER AVSLUTAT PROGRAM	8
KAP 5	UNDERHÅLL.....	8
5.1	RENGÖRING OCH HYGIEN	8
5.2	ORDINARIE UNDERHÅLL (DAGLIGT UNDERHÅLL)	9
5.3	UNDERHÅLL VARJE VECKA.....	9
5.4	UNDERHÅLL VARJE ÅR.....	10
KAP 6	REGLERING OCH KONTROLLER.....	10
6.1	DOSERINGSBEHÅLLARE.....	10
6.1.1	<i>Doseringsbehållare för glansmedel.....</i>	<i>10</i>
6.1.2	<i>Diskmaskin utan doseringsbehållare för diskmedel</i>	<i>11</i>
6.1.3	<i>Diskmaskin med doseringsbehållare för diskmedel (kan beställas).....</i>	<i>11</i>
KAP 7	ATT KOPPLA UR MASKINEN.....	12
KAP 8	AVFALLSHANTERING	12
8.1	KOREKT AVFALLSHANTERING AV PRODUKTEN.....	12

Tillverkaren förbehåller sig, i enlighet med gällande lagar, rätten till detta dokument och förbjuder alla former av återgivning och spridning utan skriftligt tillstånd.

Tillverkaren förbehåller sig rätten att utföra eventuella ändringar för att utföra de förbättringar som anses nödvändiga utan att meddela detta på förhand.

Om anvisningarna i den bifogade dokumentationen inte följs kan detta leda till skador på maskinen samt att garantin omedelbart upphör att gälla.



Varningarna i denna manual ger viktiga informationer beträffande säkerheten under de olika faserna för installation, användning och underhåll.

Bevara hela dokumentationen noggrant i närheten av maskinen och överlämna den till teknikerna och de ansvariga för dess användning. **Operatören måste läsa igenom och förstå denna manual innan någon form av ingrepp eller arbete görs på maskinen.** Maskinen har tillverkats för att användas som diskmaskin vid professionellt bruk och därför skall installation, användning och underhåll endast göras av fackpersonal och i enlighet med tillverkarens anvisningar. Låt inte barn komma i närheten av maskinen. Valet av material och tillverkningen har gjorts i enlighet med EU-säkerhetsdirektiven och detta tillsammans med en genomgående testkörning garanterar maskinens kvalitet. Förutom denna manual finns följande i maskinen:

- elektrisk schema
- en detaljerad översikt

Tillverkaren avsäger sig allt ansvar för eventuella skador på saker och personer som uppstår på grund av att instruktionerna inte följs eller på grund av ett felaktigt bruk av maskinen.

Kap 2 INSTALLATION

En korrekt installation är nödvändigt för att maskinen skall fungera bra. En del av de informationer som behövs för att installera maskinen kan ses på den märkplåt som sitter på maskinens högra sida samt på omslaget till denna manual.



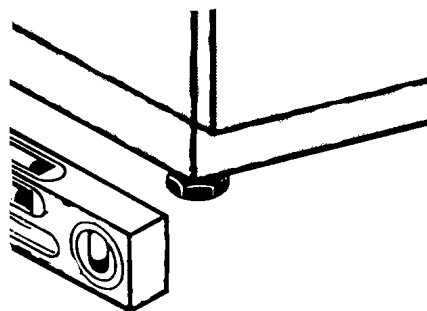
Installationen får endast göras av behöriga och auktoriserade tekniker.

2.1 Uppackning

Kontrollera att emballaget är helt och notera eventuella fel på följesedeln. Efter att emballaget har avlägsnats skall man **kontrollera att maskinen är hel**; om maskinen har skadats skall man omedelbart kontakta återförsäljaren via fax eller rekommenderat brev och även det transportföretag som utfört leveransen. Om skadorna är så allvarliga att maskinens säkerhet äventyras skall den inte installeras och/eller användas innan en kvalificerad tekniker har kontrollerat den.



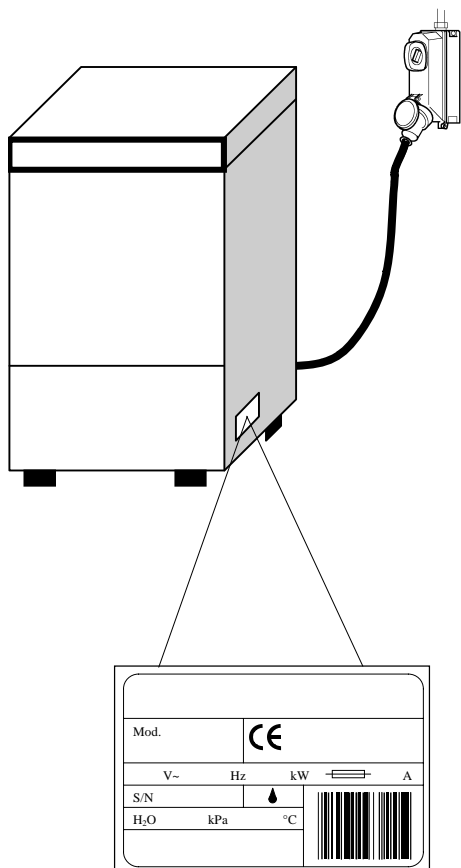
Emballagedelarna (plastpåsar, polystyren, spikar, etc. ...) skall inte lämnas inom räckhåll för barn eller djur eftersom de kan utgöra en fara.



2.2 Uppställning

- Kontrollera att det på installationsplatsen inte finns några föremål eller material, eller att dessa är ordentligt skyddade, som kan skadas av den vattenånga som kan komma från maskinen då den är i funktion.
- För att garantera att maskinen är stabil skall den installeras och upplinjeras på de fyra stödfötterna.
- Annan typ av installation måste först diskuteras med och godkännas av tillverkaren.

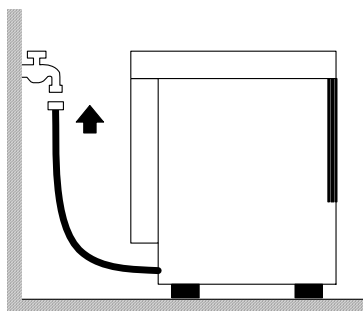
2.3 Elektrisk anslutning



- Det måste finnas en flerpolelig huvudströmbrytare som avbryter alla kontakter inklusive nolledaren, med ett avstånd mellan de öppna kontakterna på minst 3 mm och med termomagnetisk säkerhetsutlösning eller anslutning till säkringar, som skall dimensioneras eller kalibreras i enlighet med den effekt som anges på maskinens märkplåt.
- Huvudströmbrytaren skall finnas på den elektriska ledning som är i närheten av installationsplatsen och skall endast användas för en maskin åt gången.
- Spänningen och frekvensen i strömnätet skall vara de samma som de som anges på maskinens märkplåt.
- Det skall också finnas ett väl fungerande jordsystem, i enlighet med gällande normer, till säkerhet för operatören och maskinen.
- Strömmatarkabeln, som endast får vara av typ H07RN-F, får inte sträckas eller klämmas under den normala funktionen eller under det normala underhållsarbetet.
- Ekvipentialklämman som sitter i stommen skall anslutas till en ekvipential kabel med ett snitt som är lämpligt för användningen.
- **Följ anvisningarna om plus- och minuspol i kopplingschemat**
- För ytterligare informationer se det bifogade elektriska schemat.



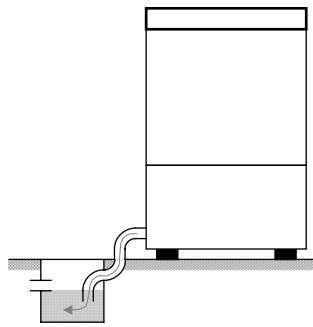
Använd inte adaptorer, multipeluttag, kablar av felaktig typ och snitt eller förlängningskavlar som inte uppfyller kraven i gällande normer beträffande elektriska anslutningar.



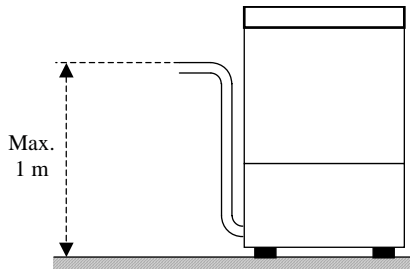
2.4 Hydraulisk anslutning

Maskinen skall anslutas till vattennätet med en flexibel slang. Mellan vattennätet och maskinens magnetventil skall det finnas en spärrventil - spolventil, kulventil eller med galler – **som snabbt kan stänga av vattnet helt och hållet vid behov**. Spärrventilen skall vara placerad på vattenledningen i närheten och alldeles innan maskinen.

- Om systemet är nytt eller om det har använts lite skall man låta vattnet rinna en stund innan anslutningen görs.
- Vattentillförseln, temperaturen och trycket **måste överensstämma** med det som anges på maskinens märkplåt.
- Om vattnets hårdhet överskrider 14 F (8 dH) rekommenderar vi att man använder maskinen med en inre vattenavhårdare (kan levereras på begäran). Om vattnets hårdhet överskrider 35 F (19,5 dH) rekommenderar vi att man installerar en yttre vattenavhårdare före magnetventilen.



Fri tömning



Tömning med pump (kan levereras på begäran)

2.5 Anslutning till avloppet





- **Avloppet skall utgöras av en fri avloppsbrunn med vattenlås** i lämplig storlek i förhållande till den tömnings slang som levereras tillsammans med maskinen. Slangen skall nå fram till brunnen **utan att sträckas, dras, vikas, klämmas eller forceras på något sätt.**
- Maskinen töms med hjälp av tyngdkraften, det är därför viktigt att avloppet befinner sig på en **nivå som är lägre än maskinens underrede.**
- Om avloppet inte befinner sig på en lägre nivå än maskinens underrede är det möjligt att använda den version som är utrustad med en tömningspump (kan levereras på begäran).
- I detta fall är maxhöjden på avloppet 1 meter.
- Kontrollera alltid att avloppet fungerar korrekt och att det inte är tilltäppt.
- Alla andra lösningar måste först diskuteras med och godkännas av tillverkaren.





Kap 3 RISKER OCH VARNINGAR

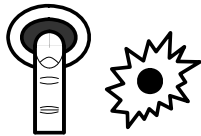
- Denna maskin får endast användas för det bruk den uttryckligen har tillverkats för. Alla andra former av användning räknas som felaktiga och därför farliga.
- **Den specialiserade personal som utför installationen skall visa användaren hur maskinen fungerar samt de eventuella säkerhetsåtgärder som skall iakttas, även med praktiska exempel.**
- Alla ingrepp på maskinen, även om den har gått sönder, får endast utföras av tillverkaren eller av ett auktoriserat servicecentrum och då av auktoriserad personal och genom att **endast använda originalreservdelar.**
- Koppla alltid ur och isolera maskinen från de elektriska och hydrauliska anslutningarna innan någon form av underhåll, reparation eller rengöring görs.
- Maskinen får **INTE** användas av personal utan lämplig utbildning.
- Maskinen får **INTE** vara ansluten till elnätet då den inte är i funktion.
- Öppna **ALDRIG** luckan till maskinen hastigt om den inte är färdig.
- Använd **ALDRIG** maskinen utan de skydd som iordningställts av tillverkaren.
- Använd **ALDRIG** maskinen för att diska föremål som p.g.a. typ, form, storlek eller material inte skall diskas i maskin eller föremål som inte är i helt oskadat skick.
- Använd **ALDRIG** maskinen eller dess delar som trappa eller stöd för personer, saker eller djur.
- Överbelasta **ALDRIG** den öppna luckan på maskiner som lastas framifrån, denna är endast tillverkad för att bära upp en korg som är lastad med disk.
- Stoppa **ALDRIG** oskyddade händer i tvättvattnet.
- Vänd **ALDRIG** upp och ned på maskinen efter att den har installerats.

Kap 4 HUR MASKINEN SKALL ANVÄNDAS

4.1 Symbolernas betydelser

	Tryck på knappen som hör till en av de indikerade symbolerna.
	
	Kontrolllampan som hör till en av de indikerade symbolerna tänds.
	

	Tryck på knappen som hör till en av de indikerade symbolerna. Den tillhörande kontrolllampan tänds.
	
	Kontrolllampan som hör till en av de indikerade symbolerna släcks.
	



4.2 Påslagning

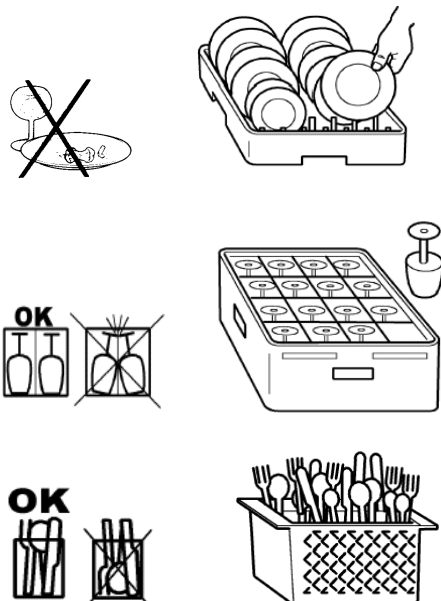
1. Öppna kranen till vattennätet och slå på huvudströmbrytaren
2. Kontrollera att överströmningsslangen finns.
3. Tryck på knappen för "påslagning / avstängning" som visas här intill. Den tillhörande kontrolllampan, då denna finns, tänds nu.



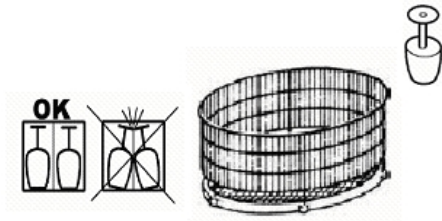
4.3 Fyllning och uppvärmning

- Om tanken är tom börjar maskinen att fyllas automatiskt när den slås på.
- När tanken är full startas uppvärmningen. På de maskiner som är utrustade med en kontrollampa för uppvärmning tänds denna.
- När tanken och boilern har uppnått den inställda värmen släcks denna kontrollampa.
- För att minska väntetiden är det möjligt att köra ett tomgångsprogram 5 – 10 minuter efter påslagningen.

4.4 Diskprogram



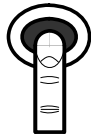
- Kontrollera att det finns diskmedel och glansmedel. Information om de produkter som bör användas och om doseringen (automatiskt eller manuellt) finns i kapitlet "Reglering och kontroller".
- Använd en lämplig korg och fyll den utan att överbelasta den och utan att lägga det som skall diskas på varandra. **Skölj alltid av disken först**; sätt ingen disk med torra eller blöta rester i diskmaskinen.
- Placera de tomma kärlen upp och ned i korgen. Sätt i tallrikarna i den vinklade korgen med den inre sidan uppåt. Sätt i besticken i bestickkorgen med handtagen nedåt.
- **Diska endast sådana föremål som tål den här typen av maskindisk.**
- Diskgodset bör diskas direkt efter användningen så att smutsen inte gror in och hårdnar på själva diskgodset.



Maskinversioner med roterande korg:

- Vänta om möjligt med att köra programmet tills diskkorgen är full och fördela diskgodset jämnt i korgen.
- Placera lättare diskgoods mitt i korgen och tyngre gods vid korgens ytterkanter.
- Placera smalare diskgoods mitt i korgen och vidare och mer skrymmande gods vid korgens ytterkanter.

- Sätt in korgen i diskmaskinen och stäng luckan.
- **På maskinversioner med roterande diskorg måste man kontrollera att diskkorgen snurrar obehindrat. Ge korgen en lätt skjuts medsols, stäng sedan luckan och starta programmet.**
- För att undvika att disken går sönder diska endast hela föremål som är avsedda att diskas i maskin.
- Placera inte bestick av silver och rostfritt stål i samma bestickkorg. Silverbesticken riskerar då att färgas och de i rostfritt stål att fläckas.



På de maskiner där denna funktion finns skall man ställa in den önskade disktiden med hjälp av strömbrytaren "tidsinställning" som visas här intill.



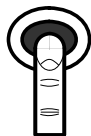
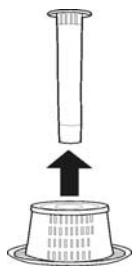
- För att starta programmet tryck på knappen för "start / start diskprogram" som visas intill.
- På de maskiner som är utrustade med en "programkontrollampa" tänds denna för att ange att diskprogrammet är i funktion.
- Efter diskfasen startas sköljningen automatiskt. Därefter töms maskinen och programmet avslutas. Efter avslutat program släcks kontrollampan.

- Om luckan skulle öppnas oavsiktligt under programmets gång stoppas maskinen automatiskt. För att fortsätta diskprogrammet där det avbrutits räcker det att stänga luckan.
- För en snabbtorkning av disken skall man ta ut korgen ur maskinen så fort programmet har avslutats.
- **Om diskvattnet är alltför smutsigt eller om man upptäcker smuts på filtret i tanken skall man utföra det ordinarie underhåll som beskrivs i kapitlet "Underhåll".**
- För att köra andra diskprogram, utför de instruktioner som omtalas i paragrafen "Diskprogram" på nytt.



4.5 Att stänga av maskinen

Tryck på knappen för "påslagning / avstängning" på det sätt som visas intill. På de maskiner som är utrustade med en kontrollampa för avstängning tänds denna.



4.6 Att tömma maskinen

4.6.1 Maskiner utan tömningspump

1. Stäng av maskinen på det sätt som anges i den ovanstående paragrafen "Att stänga av maskinen".
2. Ta ut överströmningsslangen: invänta att tanken har tömts helt och hållet.

4.6.2 Maskiner med tömningspump

1. Stäng av maskinen på det sätt som anges i den ovanstående paragrafen "Att stänga av maskinen".
2. Ta ut överströmningsslangen och stäng luckan.
3. Tryck på knappen "tömningspump" som visas här intill för tömning.
4. På de maskiner som inte är utrustade med knappen "tömningspump" skall man stänga av maskinen på det sätt som anges i paragrafen "Att stänga av maskinen".
5. Ta ut överströmningsslangen och stäng luckan.
6. Tryck på knappen "start / start program" som visas här intill för tömning.

- När tanken är helt tom skall man rengöra maskinen på det sätt som beskrivs i kapitel "Underhåll".
- Stäng av maskinen varje gång överströmningsslangen tas ut.

4.7 Att använda salt

Om maskinen är utrustad med en inre vattenavhårdare (som kan beställas), skall man med jämna mellanrum regenerera saltet för att återställa vattenavhårdarens korrekta funktion. Antalet körda program, mellan två regenereringsprogram, skall fastställas på basis av vattnets hårdhet i enlighet med nedanstående tabell.

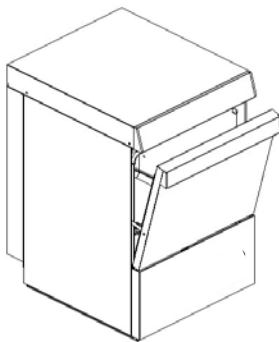
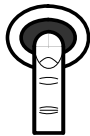
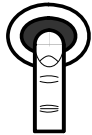
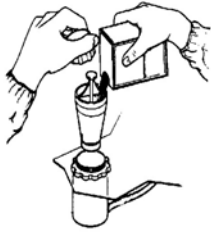
dH	F	N° Cicli
6,0	10	153
6,5	11	147
7,0	12	140
7,5	13	133
8,0	14	127
8,5	15	120
9,0	16	113

dH	F	N° Cicli
9,5	17	107
10,0	18	100
10,5	19	93
11,0	20	87
12,0	21	83
12,5	22	80
13,0	23	77

dH	F	N° Cicli
13,5	24	73
14,0	25	70
14,5	26	67
15,0	27	63
15,5	28	60
16,0	29	57
17,0	30	53

dH	F	N° Cicli
17,5	31	52
18,0	32	50
18,5	33	48
19,0	34	47
19,5	35	43

- Vi rekommenderar att man kör regenereringsprogrammen under arbetspauserna.
- Stäng av maskinen på det sätt som anges i paragrafen "Att stänga av maskinen".
- Töm maskinen på det sätt som anges i paragrafen "Att tömma maskinen".
- Rengör maskinen på det sätt som beskrivs i kapitel "Underhåll". Efter avslutad rengöring skall man öppna kranen till vattennätet och slå på huvudströmbrytaren.



- Kontrollera att överströmningsslangen har tagits ur.
- Öppna förpackningen med salt inuti tanken.
- Häll cirka 250g regenererings salt i behållaren (kökssalt utan tillsatser i korn på 1 eller 2 mm i diameter).
- Stäng behållaren ordentligt.
- Stäng luckan.

- Tryck på knappen "start / start program", **utan att slå på maskinen**, tills kontrollampen för "program" tänds.
- Regenereringsprogrammet startas och håller på i cirka 20 minuter.

- När kontrollampen släcks är programmet klart.

Efter avslutat regenereringsprogram, och med tom tank och ingen överströmningsslang, rekommenderar vi att följande görs:

- slå på maskinen genom att trycka på knappen för "påslagning / avstängning" som visas här intill
- låt vattnet rinna i cirka 1 minut för att på så sätt avlägsna saltresterna i tanken
- Stäng av maskinen genom att trycka på knappen för "påslagning / avstängning" och sätt tillbaka överströmningsslangen.

Maskinen är nu klar för att användas på nytt.

4.8 Efter avslutat program

- Töm alltid maskinen enligt anvisningarna i avsnittet "Tömma maskinen" vid arbetsdagens slut.
- **Slå av strömmen med huvudströmbrytaren och stäng den externa vattenkranen.**
- Gör det ordinarie underhållet och rengör maskinen enligt beskrivningen i avsnittet "Underhåll".
- Lämna om möjligt luckan på glänt för att undvika att det uppstår dålig lukt inuti maskinen.

Kap 5 UNDERHÅLL



Innan man gör någon typ av underhållsarbete skall man tömma maskinen helt och hållet, på det sätt som beskrivs i paragrafen "Att tömma maskinen", slå ifrån maskinens strömtillförsel genom att trycka på den yttre huvudströmbrytaren och stäng av den yttre vattenkranen.

5.1 Rengöring och hygien

För att maskinens hygien skall kunna garanteras måste det **ordinarie (dagliga) underhållet och vecko- och månadsunderhållet** som specificeras nedan göras regelbundet. Gör dessutom en regelbunden behandling med hygieniseringsprodukter av lämplig typ. Använd produkter utan slipverkan som kan köpas i handeln.

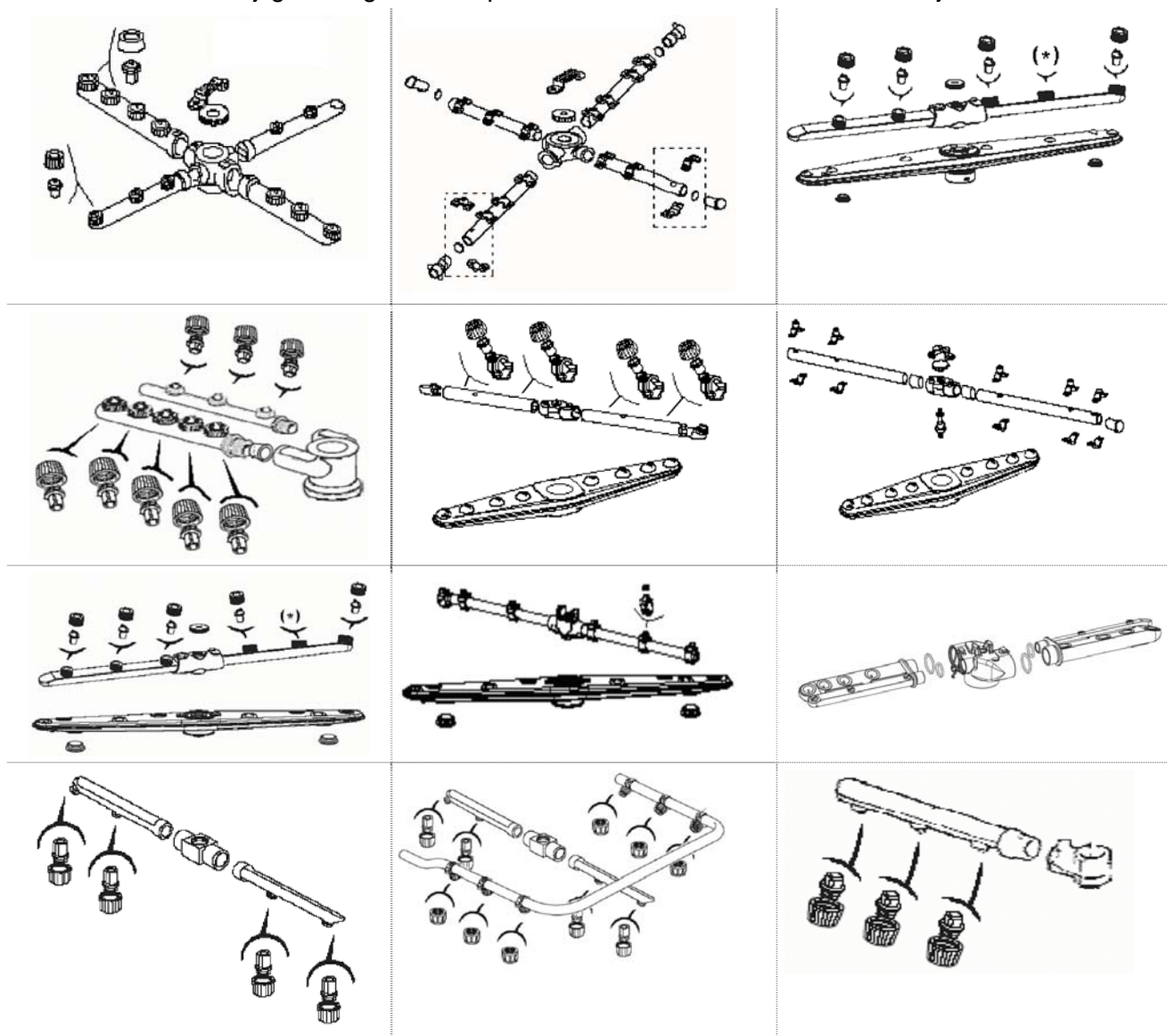
5.2 Ordinarie underhåll (dagligt underhåll)

- När man upptäcker smuts på filtret i tanken.
- Ta ut och rengör korgarna, överströmningsslangen och filtret.
- För att rengöra tanken som är gjord i stål skall man inte använda produkter eller föremål som kan ge upphov till repor, använd en trasa som blötts i en mild tvållösning.
- Använd inte en kraftig vattenstråle eftersom detta skulle kunna ge upphov till skador på det elektriska systemet.

5.3 Underhåll varje vecka

- Gör det ordinarie underhållet.
- Ta loss och rengör disk- och sköljarmarna och munstyckena.

Nedan illustreras möjliga konfigurationer på de övre och de nedre disk- och sköljarmarna.



(*) Sprutanordningen stängd. Inget munstycke.

- Rengör rotationsstiften till disk- och sköljarmarna och området där disk- och sköljvattnet kommer ut.
- Rengör diskrummet och maskinen noggrant med desinficerande, icke slipande produkter.
- Sätt tillbaka munstyckena, disk- och sköljarmarna och filter på korrekt sätt. Se till att disk- och sköljarmarna får rätt lutning och att de kopplas in i respektive säte.

5.4 Underhåll varje år

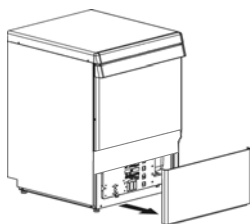
Låt en specialiserad tekniker kontrollera maskinen. Framför allt:

- Avlägsning av beläggningar i tanken.
- Nedmontering och rengöring av stänger och disk- och sköljmunstycken.
- **Rengör noga slutaren som sitter inne i den nedre diskstångens stativ och området där vattnet rinner ut.**
- Montera på slutaren, stiftet och disk- och sköljstängerna igen.
- Kontrollera att tätningspackningarna befinner sig i ett gott skick samt om slitage uppstått på andra komponenter som pumpar, doseringsbehållare, etc.
- Kontrollera regleringen på doseringsbehållarna för diskmedel och glansmedel.
- Kontrollera och rengör eventuellt resistenserna

Om maskinen skall förbli överksam i längre perioder skall den förberedas på ett lämpligt sätt. Om man när maskinen slås på igen misstänker att det finns is inuti skall den inte användas innan en kvalificerad tekniker har inspekterat boilern och rören.

Kap 6 REGLERING OCH KONTROLLER

Följande regleringar och kontroller får endast göras av kvalificerad och auktoriserad personal och då med största noggrannhet och uppmärksamhet. Största försiktighet skall iakttas om maskinens säkerhetsanordningar behöver kopplas ur.



6.1 Doseringsbehållare

Innan **regleringen** görs skall man fylla doseringsbehållaren eller doseringsbehållarna och matarrören. Regleringen görs med hjälp av de inställningsskruvar som finns bakom frontpanelen under tanken.





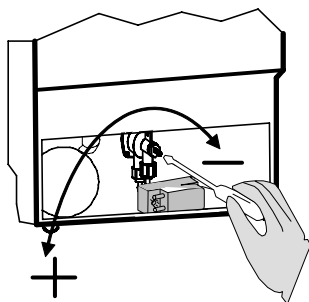
- **Garantin gäller inte för de fel som uppstår på grund av att doseringsbehållaren/behållarna har använts på ett felaktigt sätt, eller vid en felaktig manuell dosering.**
- **Valet och doseringen av diskmedlet och glansmedlet är av största vikt för resultatet och för maskinens livslängd. Använd endast flytande produkter med lågskumproduktion för industridisk.**
- **Regleringarna skall göras när maskinen är uppvärmd och med en väldoserad produkt.**



6.1.1 Doseringsbehållare för glansmedel

Nivån i doseringsbehållaren för glansmedel skall alltid befinna sig på en lagom nivå, den får aldrig sjunka ned till botten eller fyllas på med felaktiga produkter. För att fylla på matarröret och doseringsbehållaren skall man sätta på maskinen, starta diskprogrammet,

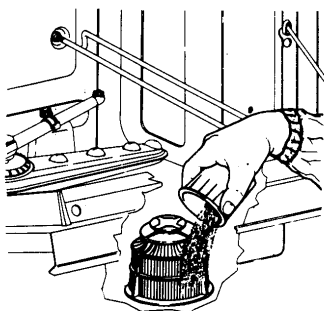
vänta i cirka 20 sekunder och sedan trycka på knappen "påslagning / avstängning"  /  8-10 gånger med en intervall på cirka 10 sekunder. Håll kvar knappen intryckt så att diskprogrammet avslutas.



- Om man vrider inställningsskruven medsols minskas mängden glansmedel och om man vrider den motsols ökas mängden.
- Beträffande rätt mängd för den första regleringen, se de doseringsanvisningar som anges på produktens förpackning.
- Regleringen skall justeras när man har kontrollerat sköljresultatet efter minst tre körda program, detta för att kunna göra en rätt bedömning.

- Ränder på disken och skum i vattnet innebär att för mycket glansmedel har använts. Disk som är täckt med vattendroppar och som torkar långsamt visar att för lite glansmedel har använts.
- För ett optimalt resultat använd endast glansmedel för vilka tillverkaren rekommenderar en dosering på mindre än 1,5 gr/liter.
- 7,9 cm rör = 1 ml. produkt (= 1 gr produkt med en densitet på 1 kg/dm³). Vattnet som används till sköljningen är cirka 3 liter/program.
- Ändra inte skillnaden i höjd mellan dunken och maskinens underdel efter att doseringsinställningen har gjorts.
- Om skillnaden i höjd mellan dunken och maskinens underdel är större än 80 cm kan inte doseringsbehållaren fungera korrekt.
- Om inget sköljmedel används skall doserarens justeringsskruv skruvas åt så långt det går.

6.1.2 Diskmaskin utan doseringsbehållare för diskmedel



En manuell dosering är inte att rekommendera eftersom den inte ger samma optimala resultat som en automatisk doseringsbehållare. Om man trots detta inte använder en automatisk doseringsbehållare skall man placera diskmedlet i närheten av pumputsugningsfiltret, detta skall göras efter vart 5:e program och i den mängd som rekommenderas av tillverkaren. Se den tekniska informationen beträffande den mängd vatten som tanken rymmer medan den mängd vatten som används till sköljning beräknas till cirka 3 liter. Vid varje fyllning skall man hälla i den dos som behövs för det vatten som finns i tanken och för de 5 efterföljande sköljningarna. För de följande doserna skall man endast fylla på det diskmedel som behövs för sköljningarna.

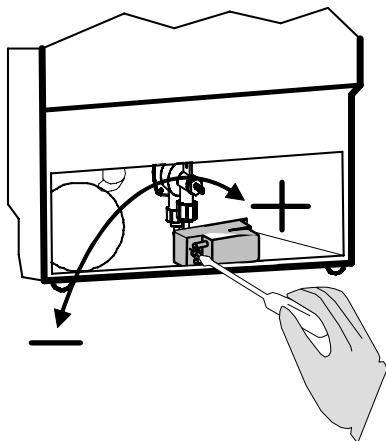


Vi rekommenderar att man alltid installerar en automatisk doseringsbehållare för diskmedel.



6.1.3 Diskmaskin med doseringsbehållare för diskmedel (kan beställas)

Nivån i doseringsbehållaren för diskmedel skall alltid befinna sig på en lagom nivå, den får aldrig sjunka ned till botten eller fyllas på med felaktiga produkter. För att fylla på matarröret räcker det att sätta på maskinen och fylla den med doseringsbehållaren ansluten.



- Om man vrider inställningsskruven motsols minskas mängden diskmedel och om man vrider den medsols ökas mängden (från 1 ÷ 1,5 ml för sköljning för varje rad som motsvarar cirka 1,2 ÷ 1,8 gr produkt med en densitet på 1,2 kg/dm³). Kontrollera den tekniska informationen beträffande mängden vatten i tanken.
- Beträffande rätt mängd för den första regleringen, se de doseringsanvisningar som anges på produktens förpackning.
- Regleringen skall justeras när man har kontrollerat diskresultatet efter minst tre körda program, detta för att kunna göra en rätt bedömning.

- **Det skall inte finnas något skum efter att programmet har avslutats.**
- Om det finns skum skall man först och främst kontrollera den typ av diskmedel som används och eventuellt byta ut det till en lämpligare sort. Om man fortsätter att hitta skum skall man kontrollera att temperaturen på vattnet i tanken är det rätta och eventuellt minska doseringen av diskmedel tills skummet försvinner.
- Med de doseringsbehållare som ingår i utrustningen skall man endast använda diskmedel för vilka tillverkaren rekommenderar en dosering på mindre än 5 gr/liter.

Kap 7 ATT KOPPLA UR MASKINEN



Urkopplingen av maskinen får endast göras av kvalificerade och auktoriserade tekniker.

- Koppla ifrån strömtillförseln till maskinen genom att stänga av den yttre huvudströmbrytaren.
- Stäng av den yttre kranen för vattentillförseln.
- Koppla alltid ur maskinen helt och hållet från de elektriska och hydrauliska anslutningarna.
- Töm, rengör och förbered alla de inre hydraulkretsarna, doseringsbehållarna, pumparna och boilern
- Töm diskmedels- och sköljmedelsbehållarna och slangarna som är anslutna till dessa fullständigt. Tänk på att diskmedel och sköljmedel måste kasseras på korrekt sätt (kontakta leverantörerna till de använda produkterna).

Kap 8 AVFALLSHANTERING

På våra maskiner finns inget material som måste avfallshanteras i särskild ordning.

8.1 Korekt avfallshantering av produkten
(elektriska och elektroniska produkter)

Denna märkning på produkten och i manualen anger att den inte bör sorteras tillsammans med annat hushållsavfall när dess livstid är över. Till förebyggande av skada på miljö och hälsa produkten hanteras för ändamålsenlig återvinning av dess beståndsdelar.

Hushållsanvändare bör kontakta den återförsäljare som sålt produkten eller sin kommun för vidare information om var och hur produkten kan återvinnas på ett miljösäkert sätt.

Företagsanvändare bör kontakta leverantören samt verifiera angivna villkor i köpekontraktet. Produkten bör inte hanteras tillsammans med annat kommersiellt avfall.

SISÄLLYSLUETTELO

LUKU 1	JOHDANTO	2
LUKU 2	AENNUS	2
2.1	PAKKAUKSESTA POISTAMINEN	2
2.2	PAIKALLEEN ASETTAMINEN	2
2.3	SÄHKÖLIITÄNTÄ.....	3
2.4	VESILIITÄNTÄ	3
2.5	POISTOLIITÄNTÄ.....	4
LUKU 3	RISKEJÄ JA TÄRKEITÄ VAROITUKSIA	4
LUKU 4	KONEEN KÄYTTÖ	5
4.1	KÄYTETTYJEN SYMBOLIEN MERKITYKSET.....	5
4.2	KÄYNNISTYS	5
4.3	TÄYTTÖ JA VEDEN LÄMMITYS	5
4.4	PESUJAKSO	5
4.5	KONEEN SAMMUTTAMINEN.....	6
4.6	KONEEN TYHJENNYS	6
4.6.1	<i>Koneet, joissa ei ole poistopumppua</i>	6
4.6.2	<i>Koneet, joissa on poistopumppu</i>	7
4.7	VEDENPEHMENNYSSUOLAN LISÄÄMINEN	7
4.8	KUN ET KÄYTÄ KONETTA.....	8
LUKU 5	HUOLTO	8
5.1	PUHTAUS JA HYGIENIA.....	8
5.2	TAVALLINEN HUOLTO (PÄIVITTÄINEN).....	8
5.3	VIIKOITTAINEN HUOLTO.....	9
5.4	VUOSITTAINEN HUOLTO	9
LUKU 6	SÄÄDÖT JA TARKASTUKSET	10
6.1	ANNOSTELIJAT	10
6.1.1	<i>Huuhtelukirkasteaineen annostelija</i>	10
6.1.2	<i>Laite, jossa ei ole pesuaineen annostelijaa</i>	11
6.1.3	<i>Laite, jossa on pesuaineen annostelija (pyynnöstä saatavana)</i>	11
LUKU 7	AENNUKSEN PURKU	11
LUKU 8	KONEEN HÄVITTÄMINEN	12
8.1	TÄMÄN TUOTTEEN TURVALLINENE HÄVITTÄMINEN	12

Laitteen valmistaja varaa itselleen tämän julkaisun oikeudet. Julkaisun kopioiminen ja levittäminen missään muodossa on kiellettyä ilman valmistajan kirjallista lupaa.

Laitteen valmistaja varaa itselleen oikeuden tehdä ilman ennakkovaroitusta välttämättömiksi katsomiansa parannuksia.

Luku 1 JOHDANTO

Oheiseen aineistoon sisältyvien ohjeiden noudattamatta jättäminen voi vaarantaa laitteen turvallisuuden ja johtaa takuun välittömään raukeamiseen.



Tässä oppaassa annetut ohjeet ja varoitukset antavat tärkeää tietoa turvallisuudesta koneen asennuksen, käytön ja huollon eri vaiheissa.

Säilytä kaikki laitteen mukana toimitetut asiakirjat huolellisesti laitteen läheisyydessä. Anna ne nähtäväksi asentajalle, huoltomiehelle ja konetta käyttäville henkilöille. **Koneen käyttäjä on velvollinen lukemaan, ymmärtämään ja opettelemaan tähän oppaaseen sisältyvät ohjeet ennen koneen käyttöä.** Tämä laite on tarkoitettu ammattimaiseen astianpesuun laitoksissa ym. Laitteen asennus, käyttö ja huolto on ehdottomasti annettava pätevien, tehtävänsä koulutettujen henkilöiden tehtäväksi, ja näissä tehtävissä on noudatettava laitteen valmistajan ohjeita. Ei lasten ulottuville. Tämän koneen laadun takaavat sen rakennuksessa käytetyt ensiluokkaiset materiaalit, EY:n turvallisuusdirektiivien noudattaminen sekä perinpohjainen tuotetestaus. Tämän oppaan lisäksi koneeseen kuuluu:

- sähkökaavio
- yleispiirros

Valmistaja ei ole vastuussa henkilö- tai esinevahingoista, jotka johtuvat annettujen ohjeiden noudattamatta jättämisestä tai koneen epäasianmukaisesta käytöstä.

Luku 2 ASENNUS

Koneen virheettömän toiminnan kannalta on ratkaisevan tärkeää, että se on asennettu oikein. Osa koneen asennukseen tarvittavista tiedoista käy ilmi koneen oikeaan kylkeen kiinnitetystä arvokilvestä. Samat tiedot löytyvät myös tämän oppaan kannesta.



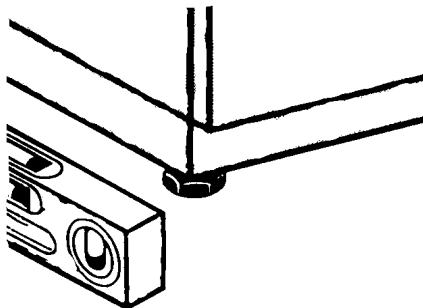
Asennuksen saa tehdä ainoastaan pätevä, valtuutettu huoltomies.

2.1 Pakkauksesta poistaminen

Tarkasta, että pakkaus on ehjä. Jos havaitset vaurioita pakkauksessa, kirjaa ne lähetysluetteloon. Kun olet poistanut pakkauksen, **varmista että laite on ehjä**. Jos kone on vaurioitunut, ilmoita asiasta heti jälleenmyyjälle ja kuljetuksesta huolehtineelle yritykselle faksilla tai saantitodistuskirjeellä. Jos vauriot ovat luonteeltaan sellaisia, että ne voivat vaarantaa koneen turvallisuuden, älä asenna äläkä käytä konetta ennen kuin pätevä teknikko on korjannut sen.

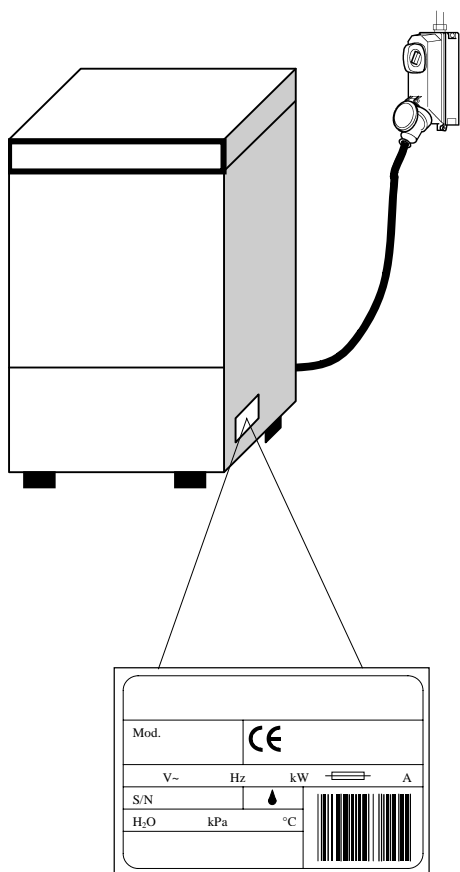


Pakkausmateriaaleja (muovipusseja, vaahtomuovia, nauloja yms ...) ei saa jättää lasten eikä kotieläinten ulottuville: ne voivat aiheuttaa vaaratilanteita.



2.2 Paikalleen asettaminen

- Koneesta voi sen toimiessa purkautua vesihöyryä. Tarkasta ettei alueella, jolle kone asennetaan, ole tavaroita eikä materiaaleja, jotka saattavat vaurioitua vesihöyrystä, tai että tällaiset tavarat ja materiaalit on riittävän hyvin suojattu.
- Asenna kone säätöjalkojen (4 kpl) päälle ja säädä sitä niistä, niin että se on vakaa.
- Muunlaisista asennusratkaisuista on sovittava koneen rakentajan kanssa, joka hyväksyy muutokset.

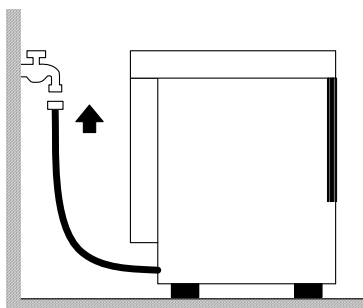


2.3 Sähköliitäntä

- Laitetta varten on asennettava tyypiltään kaikkinaipainen pääkytkin, joka katkaisee kaikki vaiheet ja nollajohtimen. Koskettimien avausvälin on oltava vähintään 3 mm, ja kytkimessä on oltava oikosulku- ja ylikuormitussuoja. Myös sulakkeet voivat toimia oikosulkusuojana. Kytkin tulee mitoittaa tai säätää koneen arvokilvessä ilmoitettujen merkintöjen mukaiseksi.
- Pääkytkimen tulee olla lähellä asennettavaa laitetta. Jokaisella laitteella on oltava oma pääkytkin.
- Sähköverkon jännitteen ja taajuuden tulee vastata arvokilvessä ilmoitettuja.
- Laitteen ja sen käyttäjän turvallisuuden takaamiseksi sähköliitännän tulee olla asianmukaisesti maadoitettu voimassa olevien turvallisuusmääräysten mukaisesti.
- Sähköjohdon tulee ehdottomasti olla tyypiltään H07RN-F. Normaalityönnön tai perushuollon aikana se ei saa olla kireällä eikä puristuksissa.
- Laitteen runkoon kiinnitetty potentiaalintasausliitin on liitettävä potentiaalintasausjohtimeen, jonka poikkipinta on laitteelle riittävä.
- **Noudata sähkökaaviossa näkyviä polariteettejä.**
- Lisätietoja saat liitteenä olevasta sähkökaaviosta.



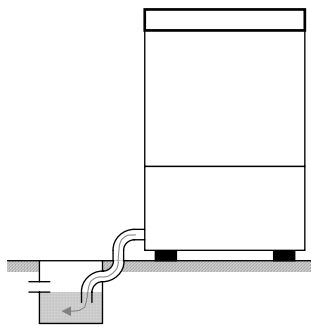
Älä käytä väliliittimiä, moniosaisia pistorasioita, tyypiltään tai poikkipinnaltaan sopimattomia johtoja äläkä jatkojohtoja, jotka eivät ole voimassa olevien määräysten mukaisia.



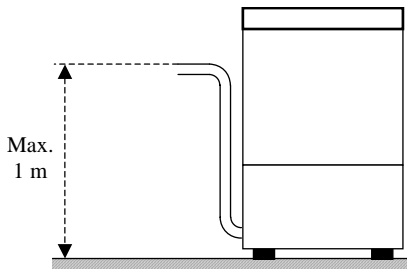
2.4 Vesiliitäntä

Laite liitetään vesijohtoverkoston taipuisalla letkulla. Vesijohtoverkon ja laitteen magneettiventtiilin välillä on oltava on-ei-luistiventtiili, palloventtiili tai levyluistiventtiili, **joka pystyy tarvittaessa nopeasti sulkemaan veden tulon kokonaan**. Venttiilin tulee olla letkussa välittömästi laitteen edellä.

- Jos vesijohtoputkisto on uusi tai sitä on käytetty vähän, anna veden juosta pitkään ennen liitännän tekoa.
- Veden syötön, lämpötilan ja paineen **tulee ehdottomasti vastata** koneen teknisten tietojen kilvessä ilmoitettuja arvoja.
- Jos veden kovuus ylittää 8 dH (14 F), suosittelemme, että käytätte koneessa koneen sisäistä vedenpehmentintä (saatavana pyydettäessä). Jos veden kovuus ylittää 19,5 dH (35 F), suosittelemme, että asennatte koneeseen ulkoisen vedenpehmentimen magneettiventtiilin edelle.



Vapaa tyhjennys



Poistopumppu (pyynnöstä saatavana)

2.5 Poistoliitäntä





- **Poistokanavassa tulee olla esteetön hajulukko,** joka kokonsa puolesta sopii yhteen koneen mukana toimitetun poistoputken kapasiteetin kanssa. Putken täytyy ylettyä hajulukkoon siten, **ettei se ole kireällä, taipuneena eikä puristuksissa eikä mikään paina tai väännä sitä.**
- Hajulukko tyhjenee painovoiman vaikutuksesta: sen vuoksi poistoputken täytyy laskea **koneen pohjaa alemmalle tasolle.**
- Mikäli veden poisto koneen pohjaa alemmaksi on mahdotonta, voidaan käyttää poistopumpulla varustettua mallia (pyynnöstä saatavana).
- Siinä tapauksessa suurin mahdollinen poistokorkeus on yksi metri (1 m).
- Tarkista aina, että poistojärjestelmä toimii oikein ja ettei se ole tukossa.
- Muunlaisista asennusratkaisuista on ennalta sovittava koneen rakentajan kanssa, joka hyväksyy muutokset.





Luku 3 RISKEJÄ JA TÄRKEITÄ VAROITUKSIA

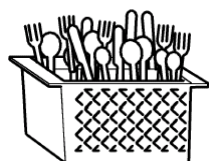
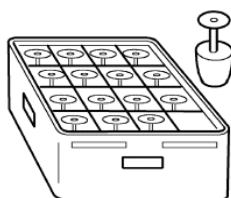
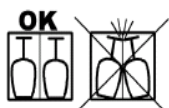
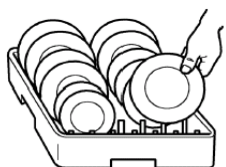
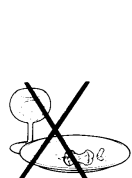
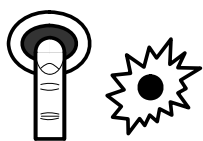
- Tätä laitetta saa käyttää ainoastaan siihen tarkoitukseen, johon se on nimenomaisesti suunniteltu. Kaikki muu käyttö katsotaan epäasianmukaiseksi ja siten vaaralliseksi.
- **Koneen asennuksesta huolehtivan ammattimiehen on opastettava käyttäjää koneen toimintaan liittyvissä asioissa ja annettava tietoa (myös havainnollisesti esittämällä) mahdollisista turvatoimenpiteistä, joita on syytä noudattaa.**
- Koneeseen ei saa vikatilanteessa eikä muulloin tehdä mitään toimenpiteitä kukaan muu kuin koneen valmistanut yritys tai sen valtuuttamat huoltoyksiköt. Huoltohenkilöiden on oltava tehtävään päteviä ja työssä on käytettävä **yksinomaan alkuperäisiä varaosia.**
- Ennen koneen huoltoa, korjausta ja puhdistusta kone on irrotettava tai eristettävä aina sähkö- ja vesiverkosta.
- Koneita **EIVÄT** saa käyttää tehtävään kouluttamattomat henkilöt.
- Koneeseen **EI** saa jättää virtaa päälle, kun sitä ei käytetä.
- Älä **KOSKAAN** avaa äkkiä koneen luukkuja, kun pesujakso ei ole päättynyt.
- Älä **KOSKAAN** käytä konetta ilman valmistajan siihen tuottamia turvajärjestelmiä.
- Älä **KOSKAAN** käytä konetta sellaisten esineiden pesuun, joiden konepesu ei esineen tyyppin, muodon, koon tai materiaalin puolesta ole välttämättä sallittua. Älä pese koneessa astioita, jotka eivät ole täysin ehjiä.
- Älä **KOSKAAN** käytä laitetta tai sen osia askelmana tai alustana tavaroille, ihmisille tai eläimille.
- Älä **KOSKAAN** kuormita auki olevaa luukkuja edestä täytettävissä koneissa: se on suunniteltu kestävänsä vain astiakorin painon.
- Älä **KOSKAAN** upota paljaita käsiäsi pesuliukseen.
- Älä **KOSKAAN** käännä konetta ylösalaisin asennuksen jälkeen.

Luku 4 KONEEN KÄYTTÖ

4.1 Käytettyjen symbolien merkitykset

	Paina näppäintä, joka vastaa yhtä ilmoitetuista symboleista.
	
	Merkkivalo, joka vastaa yhtä ilmoitetuista symboleista, syttyy.
	

	Paina näppäintä, joka vastaa yhtä ilmoitetuista symboleista. Vastaava merkkivalo syttyy.
	
	Merkkivalo, joka vastaa yhtä ilmoitetuista symboleista, sammuu.
	



4.2 Käynnistys

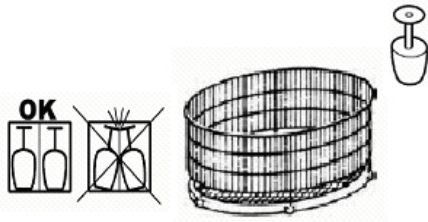
1. Avaa vesihana ja kytke sähkövirran pääkatkaisija päälle.
2. Tarkista, että koneessa on ylivuotosuoja.
3. Paina viereisessä kuvassa esitettyä käynnistys/sammutuspainiketta. Jos koneessa on tätä vastaava merkkivalo, se syttyy.

4.3 Täyttö ja veden lämmitys

- Jos vesiallas on tyhjä, kone alkaa täyttyä automaattisesti, kun se käynnistetään.
- Kun kone on täynnä vettä, alkaa veden lämmitys. Niissä koneissa, joissa on tätä vastaava merkkivalo, se syttyy.
- Kun vesialtaassa ja vedenlämmittimessä oleva vesi saavuttaa asetetun lämpötilan, merkkivalo sammuu.
- Odotusaikaa voi lyhentää suorittamalla koneella tyhjän jakson 5 - 10 minuuttia ennen käynnistystä.

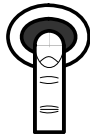
4.4 Pesujakso

- Tarkasta, että koneessa on pesu- ja kirkasteainetta. Käytettävistä tuotteista ja niiden annostelusta (automaatti- tai manuaaliannostelu) löytyy tietoa luvusta "Säädöt ja tarkastukset".
- Käytä sopivaa koria. Älä täytä koria liian täyteen äläkä aseta astioita päälletysten. **Astiat on aina huuhdeltava ennen koneeseen panoa.** Älä pane koneeseen astioita, joissa on kuivuneita tai kiinteitä ruuantähteitä.
- Aseta tyhjät lasit yms. koriin ylösalaisin. Aseta lautaset ja vastaavat koriin vinosti, niin että niiden sisäpinta on käännettynä ylöspäin. Aseta ruokailuvälineet omaan koriinsa niin, että niiden kädensija on käännettynä alaspäin.
- **Pese koneella ainoastaan siihen sopivia astioita.**
- On suositeltavaa pestä astiat heti käytön jälkeen. Näin vältetään lian kuivuminen ja tarttuminen astioihin.

**Mallit, joissa on pyörivä kori:**

- Käynnistä jakso aina kori on täytenä, jos mahdollista. Jaa astiat koriin tasaisesti.
- Sijoita kevyet astiat korin keskiosaan ja painavammat reunoille.
- Sijoita kapeat astiat korin keskiosaan ja leveämmät reunoille.

- Aseta kori koneeseen ja sulje luukku.
- **Pyörivällä korilla varustetuissa malleissa** on tarkistettava, että kori pyörii esteettä. Se tehdään työntämällä koria kevyesti myötäpäivään, sulkemalla luukku ja käynnistämällä jakso.
- Astioiden särkyminen estämiseksi käytä ainoastaan ehjiä ja konepesun kestäviä astioita.
- Älä pane hopeisia ruokailuvälineitä samaan koriin ruostumattomasta teräksestä valmistettujen ruokailuvälineiden kanssa. Tämä aiheuttaisi hopean tummumista ja todennäköisiä korroosioreaktioita teräksessä.



Jos koneessa on useita eri pituisia pesuohjelmia, valitse astioille sopiva pesuaika "ajan valinta" -katkaisimesta (ks. viereinen kuva).



- Käynnistä jakso painamalla start-painiketta (ks. viereinen kuva).
- Jos koneessa on jakson merkkivalo, se syttyy sen merkiksi, että pesujakso on käynnissä.
- Pesujakson jälkeen käynnistyvät automaattisesti huuhtelu- ja tyhjennysjaksot, joiden jälkeen jakso päättyy. Jakson loppuksi merkkivalo sammuu.

- Jos koneen luukku pesujakson aikana vahingossa avataan, kone pysähtyy automaattisesti. Ohjelma jatkuu siitä mihin se jäi, kun luukku suljetaan.
- Jotta astiat kuivuisivat mahdollisimman nopeasti, kannattaa astiakori pesujakson lopussa vetää heti ulos.
- Jos pesuliuos on hyvin likaista tai kun huomaat koneen pohjassa olevassa suodattimessa ruuantähteitä ym. likaa, suorita perushuolto luvussa "**Huolto**" kuvatulla tavalla.
- Jos haluat suorittaa peräkkäisiä pesujaksoja, toista kappaleessa "**Pesujakso**" kuvatut toimenpiteet uudestaan.



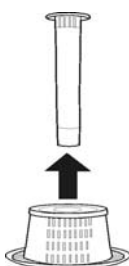
4.5 Koneen sammuttaminen

Paina käynnistys/sammutusnäppäintä (ks. viereinen kuva). Jos koneessa on tätä vastaava merkkivalo, se sammuu.

4.6 Koneen tyhjennys

4.6.1 Koneet, joissa ei ole poistopumppua

1. Sammuta kone siten kuin yllä kappaleessa "**Koneen sammuttaminen**" on kuvattu.
2. Vedä ylivuotosuoja ulos: odota, että koneen allas tyhjenee kokonaan.





4.6.2 Koneet, joissa on poistopumppu

1. Sammuta kone siten kuin yllä kappaleessa "Koneen sammuttaminen" on kuvattu.
2. Vedä ylitäyttösuoja ulos ja sulje luukku.
3. Paina viereisessä kuvassa osoitettua "tyhjennyspumppu" painiketta koneen tyhjentämiseksi.
4. Jos koneessa ei ole poistopumppupainiketta, sammuta kone siten kuin kappaleessa "Koneen sammuttaminen" on kuvattu.
5. Vedä ylitäyttösuoja ulos ja sulje luukku.
6. Paina viereisessä kuvassa osoitettua "start/jakson käynnistys" painiketta koneen tyhjentämiseksi.

- Kun koneen allas on täysin tyhjä, puhdista kone niin kuin luvussa "Huolto" on kuvattu.
- Sammuta kone joka kerran, kun poistat ylivuotosuojan.

4.7 Vedenpehmenyysuolan lisääminen

Jos koneessa on sisäinen vedenpehmenin (pyynnöstä saatavana), pitää koneeseen lisätä säännöllisin väliajoin vedenpehmenyysuolaa, jotta pehmenin toimisi oikein. Pesujaksojen määrä pehmenyysuolan lisäämiskertojen välillä määräytyy veden kovuuden mukaan (ks. seuraava taulukko).

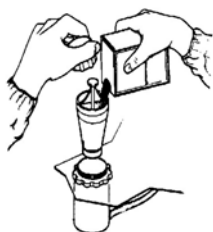
dH	F	Jaksoa
6,0	10	153
6,5	11	147
7,0	12	140
7,5	13	133
8,0	14	127
8,5	15	120
9,0	16	113

dH	F	Jaksoa
9,5	17	107
10,0	18	100
10,5	19	93
11,0	20	87
12,0	21	83
12,5	22	80
13,0	23	77

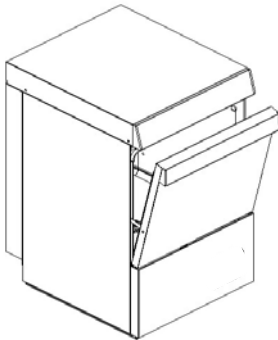
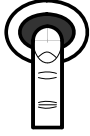
dH	F	Jaksoa
13,5	24	73
14,0	25	70
14,5	26	67
15,0	27	63
15,5	28	60
16,0	29	57
17,0	30	53

dH	F	Jaksoa
17,5	31	52
18,0	32	50
18,5	33	48
19,0	34	47
19,5	35	43

- Suosittelemme, että vedenpehmenyysuolan lisääminen tehdään työstä jäävien taukojen aikana.
- Sammuta kone siten kuin kappaleessa "Koneen sammuttaminen" on kuvattu.
- Tyhjennä kone siten kuin kappaleessa "Koneen tyhjennys" on kuvattu.
- Puhdista kone niin kuin luvussa "Huolto" on kuvattu. Avaa puhdistuksen loppuksi vesihana uudelleen ja kytke sähkövirta pääkatkaisijasta päälle.



- Varmista, että ylivuotosuoja on poistettu.
- Avaa koneen sisällä oleva suolasäiliö.
- Kaada säiliöön noin 250g regenerointisuolaa (puhdasta ruokasuolaa, johon ei ole lisätty mitään, kiteinä joiden halkaisija on 1-2 mm).
- Sulje säiliö voimakkaalla liikkeellä.
- Sulje luukku.



- **Käynnistämättä konetta** paina koneen start-painiketta, kunnes jakson merkkivalo syttyy.
- Vedenpehennysjakso käynnistyy ja kestää noin 20 minuuttia.

- Kun jakson merkkivalo sammuu, vedenpehennysjakso on päättynyt.

Vedenpehennysuolan lisäämisjakson päätteeksi, kun koneen allas on tyhjä eikä ylivuotosuojaa ole vielä palautettu paikalleen, on suositeltavaa:

- käynnistää kone painamalla käynnistyspainiketta (ks. viereinen kuva)
- antaa veden virrata noin minuutin ajan, jotta suolajäämät huuhtoutuvat pois altaasta.
- Sammuta kone käynnistyspainikkeesta ja pane ylivuotosuoja takaisin paikalleen.

Nyt koneen voi täyttää uudestaan.

4.8 Kun et käytä konetta

- Työpäivän päätyttyä kone täytyy aina tyhjentää kappaleen "Koneen tyhjennys" ohjeiden mukaan.
- **Kytke laite irti sähköverkosta pääkatkaisijalla ja sulje ulkopuolinen vesihana.**
- Suorita tavallinen huolto ja puhdista kone kappaleen "Huolto" ohjeiden mukaan.
- Jätä luukku raolleen, jos mahdollista, näin vältät pahan hajun muodostumisen laitteen sisään.

Luku 5 HUOLTO



Ennen mihinkään huoltotoimenpiteisiin ryhtymistä tyhjennä vesi koneesta kokonaan kappaleessa "Koneen tyhjennys" kuvatulla tavalla, katkaise virta koneen ulkoisesta pääkytkimestä ja sulje koneen ulkoinen vesiventtiili.

5.1 Puhtaus ja hygienia

Koneen hygienian takaamiseksi **on tehtävä säännöllisesti tavalliset (päivittäiset) sekä viikoittaiset ja kuukausittaiset huoltotoimenpiteet**, jotka kuvataan alla. Suorita myös sterilointikäsittely säännöllisesti sopivilla, syövyttämättömillä, kaupoista löytyvillä tuotteilla.

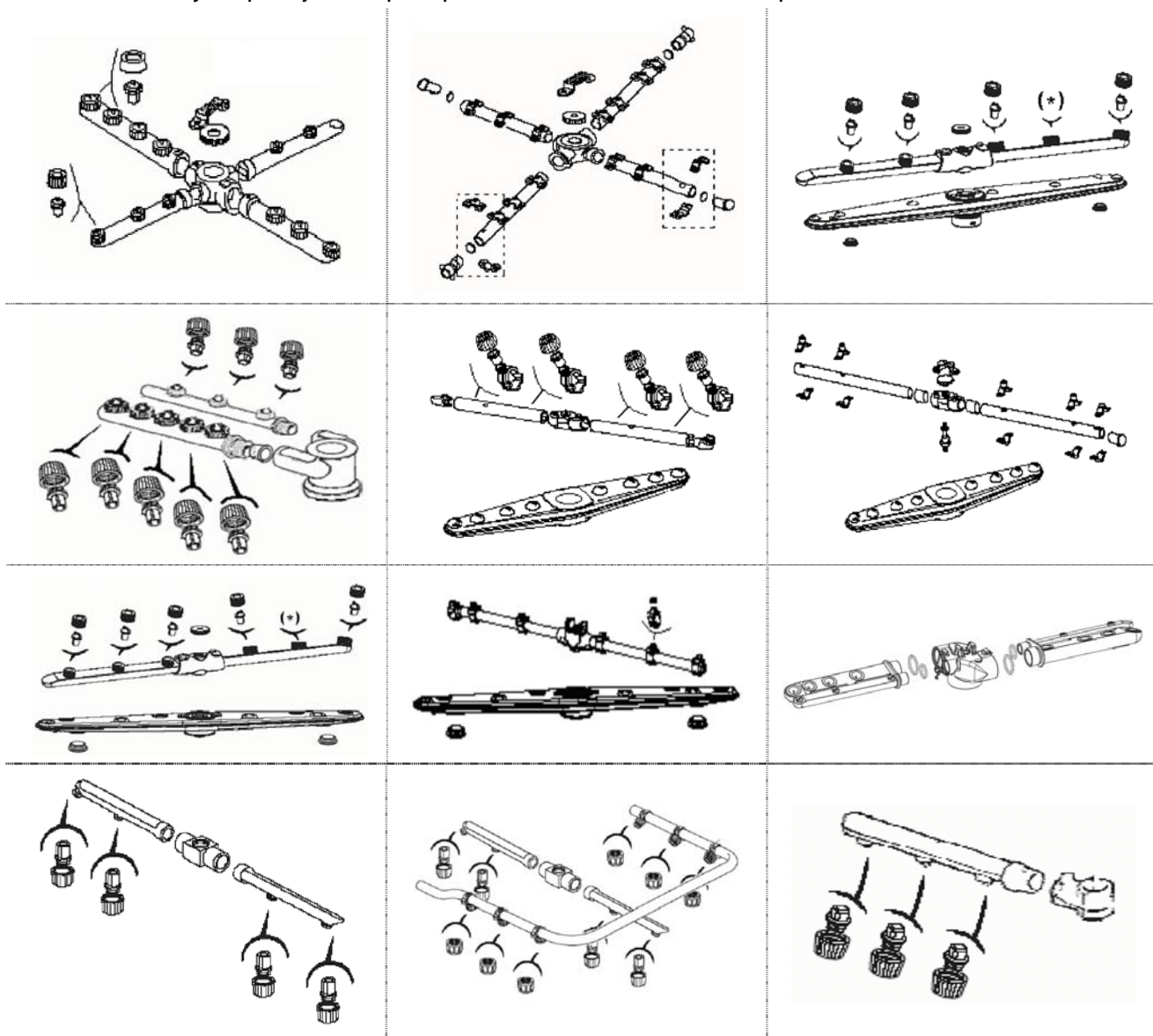
5.2 Tavallinen huolto (päivittäinen)

- Kun huomaat ruuantähteitä ja muita likajäännöksiä koneen pohjassa olevassa suodattimessa.
- Poista ja puhdista korit, ylivuotosuoja ja suodatin.
- Älä käytä hankaavia tuotteita tai esineitä teräksisen koneen sisustan puhdistukseen. Käytä niiden sijasta kosteaa riepua, jossa on hiukan saippuaa.
- Älä käytä painevesisuihkuja, ne voisivat vahingoittaa koneen sähköjärjestelmää.

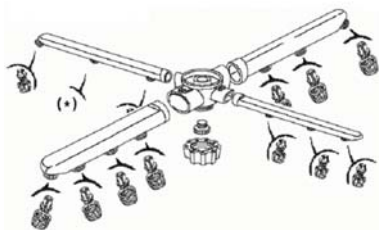
5.3 Viikoittainen huolto

- Suorita tavallinen huolto.
- Irrota pesu- ja huuhteluvarret sekä suuttimet ja puhdista ne.

Seuraa kuvaus ylempien ja alempien pesu/huuhteluvarsiensa kokoonpanosta.



(*) Suihke kiinni. Suutinta ei ole.



- Puhdista varsiensa kääntöpäät sekä pesu- ja huuhteluveden tyhjennysalue.
- Puhdista allas ja kone huolellisesti desinfioivilla hankaamattomilla tuotteilla.
- Kokoa paikoilleen suuttimet, varret ja suodattimet. Pidä huoli varsiensa oikeasta kaltevuudesta ja siitä, että ne tulevat oikein kohdalleen.

5.4 Vuosittainen huolto

Anna pätevän huoltomiehen tarkastaa kone läpikotaisin. Ota erityisesti huomioon:

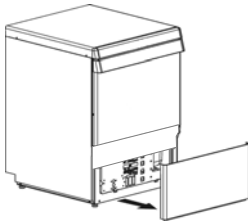
- Kertymien poisto koneen sisäosista.
- Pesu- ja huuhteluvarsiensa ja -suutinten irrottaminen ja perusteellinen puhdistus.

- Puhdista huolellisesti alemman pesuvarren keskiössä oleva suodattimen kansi ja alue, josta vettä tulee ulos.
- Asenna virheettömästi takaisin paikoilleen suodattimen kansi, keskiö ja pesu- ja huuhteluvartret.
- Tiivisteiden kunnan tarkastus ja muiden koneen osien, kuten pumppujen, annostelijoiden jne. kulumisen tarkastus.
- Kirkasteaineen ja pesuaineen annostelijoiden säätöjen tarkastus.
- Tarkista vastukset ja puhdista ne tarvittaessa.

Jos konetta ei käytetä pitkään aikoihin, on välttämätöntä antaa asiantuntijan valmistella se tähän asianmukaisella tavalla. Jos konetta uudelleen käynnistettäessä on syytä epäillä, että koneeseen on muodostunut jäätä, konetta ei pidä käyttää ennen kuin pätevä huoltomies on tarkastanut vedenlämmittimen ja putket.

Luku 6 SÄÄDÖT JA TARKASTUKSET

Seuraavat säätö- ja tarkastustoimenpiteet saa suorittaa yksinomaan tehtävään pätevä ja valtuutettu henkilö. Niissä on noudatettava äärimmäistä huolellisuutta ja varovaisuutta. Jos koneen turvalaitteet on tilapäisesti poistettava käytöstä, on huolehdittava muista tarpeellisista varotoimenpiteistä.



6.1 Annostelijat



Ennen **hienosäädön** aloittamista annostelijan tai annostelijoiden ja syöttöputkien tulee olla täynnä. Hienosäätö tapahtuu säätöruuvien välityksellä. Niihin pääsee käsiksi irrottamalla koneen luukun alla olevan etupaneelin.

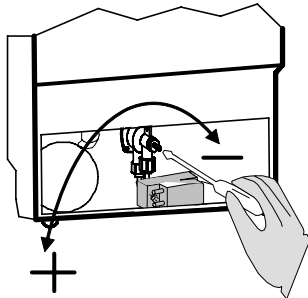


- **Takuu ei koske vahinkoja, jotka johtuvat annostelijan tai annostelijoiden virheellisestä käytöstä tai virheellisestä manuaalisesta annostelusta.**
- **Pesuaineen ja huuhtelukirkasteaineen valinta ja oikea annostelu ovat ratkaisevan tärkeitä hyvän pesutuloksen ja koneen pitkäikäisyyden kannalta. Käytä ainoastaan nestemäisiä, teolliseen pesuun tarkoitettuja ja niukasti vaahtoavia tuotteita.**
- **Säädöt tulee tehdä koneen ollessa lämmin ja siten, että tuotetta on annosteltu oikein.**



6.1.1 Huuhtelukirkasteaineen annostelija

Säiliössä on oltava riittävä määrä kirkastetta. Säiliö ei koskaan saa tyhjentyä kokonaan eikä sitä saa täyttää syövyttävillä tai epäpuhtailla tuotteilla. Jotta syöttöletku ja annostelija täyttyisivät, käynnistä kone, käynnistä pesujakso, odota noin 20 sekuntia ja paina käynnistys/sammutuspainiketta  /  8 - 10 kertaa noin 10 sekunnin välein. Jätä painike pohjaan niin, että pesujakso päättyy.

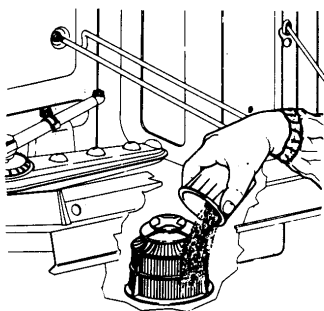


- Kun säätöruuvia kierretään myötäpäivään, annostellun kirkasteaineen määrä vähenee; vastapäivään kiertämällä määrä puolestaan lisääntyy.
- Tietoa tuotteen määrästä ensimmäistä säätökertaa varten saat katsomalla esivalitun tuotteen toimittajan ilmoittamia annostelumääriä.
- Säätöä tarkennetaan arvioimalla vähintään kolmen jakson jälkeen saadut huuhtelutulokset niin, että tulokset ovat aina samankaltaiset.

- Raidat astioissa ja vaahton muodostuminen pesuliukokseen ilmaisevat, että kirkasteainetta on liikaa. Jos astioissa on vesipisaroita ja kuivuminen tapahtuu melko hitaasti, kirkasteainetta on liian vähän.
- Parhaiden tulosten saamiseksi käytä ainoastaan sellaisia kirkasteaineita, joissa valmistajan

suosittelema annostelu on alle 1,5 g/litra.

- 7,9 cm putkea = 1 ml tuotetta (= 1 g tuotetta, jonka tiheys on 1 kg/dm³). Huuhteluun käytetään noin 3 litraa vettä per jakso.
- Älä muuta kanisterin ja koneen pohjan välistä korkeuseroa sen jälkeen, kun olet tehnyt annostelua koskevat asetukset.
- Jos koneen pohjan ja kanisterin välinen korkeusero on yli 80 cm, annostelija ei välttämättä toimi oikein.
- Jos huuhteluainetta ei käytetä, sulje kokonaan annostelijassa oleva säätöruuvi.



6.1.2 Laite, jossa ei ole pesuaineen annostelijaa

Käsin tapahtuvaa annostelua ei suositella, koska se ei takaa samoja parhaita mahdollisia tuloksia kuin automaattinen annostelija. Ellei automaattista annostelijaa kuitenkaan käytetä, kaada pesuaine pumpun imusuodattimen lähelle aina 5 jakson välein. Noudata valmistajan suosittelemaa annostelua. Tarkasta teknisistä tiedoista pesukoneen pesuun käytämä vesimäärä; huuhteluun käytettävä vesimäärä on noin 3 litraa. Lisää jokaisen täytön yhteydessä sellainen määrä pesuainetta, joka vastaa pesukoneen käyttämää vettä ja seuraavia viittä huuhtelua. Myöhemmissä annosteluissa lisätään vain sen verran pesuainetta kuin huuhtelut vaativat.

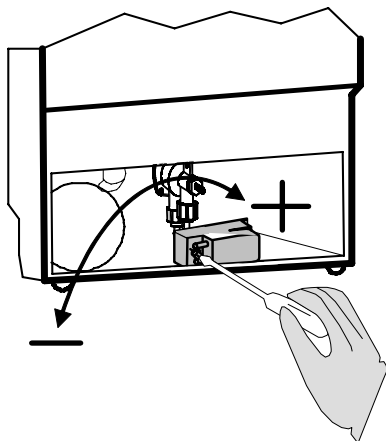


Suosittelavinta on aina asentaa automaattinen pesuaineen annostelija.



6.1.3 Laite, jossa on pesuaineen annostelija (pyynnöstä saatavana)

Säiliössä on oltava riittävä määrä pesuainetta. Säiliö ei koskaan saa tyhjentyä kokonaan eikä sitä saa täyttää syövyttävillä tai epäpuhtailla tuotteilla. Syöttöputken täyttämiseksi tarvitsee vain käynnistää kone ja teettää ensimmäinen täyttö koneeseen liitetyn annostelijan kanssa.



- Kun säätöruuvia kierretään vastapäivään, annostellun pesuaineen määrä vähenee; vastapäivään kiertämällä määrä puolestaan lisääntyy (1 ÷ 1,5 ml per huuhtelu per merkkiviiva, joka vastaa noin 1,2 ÷ 1,8 grammaa tuotetta, jonka tiheys on 1,2 kg/dm³). Tarkasta koneen teknisistä tiedoista, paljonko pesukoneen altaaseen mahtuu vettä.
- Tietoa tuotteen määrästä ensimmäistä säätökertaa varten saat katsomalla esivalitun tuotteen toimittajan ilmoittamia annostelumääriä.
- Säätöä tarkennetaan arvioimalla vähintään kolmen jakson jälkeen saadut pesutulokset niin, että tulokset ovat aina samankaltaiset.

- **Altaassa ei saa jakson lopussa olla vaahtoa.**
- Mikäli vaahtoa on, tarkasta ensimmäiseksi käytetyn pesuaineen tyyppi ja vaihda se tarvittaessa sopivampaan. Jos vaahtoa edelleenkin pesun jälkeen näkyy, tarkasta että veden lämpötila koneen altaassa on oikea ja vähennä tarvittaessa pesuaineen määrää, kunnes vaahto häviää kokonaan.
- Varusteluun kuuluvissa annostelijoissa tulee käyttää ainoastaan sellaisia pesuaineita, joissa valmistajan suosittelema annostelu on alle 5 g/litra.

Luku 7 ASENNUKSEN PURKU



Asennuksen saa purkaa ainoastaan tehtävään pätevä ja valtuutettu henkilö.

- **Katkaise koneen virransyöttö koneen ulkoisesta sähköpääkytkimestä.**
- **Sulje koneen ulkoinen vedenottohana.**
- **Irrota kone kokonaan sähkö- ja vesiverkosta.**
- Tyhjennä, puhdista ja valmistele asianmukaisesti kaikki sisäiset hydraulikkaosat, annostelijat, pumput ja vedenlämmitin.
- Tyhjennä täysin tyhjiksi pesuaineen ja huuhteluaineen annostelijat sekä niihin liitetyt putket. Muista hävittää pesuaine ja huuhteluaine oikealla tavalla (ota yhteys tuotteiden toimittajaan).

Luku 8 KONEEN HÄVITTÄMINEN

Koneissamme ei ole materiaaleja, jotka vaatisivat erityisiä jätteenkäsittelytoimenpiteitä.

8.1 Tämän tuotteen turvallinen hävittäminen

(elektroniikka ja sänkölaitteet)



Oheinen merkintä tuotteessa tai tuotteen ohismateriaalissa merkitsee, että tätä tuotetta ei tule hävittää kotitalousjätteen mukana sen elinkaaren päätyttyä. Hallitsemattomasta jätteenkäsittelystä ympäristölle ja kanssaihminen terveydelle aiheutuvien vahinkojen välttämiseksi tuote käsitellä muista jätteistä erillään. Jäte on hyvä kierrättää raaka-aineiksi kestävän ympäristökehityksen takia.

Kotitalouskäyttäjien tulisi ottaa yhteyttä myyneeseen jälleenmyyjään tai paikalliseen ympäristöviranomaiseen, jotka antavat lisätietoja tuotteen turvallisista kierrätysmahdollisuuksista.

Yrityskäyttäjien tulisi ottaa yhteyttä tavarantoimittajaan ja selvittää hankintasopimuksen ehdot. Tätä tuotetta ei tule hävittää muun kaupallisen jätteen seassa.

ΠΕΡΙΕΧΟΜΕΝΑ

ΚΕΦ 1	ΠΡΟΛΟΓΟΣ	2
ΚΕΦ 2	ΕΓΚΑΤΑΣΤΑΣΗ	2
2.1	ΑΦΑΙΡΕΣΗ ΣΥΣΚΕΥΑΣΙΑΣ.....	2
2.2	ΤΟΠΟΘΕΤΗΣΗ	2
2.3	ΗΛΕΚΤΡΙΚΗ ΣΥΝΔΕΣΜΟΛΟΓΙΑ.....	3
2.4	ΥΔΡΑΥΛΙΚΗ ΣΥΝΔΕΣΜΟΛΟΓΙΑ.....	3
2.5	ΣΥΝΔΕΣΗ ΣΤΗΝ ΑΠΟΧΕΤΕΥΣΗ.....	4
ΚΕΦ 3	ΚΙΝΔΥΝΟΙ ΚΑΙ ΣΗΜΑΝΤΙΚΕΣ ΠΡΟΕΙΔΟΠΟΙΗΣΕΙΣ	4
ΚΕΦ 4	ΧΡΗΣΗ ΤΗΣ ΣΥΣΚΕΥΗΣ	5
4.1	ΣΗΜΑΣΙΑ ΤΩΝ ΧΡΗΣΙΜΟΠΟΙΟΥΜΕΝΩΝ ΣΥΜΒΟΛΩΝ	5
4.2	ΆΝΑΜΜΑ ΣΥΣΚΕΥΗΣ	5
4.3	ΓΕΜΙΣΜΑ ΚΑΙ ΘΕΡΜΑΝΣΗ	5
4.4	ΚΥΚΛΟΣ ΠΛΥΣΙΜΑΤΟΣ	5
4.5	ΣΒΗΣΙΜΟ ΤΗΣ ΣΥΣΚΕΥΗΣ	6
4.6	ΆΔΕΙΑΣΜΑ ΤΗΣ ΣΥΣΚΕΥΗΣ.....	7
4.6.1	Συσκευές χωρίς αντλία αποχέτευσης	7
4.6.2	Συσκευές με αντλία αποχέτευσης	7
4.7	ΑΝΑΓΕΝΝΗΣΗ ΡΗΤΙΝΩΝ.....	7
4.8	ΤΕΛΟΣ ΛΕΙΤΟΥΡΓΙΑΣ.....	8
ΚΕΦ 5	ΣΥΝΤΗΡΗΣΗ	8
5.1	ΚΑΘΑΡΙΣΜΟΣ ΚΑΙ ΥΓΙΕΙΝΗ	8
5.2	ΤΑΚΤΙΚΗ ΣΥΝΤΗΡΗΣΗ (ΚΑΘΗΜΕΡΙΝΗ).....	9
5.3	ΕΒΔΟΜΑΔΙΑΙΑ ΣΥΝΤΗΡΗΣΗ	9
5.4	ΕΤΗΣΙΑ ΣΥΝΤΗΡΗΣΗ	10
ΚΕΦ 6	ΡΥΘΜΙΣΗ ΚΑΙ ΕΛΕΓΧΟΙ	10
6.1	ΔΟΣΟΜΕΤΡΗΤΕΣ	10
6.1.1	Δοσομετρητής γιαλιστικού.....	10
6.1.2	Συσκευή χωρίς δοσομετρητή απορρυπαντικού	11
6.1.3	Συσκευή με δοσομετρητή απορρυπαντικού (προμηθεύεται κατόπιν παραγγελίας).....	11
ΚΕΦ 7	ΑΠΟΣΥΝΔΕΣΗ ΣΥΣΚΕΥΗΣ	12
ΚΕΦ 8	ΔΙΑΘΕΣΗ	12
8.1	ΣΩΣΤΗ ΔΙΑΘΕΣΗ ΤΟΥ ΠΡΟΪΟΝΤΟΣ ΩΣ ΑΠΟΒΛΗΤΟ	12

Κατά το νόμο, ο κατασκευαστικός οίκος διατηρεί την πνευματική ιδιοκτησία του παρόντος εντύπου με απαγόρευση αναπαραγωγής και διανομής με οποιονδήποτε τρόπο, χωρίς να προηγηθεί γραπτή έγκριση. Ο κατασκευαστικός οίκος διατηρεί το δικαίωμα να επιφέρει χωρίς καμία προειδοποίηση, τις τροποποιήσεις που θεωρεί απαραίτητες για τη βελτίωση του παρόντος.

ΚΕΦ 1 ΠΡΟΛΟΓΟΣ

Η μη τήρηση των οδηγιών που περιέχονται στα συνημμένα έγγραφα μπορεί να επηρεάσει την ασφάλεια της συσκευής και να επακολουθήσει άμεση παύση ισχύος της εγγύησης.



Οι προειδοποιήσεις που περιέχονται στο παρόν εγχειρίδιο, δίνουν σημαντικές υποδείξεις για την ασφάλεια κατά τις φάσεις εγκατάστασης, χρήσης και συντήρησης της συσκευής.

Φυλάξτε όλα τα έντυπα κοντά στη συσκευή και παραδώστε τα στους τεχνικούς που είναι αρμόδιοι για τη χρήση της συσκευής. Ο χειριστής υποχρεούται να διαβάσει, να κατανοήσει και να μάθει το παρόν εγχειρίδιο, πριν ξεκινήσει οποιαδήποτε εργασία στη συσκευή. Η συσκευή προορίζεται για το επαγγελματικό πλύσιμο πιάτων σε χώρους μαζικής εστίασης και κατά συνέπεια η εγκατάσταση, η χρήση και η συντήρηση πρέπει να εκτελούνται από καταρτισμένους τεχνικούς, που θα τηρήσουν τις υποδείξεις του κατασκευαστικού οίκου. Μην αφήνετε τα μικρά παιδιά να πλησιάσουν τη συσκευή. Η επιλογή των υλικών, η κατασκευή σύμφωνα με τις οδηγίες ασφαλείας της ΕΟΚ και η πλήρης δοκιμαστική λειτουργία, εξασφαλίζουν την ποιότητα αυτής της συσκευής. Εκτός από το παρόν εγχειρίδιο, η συσκευή συνοδεύεται από:

- ηλεκτρικό σχεδιάγραμμα
- τοπογραφικό σχέδιο

Ο κατασκευαστικός οίκος απαλλάσσεται από κάθε ευθύνη για ζημιές σε πράγματα ή πρόσωπα που προέρχονται από την μη τήρηση των οδηγιών ή από μια ακατάλληλη χρήση της συσκευής.

ΚΕΦ 2 ΕΓΚΑΤΑΣΤΑΣΗ

Η σωστή εγκατάσταση είναι θεμελιώδης για την καλή λειτουργία της συσκευής. Μερικά από τα στοιχεία που απαιτούνται για την εγκατάσταση της συσκευής, αναγράφονται στην πινακίδα χαρακτηριστικών που βρίσκεται στο δεξιό πλευρό της συσκευής και στο εξώφυλλο του παρόντος εγχειριδίου.



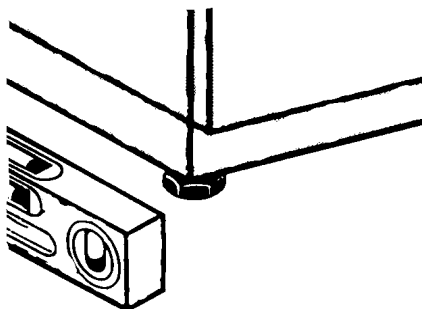
Η εγκατάσταση πρέπει να γίνει αποκλειστικά από εξειδικευμένους και εξουσιοδοτημένους τεχνικούς.

2.1 Αφαίρεση συσκευασίας

Βεβαιωθείτε για την ακεραιότητα της συσκευασίας, σημειώνοντας στο δελτίο παράδοσης τις τυχόν ζημιές που διαπιστώσατε. Αφού αφαιρέσετε τη συσκευασία, **βεβαιωθείτε πως η συσκευή είναι ακέραια**. Αν παρουσιάζει κάποια ζημιά η συσκευή, ενημερώστε άμεσα τον αντιπρόσωπο με συστημένη επιστολή ή με fax, καθώς επίσης και την εταιρεία που έκανε τη μεταφορά. Αν οι ζημιές είναι τέτοιες ώστε να επηρεάζεται η ασφάλεια της συσκευής, μην την εγκαταστήσετε και μην την χρησιμοποιήσετε, αν δεν προηγηθεί επέμβαση ενός εξειδικευμένου τεχνικού.



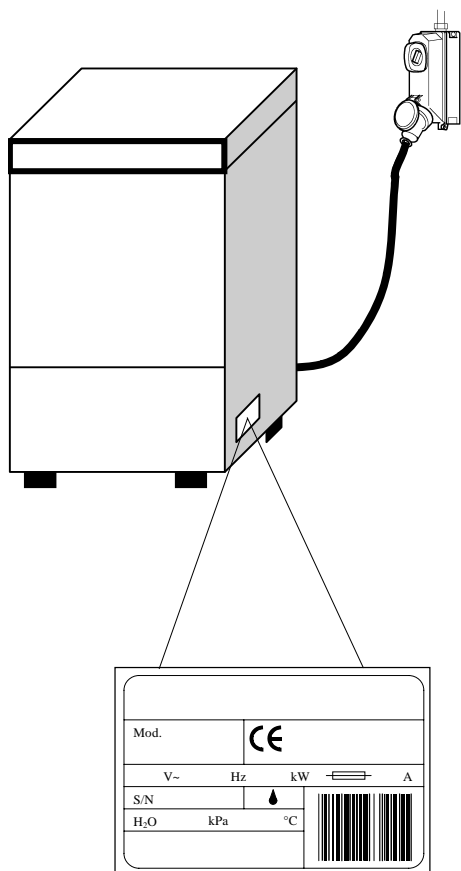
Τα υλικά συσκευασίας (πλαστικές σακούλες, διογκωμένο πολυστυρένιο, καρφιά, κ.λπ.) δεν πρέπει να αφήνονται στη διάθεση των μικρών παιδιών και των κατοικίδιων ζώων, δεδομένου ότι αποτελούν πηγή κινδύνου.



2.2 Τοποθέτηση

- Βεβαιωθείτε πως στην περιοχή εγκατάστασης δεν υπάρχουν ή είναι επαρκώς προστατευμένα αντικείμενα και υλικά που μπορεί να υποστούν βλάβη από τους υδρατμούς που εξέρχονται από τη συσκευή κατά τη λειτουργία.
- Προκειμένου να εξασφαλίσετε την ευστάθεια, τοποθετήστε και οριζοντιώστε τη συσκευή στα τέσσερα ποδαράκια.
- Μπορείτε να συμφωνήσετε με τον κατασκευαστικό οίκο και εναλλακτικές λύσεις για την εγκατάσταση.

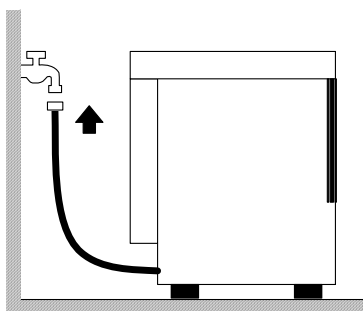
2.3 Ηλεκτρική συνδεσμολογία



- Πρέπει να υπάρχει ένας γενικός διακόπτης προς όλους τους πόλους, που θα διακόπτει όλες τις επαφές, συμπεριλαμβανομένης της επαφής του ουδέτερου, με ελάχιστη απόσταση μεταξύ των ηλεκτροδίων 3 mm και μαγνητοθερμική ενεργοποίηση ασφαλείας ή σύζευξη με ασφάλειες, που θα διαστασιοποιηθεί ή θα βαθμονομηθεί σύμφωνα με την ισχύ που αναγράφεται στην πινακίδα τεχνικών χαρακτηριστικών της συσκευής.
- Ο γενικός διακόπτης πρέπει να βρίσκεται στην ηλεκτρική γραμμή κοντά στην εγκατάσταση και πρέπει να ελέγχει μια μονάχα συσκευή.
- Η τάση και συχνότητα του ηλεκτρικού δικτύου, πρέπει να αντιστοιχούν με τα στοιχεία που αναγράφονται στην πινακίδα της συσκευής.
- Πρέπει να υπάρχει μια αποτελεσματική εγκατάσταση γείωσης, σύμφωνα με τους κείμενους κανονισμούς για την ασφάλεια του χειριστή και της συσκευής.
- Το καλώδιο ηλεκτροδότησης, αποκλειστικά τύπου H07RN-F, δεν πρέπει να υφίσταται εφελκυσμό ή σύνθλιψη, κατά την κανονική λειτουργία ή κατά την τακτική συντήρηση.
- Ο ακροδέκτης ισοδυναμικού που είναι στερεωμένος στο σώμα, πρέπει να συνδεθεί με ένα καλώδιο ισοδυναμικού με διατομή κατάλληλη για την υπόψη εγκατάσταση.
- Τηρείτε την πολικότητα του ηλεκτρικού διαγράμματος.
- Για περαιτέρω πληροφορίες, συμβουλευθείτε το συνημμένο ηλεκτρικό σχεδιάγραμμα.



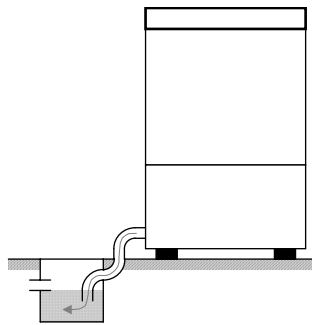
Μην χρησιμοποιείτε αντάπτορες, πολύπριζα, καλώδια ακατάλληλου τύπου και διατομής, ή με συνδέσμους προέκτασης (μπαλαντέζες) που δεν ανταποκρίνονται στην ισχύουσα νομοθεσία περί εγκαταστάσεων.



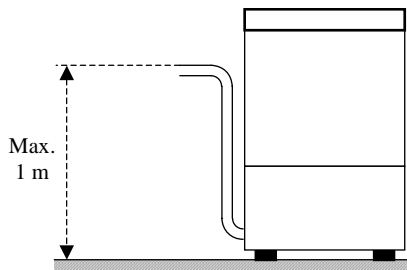
2.4 Υδραυλική συνδεσμολογία

Η συσκευή πρέπει να συνδεθεί με το δίκτυο ύδρευσης διαμέσου ενός εύκαμπτου σωλήνα. Ανάμεσα στο δίκτυο ύδρευσης και την ηλεκτροβάνα της συσκευής πρέπει να υπάρχει μια αποφρακτική συρταρωτή βαλβίδα που θα διακόπτει γρήγορα και τελείως την υδροδότηση, όταν απαιτείται. Η αποφρακτική βαλβίδα πρέπει να βρίσκεται κοντά και αμέσως πριν από την είσοδο της συσκευής.

- Αν η εγκατάσταση ύδρευσης είναι καινούρια ή έχει χρησιμοποιηθεί λίγο, αφήστε το νερό να τρέξει πριν συνδέσετε την συσκευή.
- Η παροχή του νερού, η θερμοκρασία και η πίεση **πρέπει να αντιστοιχούν** με όσα αναφέρονται στην πινακίδα τεχνικών χαρακτηριστικών της συσκευής.
- Αν η σκληρότητα του νερού είναι μεγαλύτερη από 14°F (8 dH) συνιστούμε να τοποθετήσετε και έναν εσωτερικό αποσκληρυντή (που προμηθεύουμε κατόπιν ειδικής παραγγελίας). Αν η σκληρότητα του νερού είναι μεγαλύτερη από 35°F (19,5 dH) συνιστούμε να τοποθετήσετε πριν από την ηλεκτροβάνα, έναν εξωτερικό αποσκληρυντή..



Ελεύθερη αποχέτευση



Με αποχετευτική αντλία (διαθέσιμη κατόπιν παραγγελίας)

2.5 Σύνδεση στην αποχέτευση

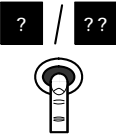
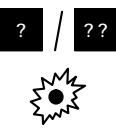
- Η γραμμή αποχέτευσης πρέπει να αποτελείται από ένα ελεύθερο φρεάτιο με σифόνι, κατάλληλων διαστάσεων για την παροχή του σωλήνα αποχέτευσης που προμηθεύεται με τη συσκευή. Ο σωλήνας πρέπει να φτάνει στο φρεάτιο, χωρίς να τραβιέται ή να λυγίζει, ή να συνθλίβεται, ή να πιέζεται ή να καταπονείται με οποιονδήποτε τρόπο.
- Η λεκάνη αδειάζει δια βαρύτητας και κατά συνέπεια η αποχέτευση πρέπει να είναι, σε μια στάθμη κατώτερη από τη βάση της συσκευής.
- Αν η αποχέτευση δεν είναι σε στάθμη χαμηλότερη από τη βάση της συσκευής, μπορείτε να χρησιμοποιήσετε μια αποχετευτική αντλία (που προμηθεύουμε κατόπιν παραγγελίας).
- Στην περίπτωση αυτή το μέγιστο ύψος της αποχέτευσης πρέπει να είναι 1 m.
- Να βεβαιώνετε πάντα ως η αποχέτευση λειτουργεί κανονικά και δεν είναι φραγμένη.
- Για οποιαδήποτε άλλη λύση πρέπει να ζητήσετε την έγκριση του κατασκευαστικού οίκου.

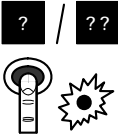
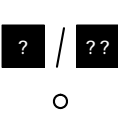
ΚΕΦ 3 ΚΙΝΔΥΝΟΙ ΚΑΙ ΣΗΜΑΝΤΙΚΕΣ ΠΡΟΕΙΔΟΠΟΙΗΣΕΙΣ

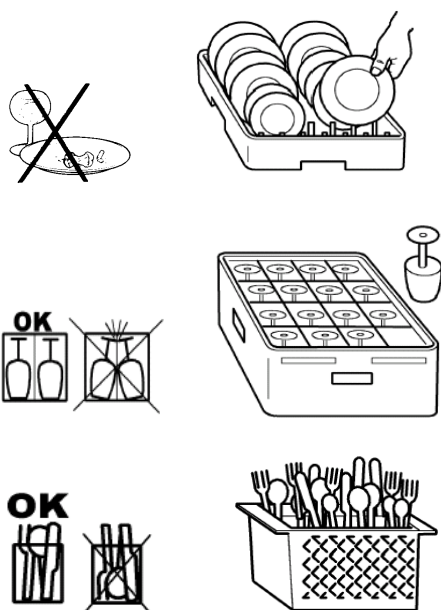
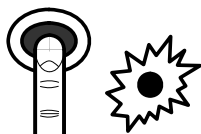
- Η συσκευή αυτή προορίζεται μονάχα για τη χρήση που σχεδιάστηκε. Οποιαδήποτε άλλη χρήση θεωρείται ακατάλληλη και συνεπώς επικίνδυνη.
- Το εξειδικευμένο προσωπικό που θα εκτελέσει την εγκατάσταση, υποχρεούται να καθοδηγήσει κατάλληλα τον χρήστη για τη λειτουργία της συσκευής, και τα τυχόν προληπτικά μέτρα που πρέπει να ληφθούν, κάνοντας και πρακτική επίδειξη.
- Οποιαδήποτε επέμβαση στη συσκευή, ακόμα και σε περίπτωση βλάβης, πρέπει να εκτελείται αποκλειστικά από τον κατασκευαστικό οίκο ή ένα εξουσιοδοτημένο κέντρο τεχνικής υποστήριξης (Σέρβις) **χρησιμοποιώντας αποκλειστικά γνήσια ανταλλακτικά**.
- Να αποσυνδέετε πάντα τη συσκευή από το δίκτυο ύδρευσης και ηλεκτροδότησης, πριν εκτελέσετε τις εργασίες συντήρησης, επισκευής και καθαρισμού.
- Η συσκευή **ΔΕΝ** πρέπει να χρησιμοποιείται από μη εκπαιδευμένο προσωπικό.
- Η συσκευή **ΔΕΝ** πρέπει να παραμένει συνδεδεμένη σε ρεύμα όταν δεν χρησιμοποιείται.
- Μην ανοίγετε **ΠΟΤΕ** γρήγορα την πόρτα της συσκευής αν δεν έχει ολοκληρώσει τον κύκλο λειτουργίας.
- Μην χρησιμοποιείτε **ΠΟΤΕ** τη συσκευή χωρίς τις προστατευτικές διατάξεις που έχει προβλέψει ο κατασκευαστικός οίκος.
- Μην χρησιμοποιείτε **ΠΟΤΕ** τη συσκευή για να πλύνετε αντικείμενα τύπου, σχήματος, μεγέθους ή υλικού που δεν έχουν εγγύηση για το πλύσιμο στο πλυντήριο ή που δεν είναι σε άριστη κατάσταση.
- Μην χρησιμοποιείτε **ΠΟΤΕ** τη συσκευή ή τα εξαρτήματά της σαν σκάλα ή βάθρο στήριξης για πρόσωπα, ζώα ή πράγματα.
- Μην υπερφορτώνετε **ΠΟΤΕ** την ανοικτή πόρτα των συσκευών με μετωπική φόρτωση, δεδομένου ότι είναι διαστασιολογημένη για να υποβαστάζει μονάχα το καλάθι γεμάτο με μαγειρικά σκεύη.
- Μην βυθίζετε **ΠΟΤΕ** τα χέρια σας χωρίς γάντια, στα απορρυπαντικά διαλύματα.
- Μην αναποδογυρίσετε **ΠΟΤΕ** τη συσκευή μετά την εγκατάσταση.

ΚΕΦ 4 ΧΡΗΣΗ ΤΗΣ ΣΥΣΚΕΥΗΣ

4.1 Σημασία των χρησιμοποιούμενων συμβόλων

	Πατήστε το κουμπί που αντιστοιχεί σε ένα από τα απεικονιζόμενα σύμβολα.
	Ανάβει το ενδεικτικό λαμπάκι που αντιστοιχεί σε ένα από τα απεικονιζόμενα σύμβολα.

	Πατήστε το κουμπί που αντιστοιχεί σε ένα από τα απεικονιζόμενα σύμβολα. Θα ανάψει το αντίστοιχο ενδεικτικό λαμπάκι.
	Σβήνει το ενδεικτικό λαμπάκι που αντιστοιχεί σε ένα από τα απεικονιζόμενα σύμβολα.



4.2 Άναμμα συσκευής

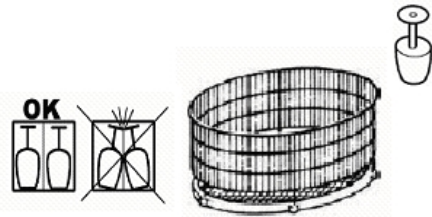
1. Ανοίξτε τη βρύση του νερού και ανεβάστε τον γενικό διακόπτη.
2. Βεβαιωθείτε για την παρουσία της υπερχειλίσης.
3. Πατήστε το κουμπί λειτουργίας που φαίνεται στην εικόνα δίπλα. Αν υπάρχει, θα ανάψει το αντίστοιχο ενδεικτικό λαμπάκι.

4.3 Γέμισμα και θέρμανση

- Αν είναι άδεια η λεκάνη, η συσκευή θα αρχίσει να γεμίζει αυτόματα μόλις την ανάψετε.
- Όταν γεμίσει η λεκάνη, θα αρχίσει η θέρμανση. Αν υπάρχει, θα ανάψει το αντίστοιχο ενδεικτικό λαμπάκι.
- Το ενδεικτικό λαμπάκι θα σβήσει όταν η λεκάνη και το θερμοδοχείο φτάσουν τη επιλεγμένη θερμοκρασία.
- Για να μειώσετε το χρόνο αναμονής, μπορείτε να εκτελέσετε έναν κύκλο χωρίς σκεύη, 5 – 10 λεπτά μετά το άναμμα.

4.4 Κύκλος πλυσίματος

- Ελέγξτε αν υπάρχει απορρυπαντικό και γυαλιστικό. Πληροφορίες για τους τύπους προϊόντων που πρέπει να χρησιμοποιήσετε και για τη δοσομέτρησή τους (αυτόματη ή χειροκίνητη λειτουργία) θα βρείτε στο κεφάλαιο «Ρύθμιση και έλεγχοι».
- Χρησιμοποιείτε ένα κατάλληλο καλάθι, γεμίζοντάς το χωρίς να το υπερφορτώσετε και χωρίς να βάλετε τα σκεύη το ένα πάνω στο άλλο. **Να ξεπλένετε πάντα τα σκεύη πριν τα βάλετε στο πλυντήριο.** Μην βάζετε σκεύη με ξεραμένα ή στερεά κατάλοιπα τροφίμων.
- Τοποθετείτε τα άδεια δοχεία αναποδογυρισμένα στο καλάθι. Να βάζετε τα πιάτα και τα άλλα παρόμοια σκεύη στο ειδικό καλάθι, γυρτά, με την εσωτερική επιφάνεια στραμμένη προς τα πάνω. Τοποθετήστε τα διάφορα μαχαιροπίρουνα στο ειδικό καλάθι, με τις χειρολαβές στραμμένες προς τα κάτω.
- **Να πλένετε μονάχα τα σκεύη που είναι κατάλληλα για τον τύπο της συσκευής.**
- Συνιστάται να πλένετε τα σκεύη αμέσως μετά τη χρήση ούτως ώστε να μην ξεραίνεται η βρωμιά καθιστώντας δύσκολο τον καθαρισμό.



Για τα μοντέλα με περιστρεφόμενο καλάθι:

- Εάν είναι δυνατόν, ο κύκλος πρέπει να εκτελείται μόνο με το καλάθι γεμάτο, κατανέμοντας ομοιόμορφα τα σκεύη.
- Τοποθετήστε τα πιο ελαφρά σκεύη προς το κέντρο του καλάθιού και τα πιο βαριά προς τα έξω.
- Τοποθετήστε τα πιο στενά σκεύη προς το κέντρο του καλάθιού και τα πιο φαρδιά προς τα έξω.

- Βάλτε το καλάθι μέσα στο πλυντήριο και κλείστε την πόρτα.
- **Για τα μοντέλα με περιστρεφόμενο καλάθι, βεβαιωθείτε ότι το καλάθι περιστρέφεται ελεύθερα σπρώχνοντας ελαφρώς προς τα δεξιά, στη συνέχεια κλείστε την πόρτα και ξεκινήστε τον κύκλο.**
- Προκειμένου να αποφύγετε ζημιές, να βάζετε στο πλυντήριο μονάχα τα σκεύη που είναι σε καλή κατάσταση και που μπορεί να πλυθούν σε πλυντήριο.
- Μην βάζετε ασημένια μαχαιροπίρουνα ή από ανοξείδωτο χάλυβα στο ίδιο καλάθι με τα άλλα. Θα μαυρίσει το ασημί και μπορεί να διαβρωθεί ο χάλυβας.



Στις συσκευές με διαφορετικούς χρόνους πλυσίματος, επιλέξτε το χρόνο που είναι κατάλληλος για το πλύσιμο των σκευών, διαμέσου του διακόπτη “επιλογή χρόνων” που φαίνεται δίπλα στην εικόνα.



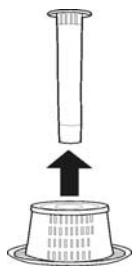
- Για να ξεκινήσετε τον κύκλο, πατήστε το κουμπί λειτουργίας που φαίνεται δίπλα στην εικόνα.
- Στις συσκευές που υπάρχει, θα ανάψει το “αντίστοιχο ενδεικτικό λαμπάκι κύκλου” για να δείξει πως εκτελείται ο κύκλος πλυσίματος.
- Μετά τη φάση πλυσίματος, ξεκινάνε αυτόματα οι φάσεις ξεβγάλματος και εκκένωσης και ο κύκλος ολοκληρώνεται. Στο τέλος του κύκλου σβήνει το ενδεικτικό λαμπάκι.

- Αν ανοίξει τυχαία η πόρτα κατά τη διάρκεια του κύκλου, η συσκευή σταματάει αυτόματα. Ξανακλείστε την πόρτα για να συνεχίσει ο κύκλος από εκεί που σταμάτησε.
- Για να στεγνώσουν γρήγορα τα σκεύη, βγάλτε αμέσως το καλάθι από τη συσκευή, όταν τελειώσει το πλύσιμο.
- **Αν είναι πολύ ακάθαρμο το νερό ή αν παρατηρήσετε ακαθαρσίες στο φίλτρο της λεκάνης, εκτελέστε τακτική συντήρηση, όπως περιγράφεται στο κεφάλαιο “Συντήρηση”.**
- **Για να εκτελέσετε διαδοχικούς κύκλους πλυσίματος, εκτελέστε ξανά τις εργασίες που περιγράφονται στην παράγραφο “Κύκλος πλυσίματος”.**



4.5 Σβήσιμο της συσκευής

Πατήστε το κουμπί “λειτουργίας” που φαίνεται δίπλα στην εικόνα. Στις συσκευές που υπάρχει, θα ανάψει το αντίστοιχο ενδεικτικό λαμπάκι.



4.6 Άδειασμα της συσκευής

4.6.1 Συσκευές χωρίς αντλία αποχέτευσης

1. Σβήστε τη συσκευή όπως περιγράφεται στην παράγραφο “Σβήσιμο συσκευής”.
2. Αφαιρέστε την υπερχειλίση: περιμένετε να αδειάσει τελείως η λεκάνη.

4.6.2 Συσκευές με αντλία αποχέτευσης

1. Σβήστε τη συσκευή όπως περιγράφεται στην παράγραφο “Σβήσιμο συσκευής”.
2. Αφαιρέστε την υπερχειλίση και κλείστε την πόρτα.
3. Για να αδειάσετε τη συσκευή, πατήστε το κουμπί “αντλία αποχέτευσης” που φαίνεται στο πλάι.
4. Στις συσκευές που δεν έχουν το κουμπί “αντλία αποχέτευσης”, σβήστε τη συσκευή όπως περιγράφεται στην παράγραφο “Σβήσιμο συσκευής”.
5. Αφαιρέστε την υπερχειλίση και κλείστε την πόρτα.
6. Για να αδειάσετε τη συσκευή, πατήστε το κουμπί “start/εκκίνηση κύκλου” που φαίνεται στο πλάι.

- Όταν αδειάσει τελείως η λεκάνη, καθαρίστε τη συσκευή όπως περιγράφεται στο κεφάλαιο “Συντήρηση”.
- Ν σβήνετε τη συσκευή κάθε φορά που αφαιρείτε την υπερχειλίση.

4.7 Αναγέννηση ρητινών

Αν η συσκευή διαθέτει εσωτερικό αποσκληρυντή, (προμηθεύεται κατόπιν αίτησης), για να αποκαταστήσετε τη σωστή λειτουργία του αποσκληρυντή, πρέπει να εκτελείτε περιοδικά την αναγέννηση των ρητινών ανταλλαγής ιόντων. Το πλήθος κύκλων που μπορούν να εκτελεστούν ανάμεσα σε δύο διαδοχικές αναγεννήσεις, καθορίζεται ανάλογα με τη σκληρότητα του νερού, σύμφωνα με τα στοιχεία του παρακάτω πίνακα.

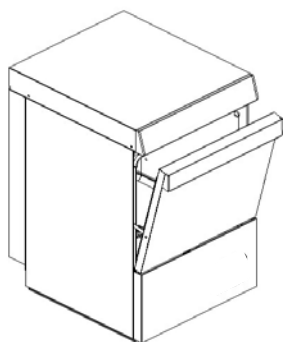
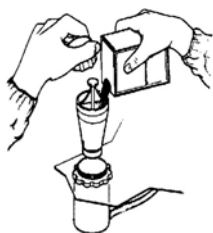
dH	F	N° Κύκλων
6,0	10	153
6,5	11	147
7,0	12	140
7,5	13	133
8,0	14	127
8,5	15	120
9,0	16	113

dH	F	N° Κύκλων
9,5	17	107
10,0	18	100
10,5	19	93
11,0	20	87
12,0	21	83
12,5	22	80
13,0	23	77

dH	F	N° Κύκλων
13,5	24	73
14,0	25	70
14,5	26	67
15,0	27	63
15,5	28	60
16,0	29	57
17,0	30	53

dH	F	N° Κύκλων
17,5	31	52
18,0	32	50
18,5	33	48
19,0	34	47
19,5	35	43

- Συνιστάται η εκτέλεση της αναγέννησης, όταν δεν πρόκειται να χρησιμοποιήσετε τη συσκευή.
- Σβήστε τη συσκευή όπως περιγράφεται στην παράγραφο “Σβήσιμο της συσκευής”.
- Αδειάστε τη συσκευή όπως περιγράφεται στην παράγραφο “Άδειασμα της συσκευής”.
- Καθαρίστε τη συσκευή όπως περιγράφεται στο κεφάλαιο “Συντήρηση”. Όταν ολοκληρώσετε τον καθαρισμό, ανοίξτε ξανά τη βρύση και ανεβάστε το γενικό διακόπτη.



- Βεβαιωθείτε πως αφαιρέσατε την υπερχειλίση.
- Ανοίξτε το δοχείο του αλατιού μέσα στη λεκάνη.
- Χύστε στο δοχείο περίπου 250 γραμμάρια αλατιού αναγέννησης (χοντρό μαγειρικό αλάτι χωρίς πρόσθετα διαμέτρου 1 ή 2 mm).
- Ξανακλείστε με δύναμη το δοχείο.
- Κλείστε την πόρτα.

- **Χωρίς να ανάψετε τη συσκευή**, πατήστε το κουμπί “λειτουργίας” μέχρι να ανάψει το αντίστοιχο “ενδεικτικό λαμπάκι κύκλου”.
- Αρχίζει ο κύκλος αναγέννησης και συνεχίζει για 20 λεπτά περίπου.

- Όταν σβήσει το ενδεικτικό λαμπάκι κύκλου, σημαίνει πως ολοκληρώθηκε η αναγέννηση.

Στο τέλος του κύκλου αναγέννησης, με άδεια λεκάνη και χωρίς υπερχειλίση, συνιστάται:

- Να ανάψετε τη συσκευή, πατώντας το κουμπί “λειτουργίας” που φαίνεται δίπλα στην εικόνα.
- Αφήστε το νερό να τρέξει για 1 λεπτό, ώστε να απομακρυνθούν τα κατάλοιπα αλατιού από τη λεκάνη.
- Σβήστε τη συσκευή, πατώντας το κουμπί λειτουργίας και ξαναβάλτε την υπερχειλίση.

Η συσκευή είναι έτοιμη για τη χρήση.

4.8 Τέλος λειτουργίας

- Στο τέλος της ημέρας αδειάζετε πάντα τη συσκευή σύμφωνα με τις οδηγίες της παρ. “Αδειασμα συσκευής”.
- **Διακόψτε την ηλεκτρική τροφοδοσία μέσω του γενικού διακόπτη και κλείστε την εξωτερική βρύση νερού.**
- Εκτελέστε την τακτική συντήρηση και καθαρίστε τη συσκευή σύμφωνα με τις οδηγίες της παρ. “Συντήρηση”.
- Εάν μπορείτε, αφήστε την πόρτα μισόκλειστη για να αποφύγετε το σχηματισμό δυσοσμίας στο εσωτερικό.

ΚΕΦ 5 ΣΥΝΤΗΡΗΣΗ



Πριν εκτελέσετε οποιαδήποτε εργασία συντήρησης, αδειάστε τελείως το νερό, όπως περιγράφεται στην παράγραφο “Αδειασμα συσκευής”, διακόψτε την ηλεκτρική τροφοδότηση κατεβάζοντας το γενικό διακόπτη και κλείστε τη βρύση του νερού.

5.1 Καθαρισμός και υγιεινή

Για να διασφαλίζεται η υγιεινή της συσκευής πρέπει να εκτελούνται όλες οι διαδικασίες τακτικής (καθημερινής), εβδομαδιαίας και ετήσιας συντήρησης που αναφέρονται στη συνέχεια. Πρέπει επίσης να εκτελείται η περιοδική απολύμανση με κατάλληλα μη διαβρωτικά προϊόντα της αγοράς.

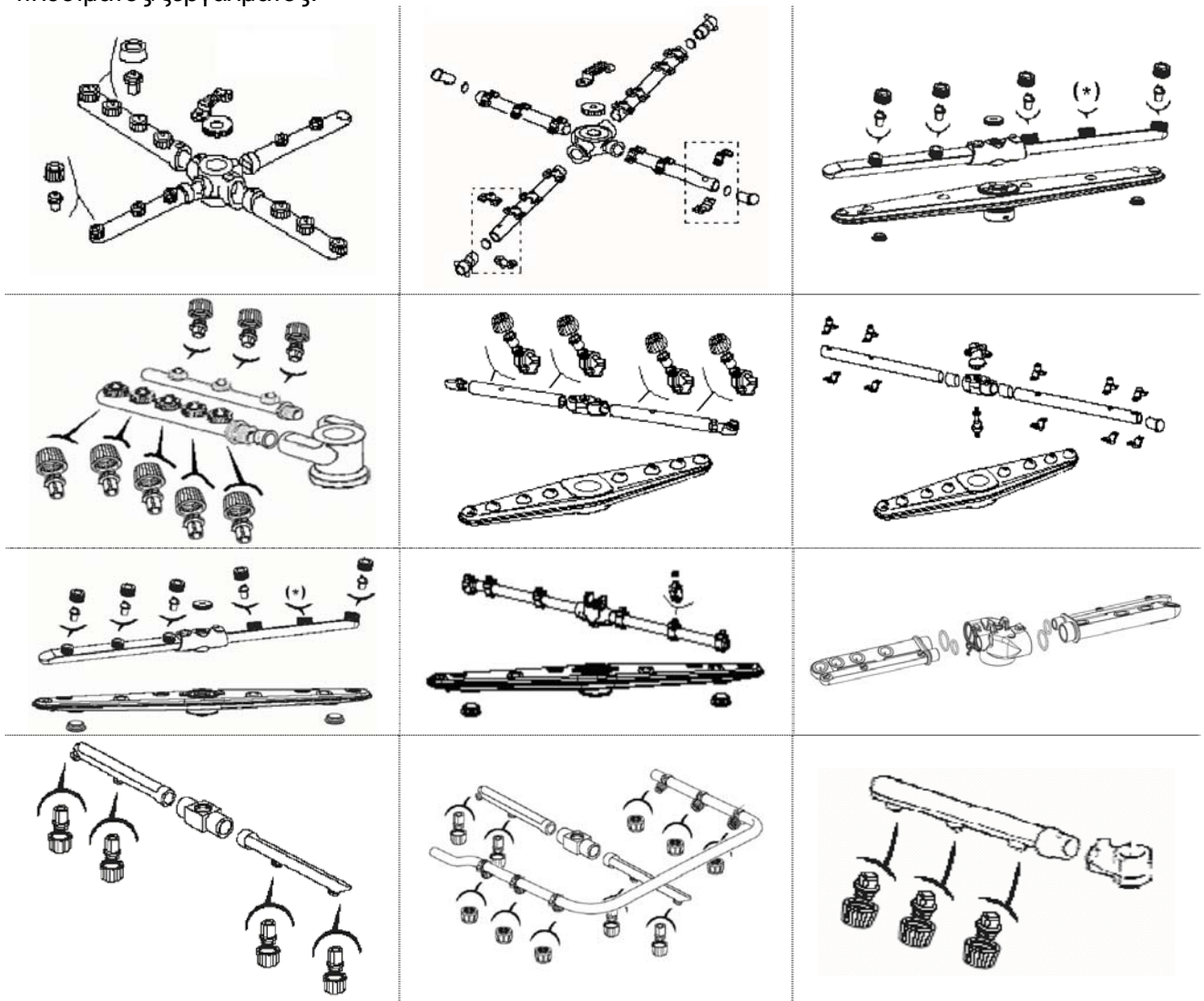
5.2 Τακτική συντήρηση (καθημερινή)

- Αν διαπιστώσετε κατάλοιπα ακαθαρσιών στο φίλτρο της λεκάνης.
- Αφαιρέστε και καθαρίστε τα καλάθια, την υπερχειλίση και το φίλτρο.
- Για να καθαρίσετε την ασάλινη λεκάνη, μην χρησιμοποιήσετε προϊόντα ή αντικείμενα που μπορεί να την χαράξουν. Χρησιμοποιήστε ένα βρεγμένο πανί με λίγο σαπούνι.
- Μη χρησιμοποιείτε νερό υπό πίεση, γιατί μπορεί να γίνει ζημιά στην ηλεκτρική εγκατάσταση.

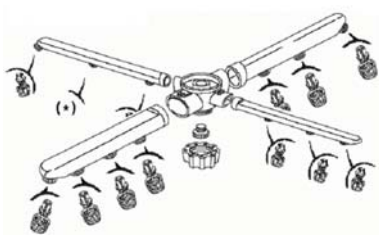
5.3 Εβδομαδιαία συντήρηση

- Εκτελέστε την τακτική συντήρηση.
- Βγάλτε και καθαρίστε τους βραχίονες και τα μπεκ πλυσίματος και ξεβγάλματος.

Στη συνέχεια απεικονίζονται οι πιθανές διατάξεις για τους πάνω και κάτω βραχίονες πλυσίματος/ξεβγάλματος.



(*) Ψεκαστήρας κλειστός. Απουσία μπεκ.



- Καθαρίστε τους πείρους περιστροφής των βραχιόνων και τη ζώνη εξόδου του νερού πλύσης και ξεβγάλματος.
- Καθαρίστε καλά τον κάδο και τη συσκευή με απολυμαντικά μη διαβρωτικά προϊόντα.
- Τοποθετήστε σωστά τα μπεκ, τους βραχίονες και τα φίλτρα προσέχοντας την κλίση και την ασφάλιση των βραχιόνων στις αντίστοιχες υποδοχές.

5.4 Ετήσια συντήρηση

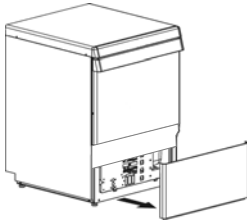
Πρέπει να γίνει έλεγχος της συσκευής από έναν εξειδικευμένο τεχνικό. Συγκεκριμένα:

- Αφαίρεση των επικαθίσεων από τη λεκάνη.
- Αποσυναρμολόγηση και πλήρης καθαρισμός των βραχιόνων και ακροφυσίων πλυσίματος και ξεβγάλματος.
- **Καθαρίστε προσεκτικά τον κατανεμητή στην κολόνα του κάτω βραχίονα πλυσίματος και την περιοχή εξόδου του νερού.**
- Ξαναβάλτε σωστά τον κατανεμητή, τον πείρο και τους βραχιόνες πλυσίματος και ξεβγάλματος.
- Έλεγχος της κατάστασης των παρεμβυσμάτων στεγανότητας και της φθοράς στα άλλα εξαρτήματα όπως αντλίες, δοσομετρητές, κ.ο.κ.
- Έλεγχος της ρύθμισης των δοσομετρητών του γυαλιστικού και του απορρυπαντικού.
- Ελέγξτε και καθαρίστε τις αντιστάσεις, αν χρειάζεται.

Αν η συσκευή πρέπει να μείνει αχρησιμοποίητη για μεγάλα χρονικά διαστήματα πρέπει να την προετοιμάσετε κατάλληλα. Αν όταν την ξανανάψετε υποψιάζεστε παρουσία πάγου, μην την χρησιμοποιήσετε αν δεν προηγηθεί επιθεώρηση του boiler (θερμοδοχείου) και των σωλήνων, από έναν εξειδικευμένο τεχνικό.

ΚΕΦ 6 ΡΥΘΜΙΣΗ ΚΑΙ ΕΛΕΓΧΟΙ

Οι παρακάτω εργασίες ρύθμισης και ελέγχου, πρέπει να γίνουν αποκλειστικά από καταρτισμένο και εξουσιοδοτημένο προσωπικό, με τη μέγιστη φροντίδα και προσοχή, λαμβάνοντας τα κατάλληλα προληπτικά μέτρα, αν αποκλειστούν οι διατάξεις ασφαλείας της συσκευής.



6.1 Δοσομετρητές



Πριν προχωρήσετε στη **βαθμονόμηση**, πρέπει να γεμίσετε το δοσομετρητή ή τους δοσομετρητές και τους σωλήνες τροφοδοσίας. Η βαθμονόμηση γίνεται διαμέσου των αντίστοιχων ρυθμιστικών βιδών που είναι προσπελάσιμες με την αποσυναρμολόγηση της πρόσοψης, κάτω από την πόρτα της λεκάνης.

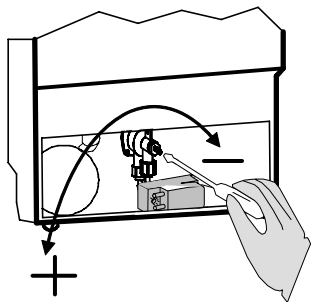


- Η εγγύηση δεν καλύπτει τις βλάβες που οφείλονται σε λανθασμένη χρήση του ή των δοσομετρητών ή στην περίπτωση λανθασμένης δοσομέτρησης με το χέρι.
- Η επιλογή και η δοσομέτρηση του απορρυπαντικού και του γυαλιστικού είναι καθοριστικοί για το καλό αποτέλεσμα του πλυσίματος και για τη διάρκεια ζωής της συσκευής. Χρησιμοποιείτε μονάχα υγρά προϊόντα για βιομηχανικό πλύσιμο με περιορισμένο σχηματισμό αφρού.
- Οι ρυθμίσεις πρέπει να γίνουν με ζεστή συσκευή και με καλά δοσομετρημένο προϊόν.



6.1.1 Δοσομετρητής γυαλιστικού

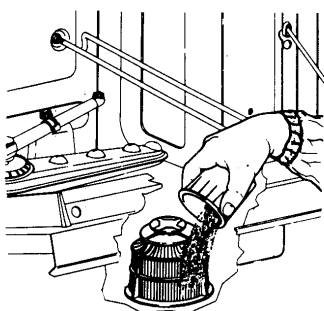
Η στάθμη του γυαλιστικού στο δοχείο πρέπει να είναι επαρκής. Δεν πρέπει ποτέ να κατέβει υπερβολικά ούτε να προστεθούν διαβρωτικά ή πρόσμικτα προϊόντα. Για να γεμίσετε το σωλήνα τροφοδοσίας και το δοσομετρητή, ανάψτε τη συσκευή, ξεκινήστε τον κύκλο πλυσίματος, περιμένετε 20 δευτερόλεπτα και πατήστε το κουμπί “λειτουργίας”  /  για 8-10 φορές με παύσεις 10 δευτερολέπτων. Κρατήστε το πατημένο για να ολοκληρωθεί ο κύκλος πλυσίματος.



- Γυρίζοντας προς τα δεξιά τη ρυθμιστική βίδα, η ποσότητα του παρεχόμενου γυαλιστικού μειώνεται, ενώ αυξάνει γυρίζοντας την προς τα αριστερά.
 - Προκειμένου να έχετε μια ένδειξη για την ποσότητα του προϊόντος που απαιτείται στην πρώτη ρύθμιση, λάβετε υπόψη τις δόσεις που προτείνει ο προμηθευτής του επιλεγμένου προϊόντος.
 - Η ρύθμιση βελτιώνεται, αξιολογώντας τα αποτελέσματα ξεβγάλματος που επιτυγχάνονται μετά τουλάχιστον τρεις κύκλους, προκειμένου να σταθεροποιηθούν.
- Γραμμώσεις στα σκεύη και σχηματισμός αφρού στο απορρυπαντικό διάλυμα, δείχνουν περίσσεια γυαλιστικού. Σκεύη με σταγόνες νερού και αργό στέγνωμα, δείχνει ανεπάρκεια γυαλιστικού.
 - Προκειμένου να επιτύχετε τα καλύτερα αποτελέσματα χρησιμοποιείτε μονάχα γυαλιστικά, για τα οποία η δόση που συνιστά ο παραγωγός είναι μικρότερη από 1,5 γρ./λίτρο.
 - 7,9 cm σωληνάριου = 1 ml προϊόντος (=1 γρ. προϊόντος με πυκνότητα ίση με 1 kg/dm³). Το νερό που χρησιμοποιείται για το ξέβγαλμα είναι περίπου 3 λίτρα/κύκλο.
 - Μην αλλάζετε τη διαφορά ύψους ανάμεσα στο μπιτόνι και τη βάση της συσκευής, αφού ρυθμίσετε τη δοσομέτρηση.
 - Αν η διαφορά ύψους ανάμεσα στο μπιτόνι και στη βάση της συσκευής είναι μεγαλύτερη από 80 cm, ο δοσομετρητής δεν μπορεί να λειτουργήσει σωστά.
 - Εάν δεν χρησιμοποιείτε λαμπρυντικό, κλείστε τελείως τη βίδα ρύθμισης του δοσομετρητή.

6.1.2 Συσκευή χωρίς δοσομετρητή απορρυπαντικού

Η δοσομέτρηση με το χέρι δεν συνιστάται, δεδομένου ότι δεν εξασφαλίζει τα βέλτιστα αποτελέσματα ενός αυτόματου δοσομετρητή. Αν δεν χρησιμοποιηθεί ένας αυτόματος δοσομετρητής, βάλτε το απορρυπαντικό στην περιοχή του φίλτρου αναρρόφησης της αντλίας κάθε 5 κύκλους, σύμφωνα με τη δόση που συνιστά ο κατασκευαστικός οίκος. Λάβετε υπόψη τα τεχνικά χαρακτηριστικά για να καθορίσετε την ποσότητα νερού στη λεκάνη. Η ποσότητα του νερού για το ξέβγαλμα είναι 3 λίτρα περίπου. Σε κάθε γέμισμα, προσθέστε τη δόση για την ποσότητα του νερού στη λεκάνη και τα 5 επόμενα ξεβγάλματα. Για τις επόμενες δόσεις, θα προσθέσετε μονάχα όταν το απορρυπαντικό απαιτείται για τα ξεβγάλματα.

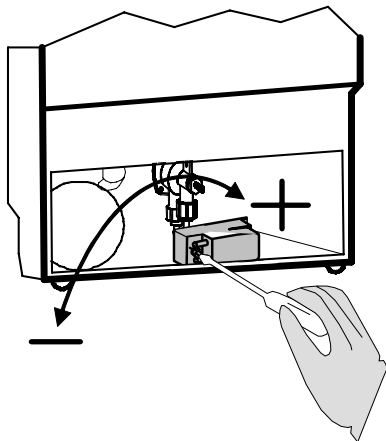


Συνιστάται πάντα η εγκατάσταση του δοσομετρητή απορρυπαντικού.



6.1.3 Συσκευή με δοσομετρητή απορρυπαντικού (προμηθεύεται κατόπιν παραγγελίας)

Η στάθμη του απορρυπαντικού στο δοχείο πρέπει να είναι επαρκής. Δεν πρέπει ποτέ να κατέβει πολύ χαμηλά, ούτε πρέπει να προστίθενται διαβρωτικά ή πρόσμικτα προϊόντα. Για να γεμίσετε το σωλήνα τροφοδοσίας, ανάψτε τη συσκευή και κάντε το πρώτο γέμισμα με συνδεδεμένο δοσομετρητή.



- Γυρίζοντας προς τα αριστερά τη ρυθμιστική βίδα, μειώνεται η ποσότητα του παρεχόμενου απορρυπαντικού, ενώ γυρίζοντάς την προς τα δεξιά αυξάνει (από 1÷1,5 ml για ξέβγαλμα ανά σημάδι, που αντιστοιχούν περίπου σε 1,2÷1,8 γρ. προϊόντος με πυκνότητα ίση με 1,2 kg/dm³). Λάβετε υπόψη τα τεχνικά χαρακτηριστικά για να καθορίσετε την ποσότητα νερού στη λεκάνη.
 - Προκειμένου να έχετε μια ένδειξη για την ποσότητα του προϊόντος που απαιτείται στην πρώτη ρύθμιση, λάβετε υπόψη τις δόσεις που προτείνει ο προμηθευτής του επιλεγμένου προϊόντος.
 - Η ρύθμιση βελτιώνεται αξιολογώντας τα αποτελέσματα πλυσίματος που επιτυγχάνονται μετά τουλάχιστον τρεις κύκλους, προκειμένου να σταθεροποιηθούν.
- **Στο τέλος του κύκλου, δεν πρέπει να υπάρχει αφρός μέσα στη λεκάνη.**
 - Στην περίπτωση που διαπιστώσετε αφρό, ελέγξτε κατ' αρχήν τον τύπο του χρησιμοποιούμενου απορρυπαντικού, και αντικαταστήστε το αν χρειάζεται με ένα άλλο πιο κατάλληλο. Αν συνεχίζει να σχηματίζεται αφρός, ελέγξτε αν είναι σωστή η θερμοκρασία του νερού στο δοχείο και μειώστε αν χρειάζεται την ποσότητα του απορρυπαντικού μέχρι να εξαλειφθεί τελείως ο αφρός.
 - Με τους προμηθευόμενους δοσομετρητές μπορείτε να χρησιμοποιήσετε μονάχα τα απορρυπαντικά, για τα οποία η συνιστώμενη δόση από τον προμηθευτή είναι μικρότερη από 5γρ./λίτρο.

ΚΕΦ 7 ΑΠΟΣΥΝΔΕΣΗ ΣΥΣΚΕΥΗΣ



Η αποσύνδεση της συσκευής μπορεί να γίνει αποκλειστικά από εξουσιοδοτημένο και εξειδικευμένο τεχνικό προσωπικό.

- Κατεβάστε το γενικό διακόπτη για να διακόψετε την ηλεκτροδότηση της συσκευής.
- Κλείστε την εξωτερική βρύση υδροδότησης της συσκευής.
- Αποσυνδέστε τελείως τη συσκευή από τα δίκτυα υδροδότησης και ηλεκτροδότησης.
- Αδειάστε, καθαρίστε και προετοιμάστε τελείως όλα τα εσωτερικά υδραυλικά κυκλώματα, τους δοσομετρητές, τις αντλίες και το θερμοδοχείο.
- Αδειάστε εντελώς τους δοσομετρητές απορρυπαντικού και λαμπρυντικού και τους συνδεδεμένους σωλήνες τους, διαθέτοντας σωστά το απορρυπαντικό και το λαμπρυντικό (απευθυνθείτε στον προμηθευτή των χρησιμοποιούμενων προϊόντων)

ΚΕΦ 8 ΔΙΑΘΕΣΗ

Οι συσκευές μας δεν έχουν υλικά που απαιτούν ειδικές διαδικασίες διάθεσης αποβλήτων.

8.1 ΣΩΣΤΗ ΔΙΑΘΕΣΗ ΤΟΥ ΠΡΟΪΟΝΤΟΣ ΩΣ ΑΠΟΒΛΗΤΟ

(ηλεκτρικά και ηλεκτρονικά απόβλητα)



(Εφαρμοστέο στις χώρες της Ευρωπαϊκής Ένωσης και στις χώρες με διαχωρισμένο σύστημα αποκομιδής)

Το σήμα που αναγράφεται επάνω στο προϊόν ή στα έγγραφα του δείχνει ότι το προϊόν δεν πρέπει να απορριφθεί μαζί με άλλα οικιακά απόβλητα στο τέλος του κύκλου ζωής του. Προς αποφυγή ενδεχόμενων ζημιών στο περιβάλλον ή για την υγεία που οφείλονται στην ακατάλληλη διάθεση των αποβλήτων, ο χρήστης καλείται να διαχωρίσει το προϊόν αυτό από άλλους τύπους αποβλήτων και να το ανακυκλώσει με υπεύθυνο τρόπο ώστε να βοηθήσει την αειφόρο αξιοποίηση των υλικών πόρων.

Οι χρήστες από κατοικίες καλούνται να επικοινωνήσουν με το κατάστημα πώλησης από το οποίο αγόρασαν το προϊόν ή την αμρόδια τοπική υπηρεσία για όλες τις πληροφορίες που αφορούν την διαχωρισμένη αποκομιδή και την ανακύκλωση γι' αυτόν τον τύπο προϊόντος. Οι χρήστες από επιχειρήσεις καλούνται να επικοινωνήσουν με τον προμηθευτή τους και να ελέγξουν τους όρους και τις προϋποθέσεις της σύμβασης αγοράς. Το προϊόν αυτό δεν πρέπει να διατεθεί ως απόβλητο μαζί με άλλα εμπορικά απόβλητα.